

Conservatory awning

WGM Top

WGM Top Stretch | OptiStretch

Thanks to its flexible construction the **WGM Top** from weinor fits over almost any building project, from wooden, aluminium or steel patio roof, to the weinor Glasoase® and warm conservatory. It reliably protects against overheating, thus contributing to a pleasant atmosphere. The WGM Top also has quite a bit to offer in terms of design. With its slimline profiles, almost screwless look and a huge variety of fabric patterns and frame colours it integrates subtly into the overall appearance of the building facade.



Attractive design:
Slimline, no visible fixings



Receiver housing on top:
The BiConnect receivers are housed on top of the cassette making it easy to access for maintenance purposes



weinor carriage system:
Quiet and easy running



New flat rope:
Quiet and extremely tear-resistant

Flexible support brackets:

The awning height can be individually adjusted thanks to the different support bracket versions (fixed/adjustable, standard/special version)



Fixed support bracket top in 4 heights: 80, 120, 150 and 220 mm



Adjustable support bracket top in 3 heights: 120–165, 165–210 and 210–255 mm



Adjustable support bracket top for multi-section units in 3 heights: 120–165, 165–210 and 210–255 mm

WGM Top Highlights



04



The best protection:
Can be combined with a sun/wind sensor



Ideal for large areas – especially commercial applications:
Ideal for covering very large areas, especially in the commercial sector

Exciting versions

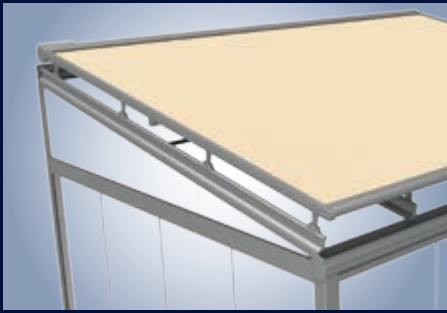


WGM Top OptiStretch:
Held captive on 4 sides,
no light gap



WGM Top Stretch:
Held captive 2 sides,
inexpensive

WGM Top Benefits



An ideal atmosphere under any conservatory or on any glass roof

The WGM Top can be retrofitted to a whole range of different un-trussed roofs. It fits perfectly on a weinor Glasoase®, as well as on a warm conservatory and on a wooden or aluminium patio roof. It protects against overheating, thus contributing to a pleasant atmosphere. The WGM Top impresses due to its slim, elegant design with almost no visible fixings.

- Suitable for larger cross sections and dimensions up to 36 m²
- Wind-resistant up to wind force 6 on the Beaufort scale
- Elegant design without any visible screws, caps or fixings



Reliable tension system – with new quiet flat rope

The tried and tested tension system is used with the WGM Top with a new flat and at the same time tear-resistant rope. The rope winds up extremely quietly over itself instead of side by side. This prevents the rope from bouncing.

- Long-lasting equalised fabric tautness with pulley block technology
- The flat rope is quiet and tear-resistant. It prevents the rope from twisting and bouncing and does not fray on the sides.



Tried and tested weinor carriage system

The tried and tested carriage impresses with highly-precise and quiet running.

- Precision rollers for reduced rolling friction, resulting in very easy and quiet extension and retraction
- Accurate guiding of the flat rope in the carriage
- Loose-fitting bearing on carriage prevents it from jamming in side winds



Supporting brackets for every requirement

The conservatory awning's support brackets top impress with their subtle and almost screwless look. The awning height can be individually adjusted thanks to the different versions (fixed, adjustable, standard and special version). Even several WGM 2030 support brackets are compatible with the WGM Top.

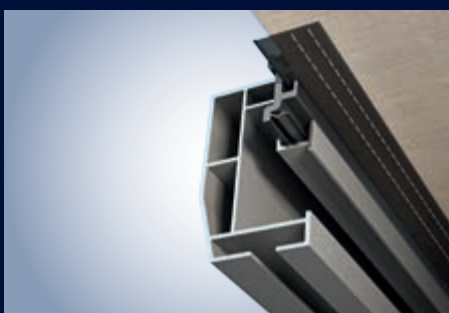
WGM Top Benefits



Receiver housing on top:

The well designed and positioned housing is positioned on top of the cassette for ease of access.

- Easier access to the motor input and components
- The programming of the drive's end positions is made easier by the housing position
- Decoupling of the wind sensors during maintenance



Clever Stretch and OptiStretch versions

Stretch WGM Top: the consistent tension and fabric position creates a cosy atmosphere.

- Held captive on 2 sides, cost effective solution, easy to install
- OptiStretch WGM Top:** excellent tension without any light gaps or sagging fabric edges. In very large constructions, it reduces the central sagging of the fabric during extension and retraction.

- Held captive on 4 sides, no light gap
- Long-lasting equalised fabric tautness with pulley block technology
- The flat rope is quiet and tear-resistant. It prevents the rope from twisting and bouncing and does not fray on the sides.



Multi-section units – for large cross sections and dimensions

The maximum size of a WGM Top is 6,500 x 5,000 mm or 6,000 x 6,000 mm. The individual units installed next to each other have a separate motor drive and can thus be retracted and extended separately.



BiSens sun, wind and rain sensors

BiSens radio sensors provide maximum convenience. They open the awning automatically when the sun comes out and retract it in the rain and wind.

Available in the following versions:

- Sun, wind and rain sensor
- Sun/wind sensor
- Sun sensor

WGM Top Technology

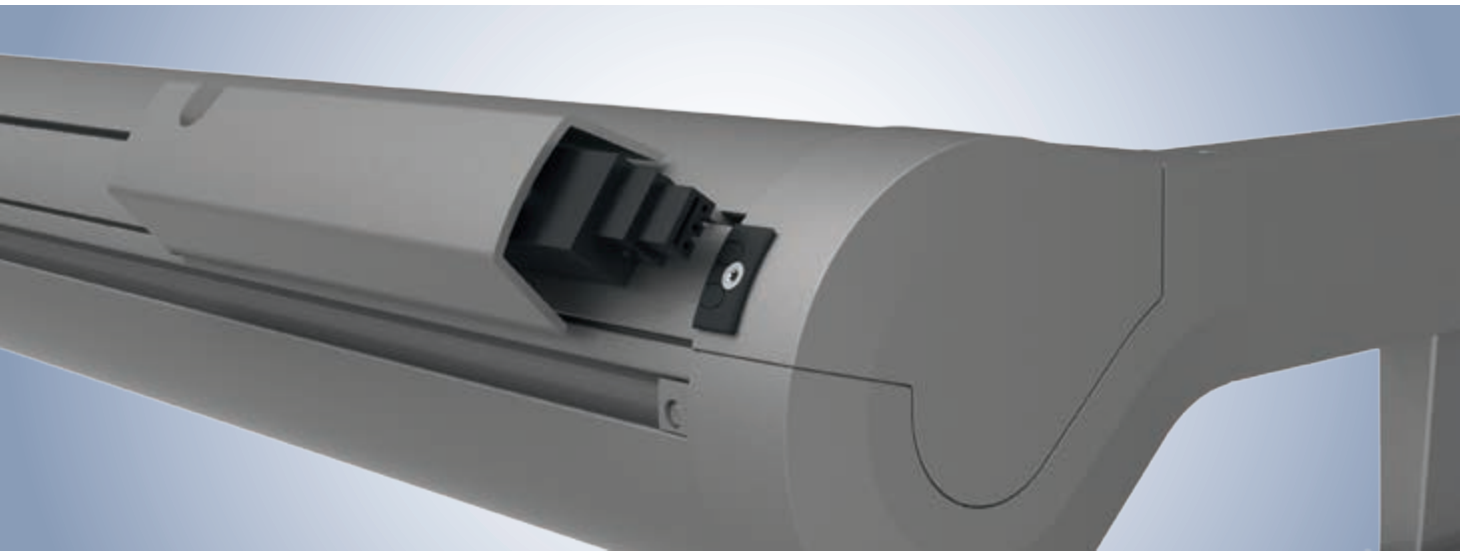
WGM Top versions	WGM Top Stretch	OptiStretch Top conservatory awning
Technology		
Max. axial dimension for 1 unit (width: axial dimension + 61 mm)	6,500/6,000 mm	6,500/6,000 mm
Max. projection	5,000/6,000 mm	5,000/6,000 mm
Max. fabric area	36 m ²	36 m ²
Cassette size (height x depth)	166 x 323 mm	166 x 323 mm
Motor drive	● as standard	● as standard
Gear drive	—	—
Pitch	at least 3°	at least 3°
Installation alternatives	See WGM Top installation section	See WGM Top installation section
Lighting	—	—
Accessories		
Fixing materials	see WGM Top installation section	see WGM Top installation section
Controls		
Radio control	○	○
No remote	●	●
Weather sensors		
Sun/wind sensor BiConnect BiSens SW-230 V	○	○
Sun/wind sensor solar powered BiConnect BiSens SW-Solar	○	○
Sun/wind/rain sensor BiConnect-BiSens-SWR-230V	○	○
Quality		
Tested up to	wind force 6 on the Beaufort scale and wind resistance class 3* according to DIN 13561	

* The wind resistance class applies with a supporting bracket height of max. 220 mm (fixed support bracket) and/or 265 mm (adjustable support bracket).

● standard ○ optional — unavailable

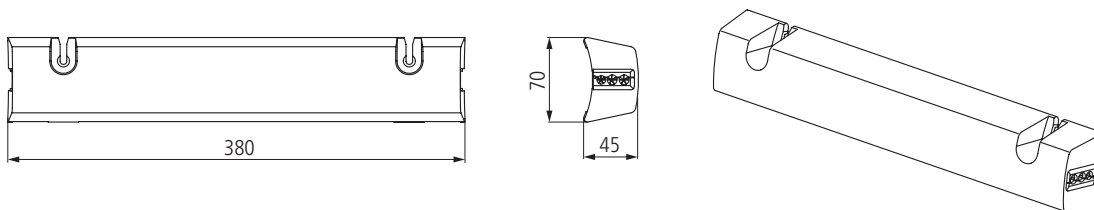


WGM Top Controls



Receiver housing on top:

The cleverly designed housing is positioned on top of the cassette for easy access for maintenance purposes and gives simple access to the motor. The control box allows for easy access, for example to program the drive's end positions. The wind sensors can also be decoupled during maintenance.



The WGM Top from weinor is only available with motor drive. On the basis of radio technology, it can be controlled using the weinor BiConnect or the Somfy RTS and io-homecontrol® systems. A wired version is also available.

weinor BiConnect radio technology

Product	Electronics	BiConnect control	Remote receiver	Transmitter
WGM Top	WGM Top drive	<ul style="list-style-type: none"> • BiRec receiver integrated into control box 	BiRec MA-K	<ul style="list-style-type: none"> • BiEasy 1M/5M/15M Go! hand transmitter • App • 1MW-3V wall transmitter

WGM Top Controls

Somfy RTS radio technology

Product	Electronics	Somfy RTS control	Remote receiver	Transmitter
WGM Top	WGM Top drive	<ul style="list-style-type: none"> Somfy RTS receiver integrated into control box 	Somfy Universal Receiver RTS	<ul style="list-style-type: none"> Telis 1 RTS Pure/Telis 1 Soliris RTS Pure/Telis 4 RTS Pure/Telis 4 Soliris RTS Pure hand transmitter Smoove 1 wall transmitter

Somfy io-homecontrol® radio technology

Product	Electronics	Somfy io-homecontrol control	Remote receiver	Transmitter
WGM Top	WGM Top drive	<ul style="list-style-type: none"> Somfy io remote-controlled motor integrated into control box 	Somfy io remote-controlled motor	<ul style="list-style-type: none"> Situo 1 io Pure/Situo 5 io Pure/Situo 5 io Pure Variation A/M hand transmitter Smoove 1 io Pure Shine wall transmitter

Hard wired with Somfy control

Product	Electronics	Firmly wired Somfy control	Controls
WGM Top	WGM Top drive	<ul style="list-style-type: none"> Somfy control for awning drive 	e.g. Soliris Smoove Uno

Hard wired (existing switch/power supply on site)

Product	Electronics	Firmly wired control	Controls
WGM Top	WGM Top drive	<ul style="list-style-type: none"> Awning commutator for the awning drive 	e.g. Double rocker switches (on site)

Note:

Please see the "Accessories" technical brochure for further details regarding the drive and control.

Some options are subject to a surcharge. For prices, please refer to the weinor awnings price list.



WGM Top Stretch/OptiStretch

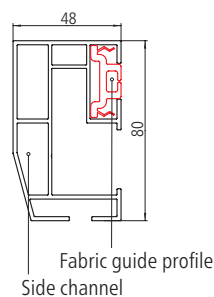
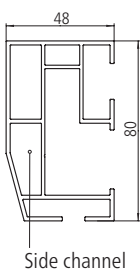
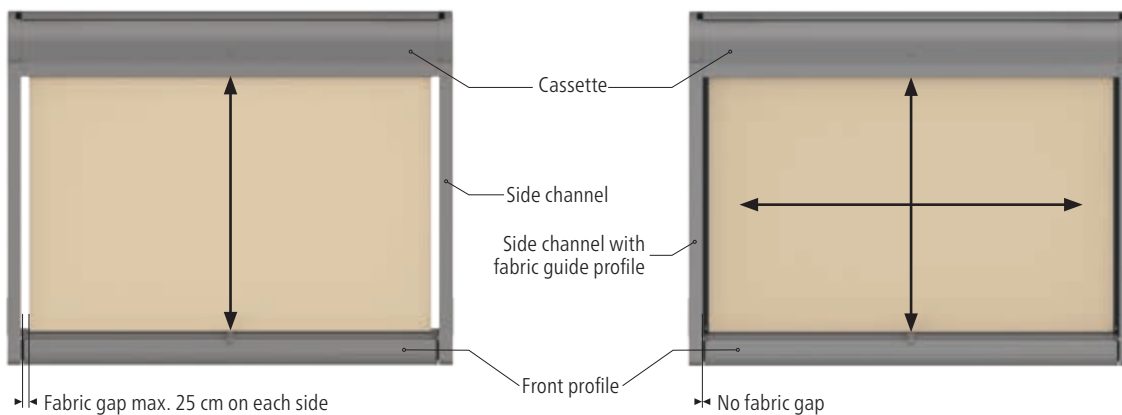
The Stretch and OptiStretch system in comparison



The **WGM Top Stretch** and **OptiStretch** consist of identical frame constructions and use the same tried and tested weinor tension system with a new flat rope that winds up extremely quietly. The fabric guide is the difference between the two systems. In the Stretch system, the fabric is tensioned between the fabric roller bearing and the front profile in the ascending direction, while in the OptiStretch, the fabric is additionally guided sideways in the guide rail. The WGM Top OptiStretch thus achieves a significantly higher degree of fabric tensioning.

The Stretch system

The OptiStretch system

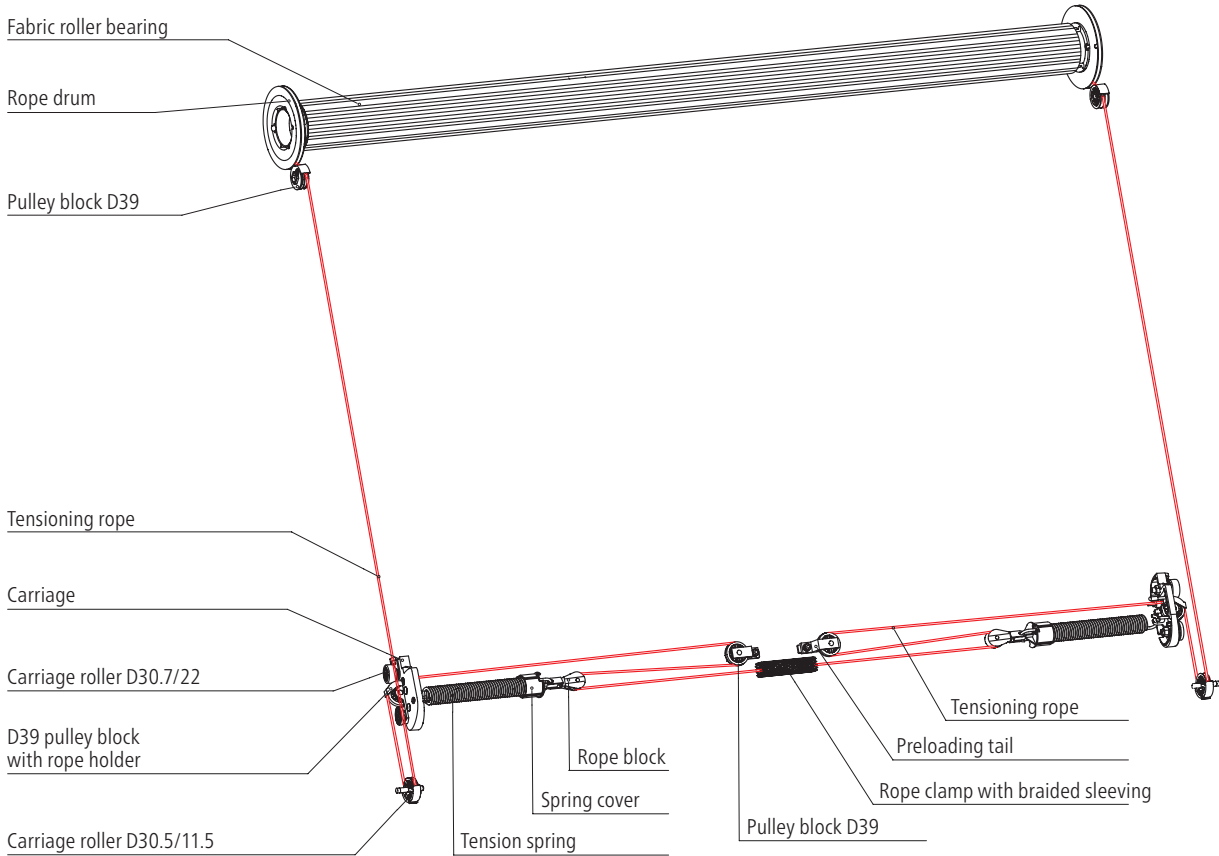


- Held captive on 2 sides
- Cost-effective solution
- Easy installation
- Fabric gap up to 25 mm
- Good fabric tautness also for Soltis® fabrics

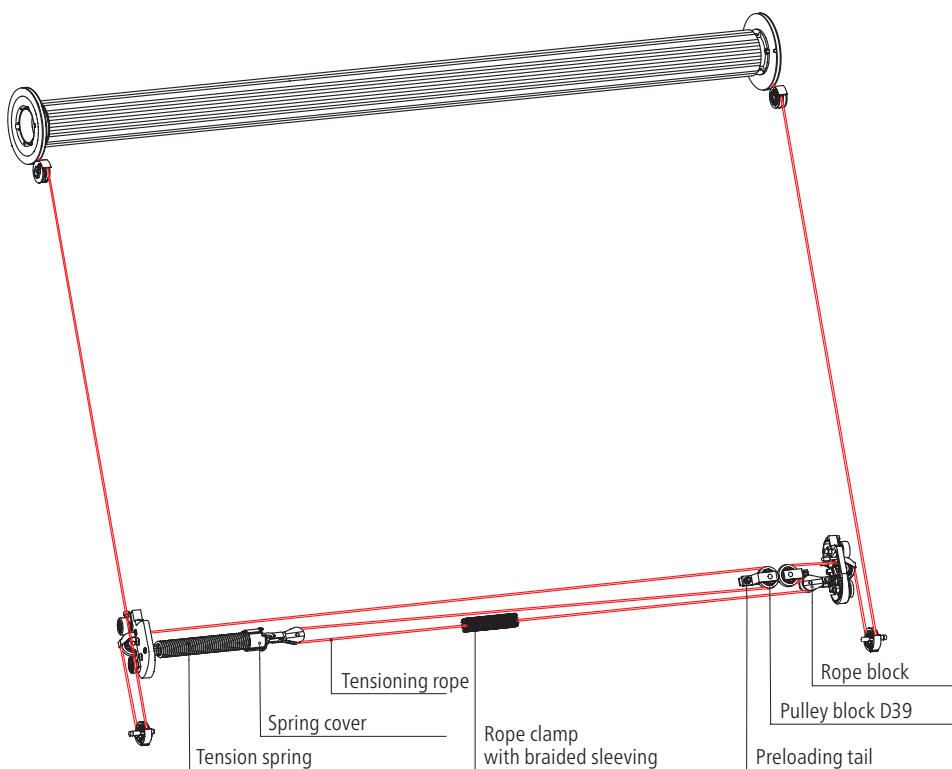
- Held captive on 4 sides
- No edges hanging down the sides
- No light gap
- Soltis® fabrics are not available for the OptiStretch version

Fabric tensioning technology Rope clamping system

Tension system with 2 tensioned springs (number of springs depends on the projection and width)

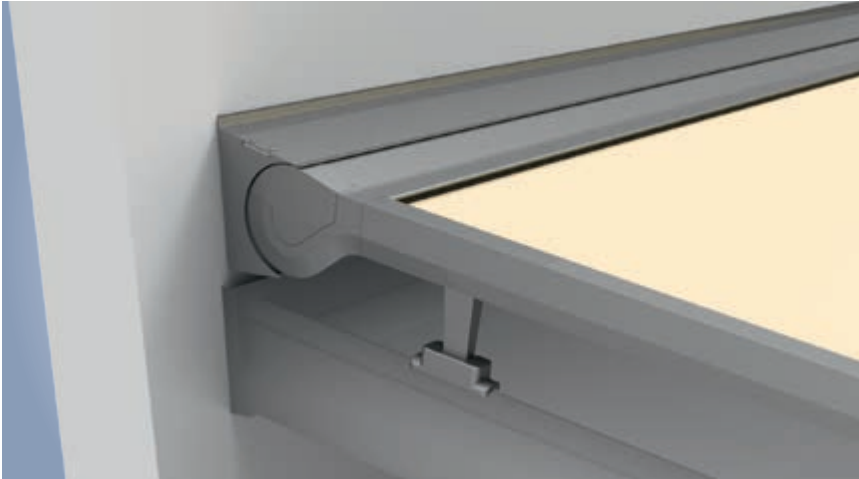


Tension system with 1 tensioned spring (depends on projection and length of spring)



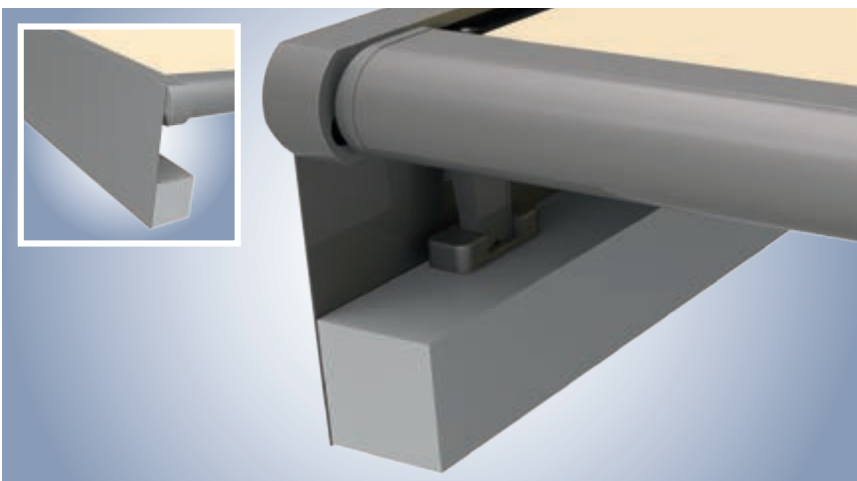
WGM Top Planning

Wall sealing profile (optional)



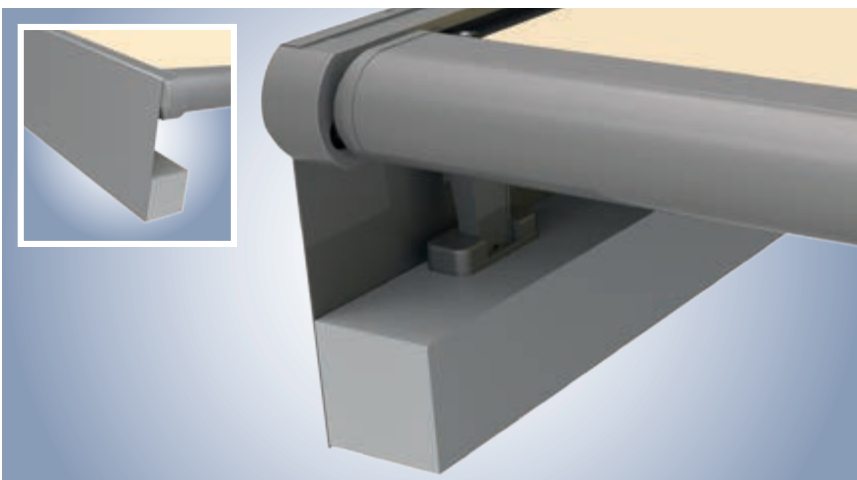
The wall sealing profile* conceals the gap between the wall and the cassette. This is a useful option if there is no on-site protection above the cassette, e.g. a roof overhang.

Side cover plates form A/form B (option)



Side cover plate form A

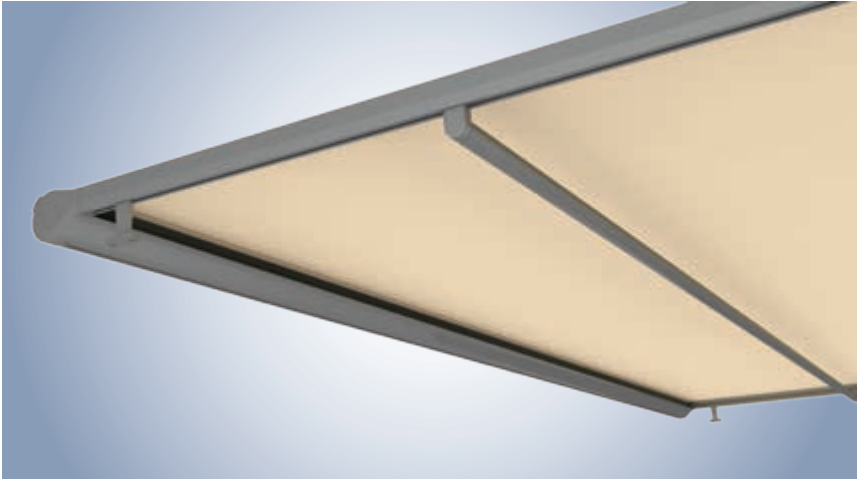
The cover plates prevent light coming in on the sides. They are always supplied to fit the support bracket height and 3000 mm long and are trimmed on site. They are available selectively in a flat version (form A) and folded at 90° with a fold edge of 20 mm.



Side cover plate form B

* Please note that the wall sealing profile cannot be used in conjunction with the receiver housing. Instead the Hirschmann coupling can be attached under the wall profile using clips. The receiver housing can only be used when there is a clearly defined gap between the cassette housing and the wall or when fixing with a wall bracket.

Use of fabric support roller at bottom



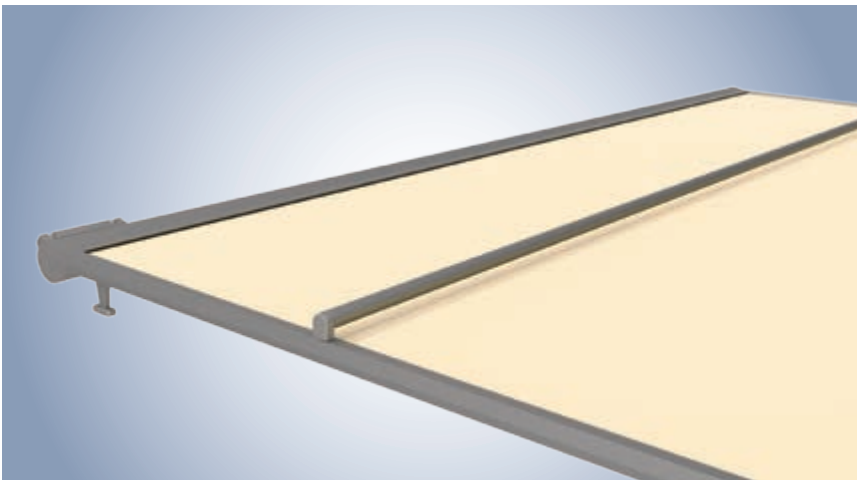
A fabric support roller is used under the WGM Top as standard with 4001 mm or more. The use of fabric support rollers depends on the support bracket height (generally a fabric support roller cannot be used with 80 mm support brackets).

The use of additional support brackets and fabric support rollers is recommended:

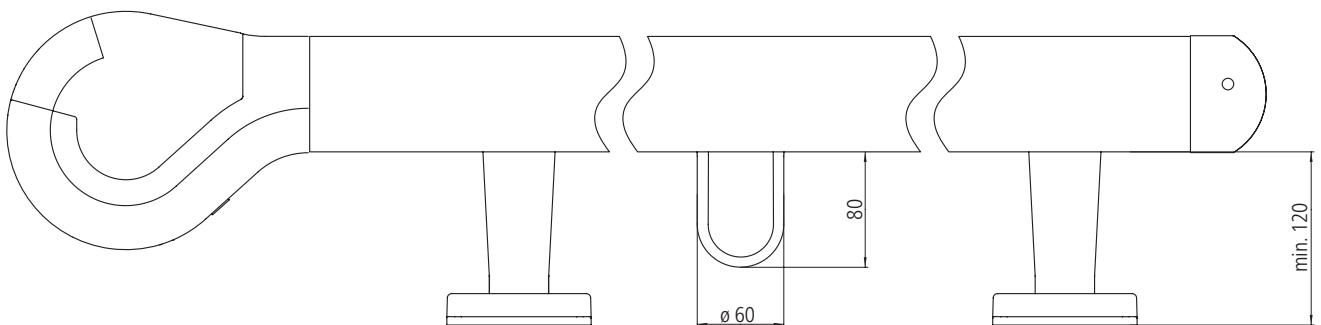
- In strong winds
- With weak substructures

04

Use of fabric support roller at top



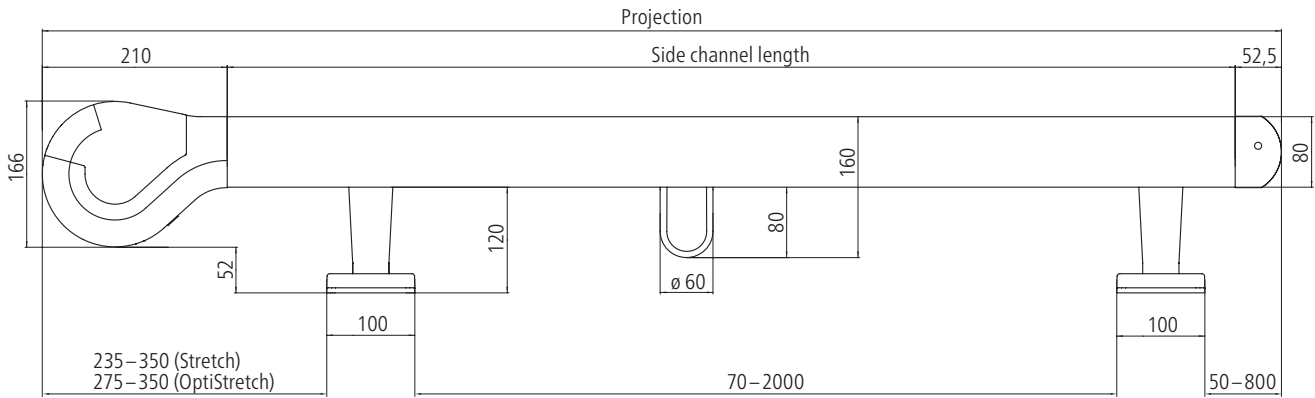
An additional fabric support roller can also be installed above the fabric on request.



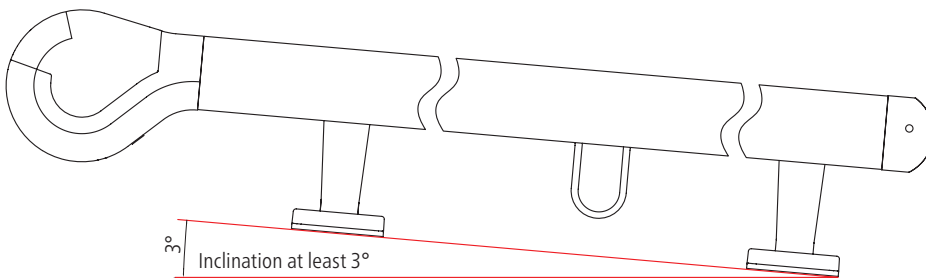
WGM Top Planning

Overall views of individual units

Side view of individual unit

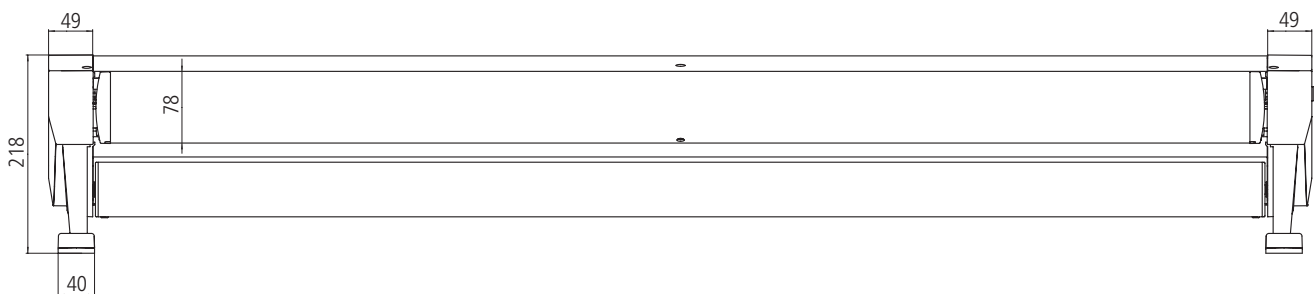


The WGM Top with 120 mm high support bracket – when determining the assembly height take obstacles such as rain gutters etc. into account.



Min. tilt 3°

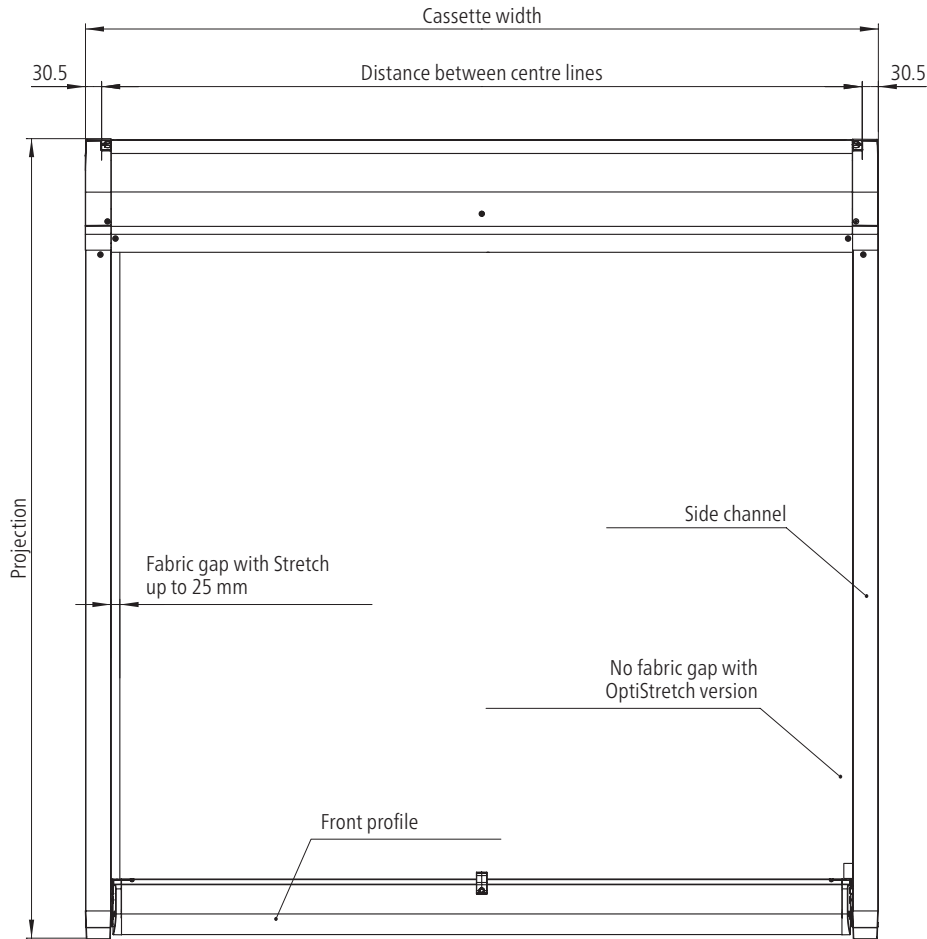
Front view of individual unit



WGM Top with 120 mm high support bracket

Overall views of individual units

Top view of individual unit



Determining dimensions for individual unit

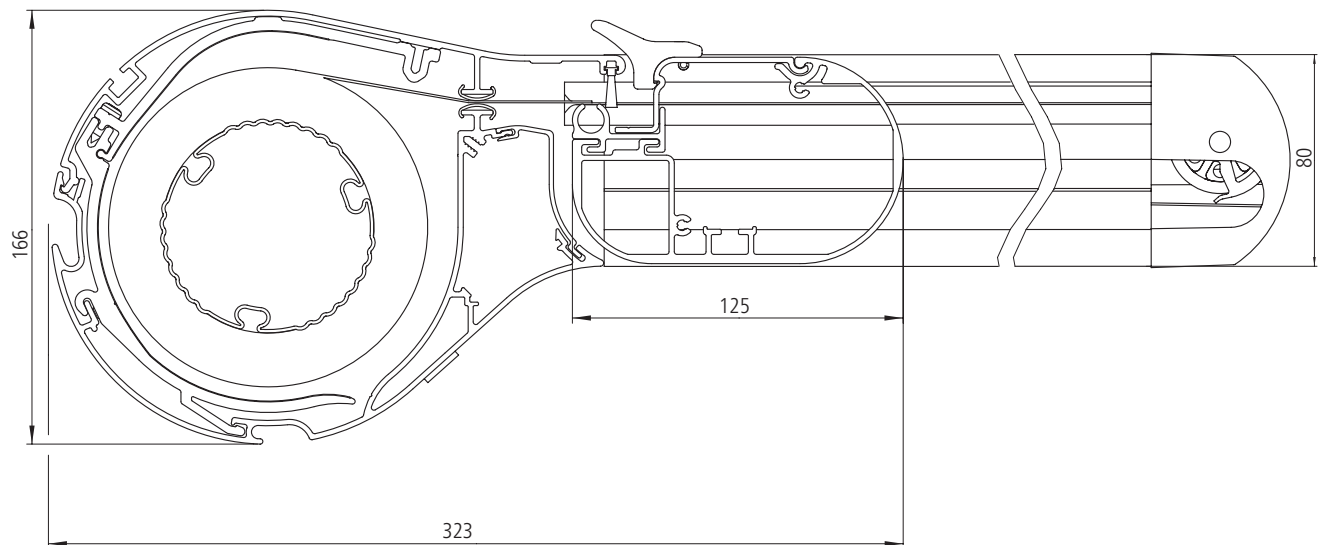
Projection:

rear edge of cassette to leading edge of side channel

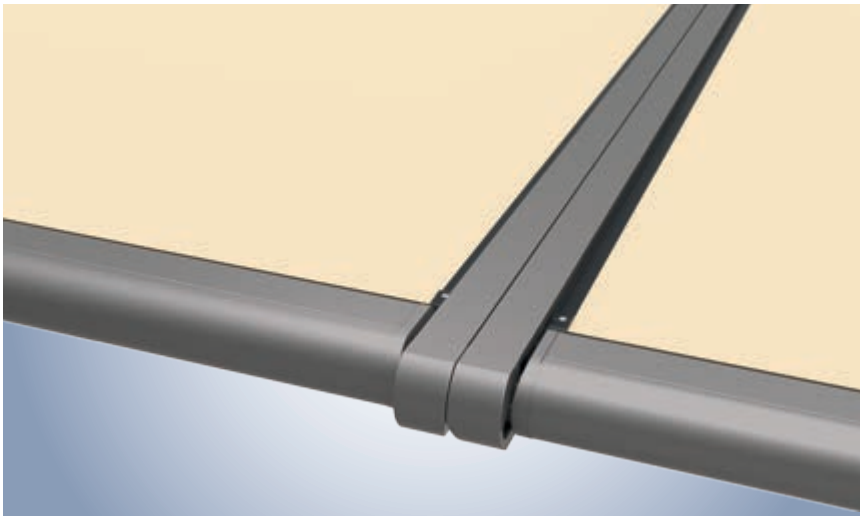
Distance between centre lines:

cassette width minus 61 mm (2 x 30.5 mm)

WGM Top cross section

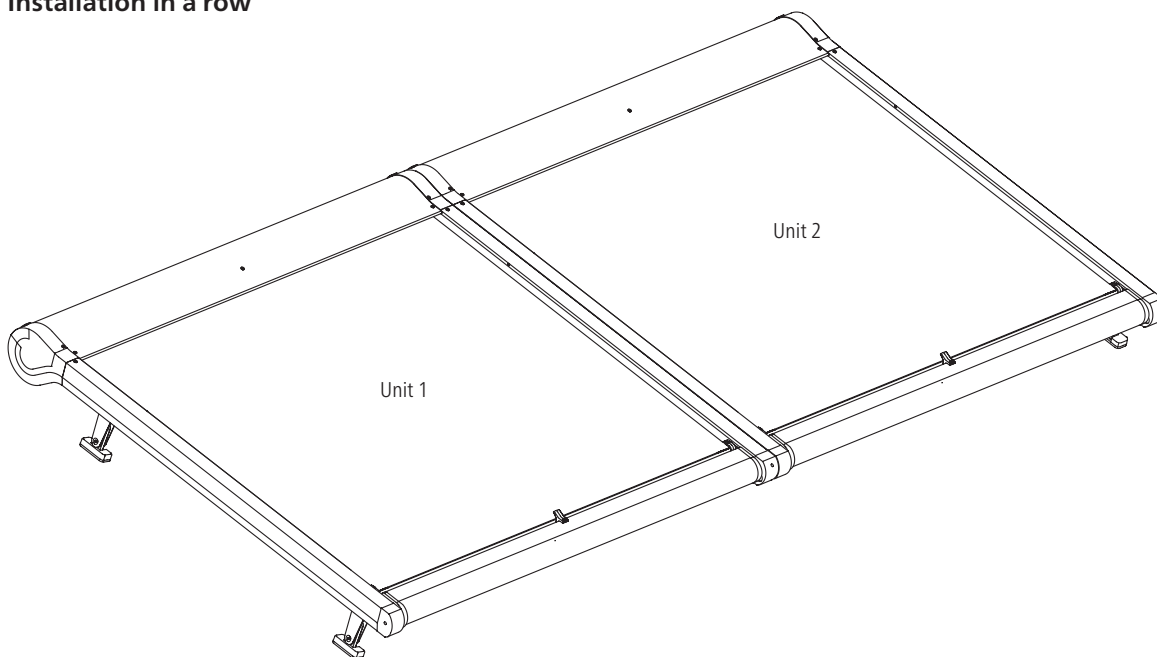


Multi-section unit



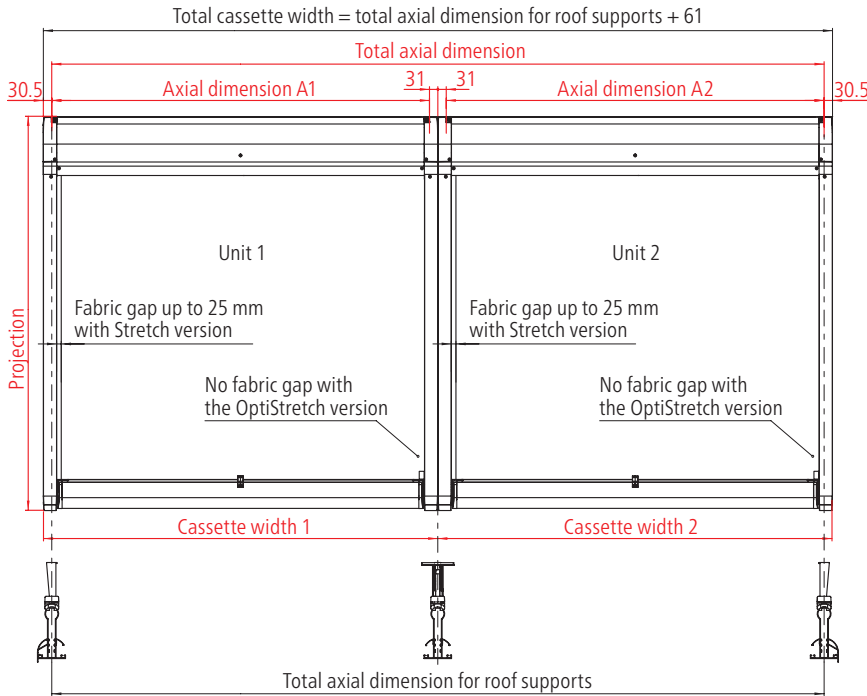
The maximum size of the WGM Top is 6,500 x 5,000 mm or 6,000 x 6,000 mm. Wider systems can be extended easily to become a multi-section unit by placing individual units next to each other. The individual units installed next to each other have a separate motor drive and can thus be retracted and extended separately.

Installation in a row



Determining dimensions for multi-section units

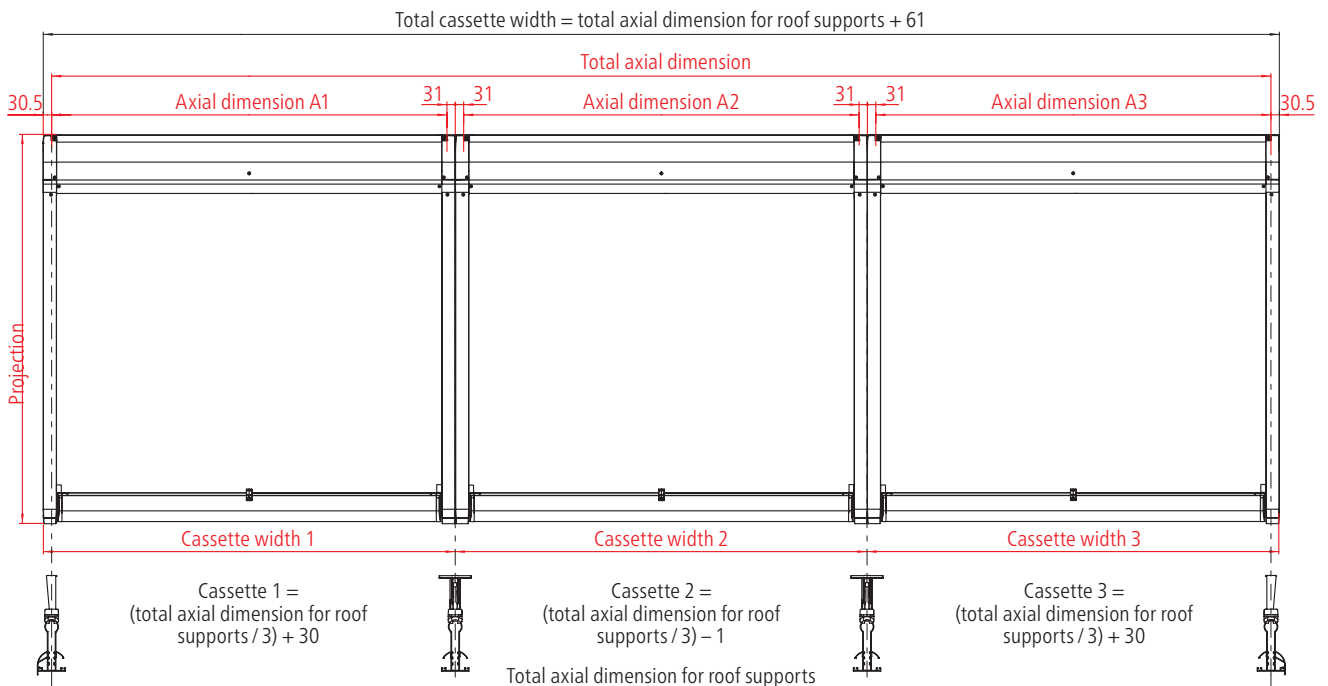
Determining dimensions for multi-section units with 2 panels



Calculation of cassette width

(Total axial dimension for roof supports / 2) + 30 mm.
Only applies if both units have the same axial dimension.

Determining dimensions for multi-section units with 3 units or more*



Calculation of cassette width 1 + 3 (outside cassettes):

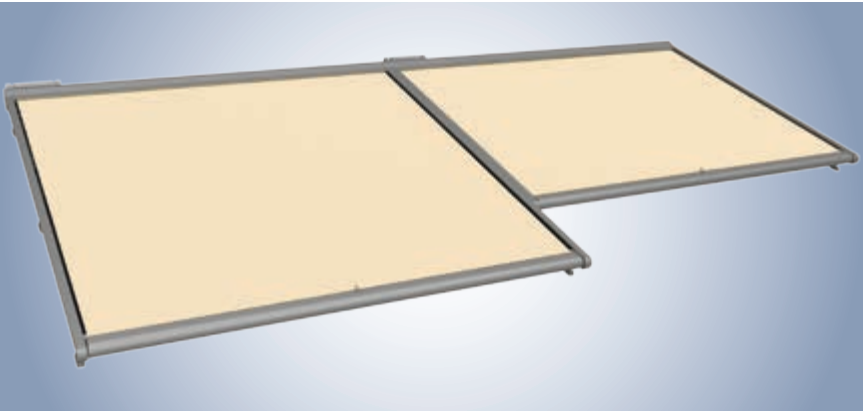
(Total axial dimension for roof supports / 3) + 30 mm

Calculation of cassette width 2 (inside cassettes):

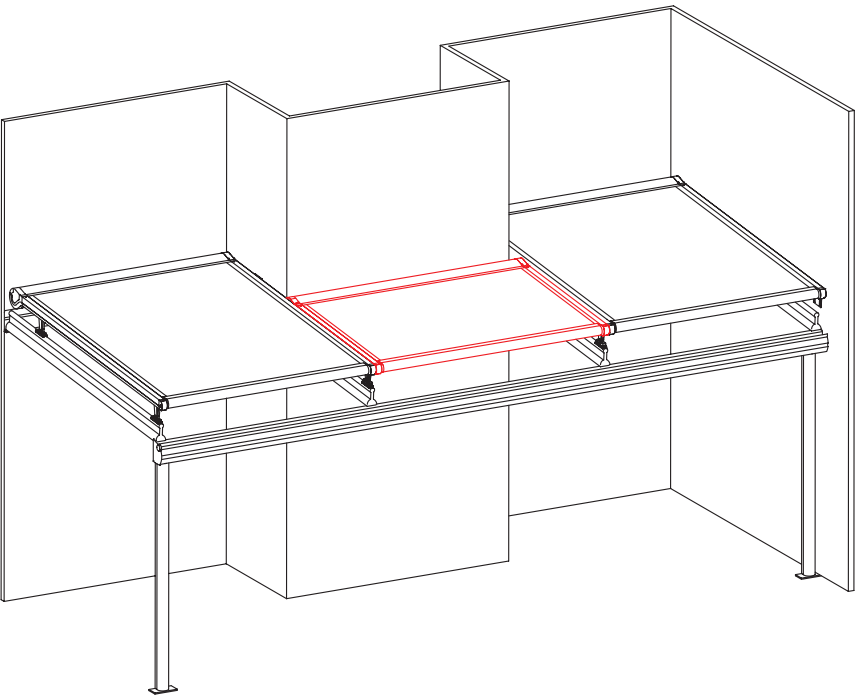
(Total axial dimension for roof supports / 3) - 1 mm

*The determining of measurements applies to a maximum total width of 14 m and only if all distances between centre lines are the same and the number of roof units can be divided by 3.

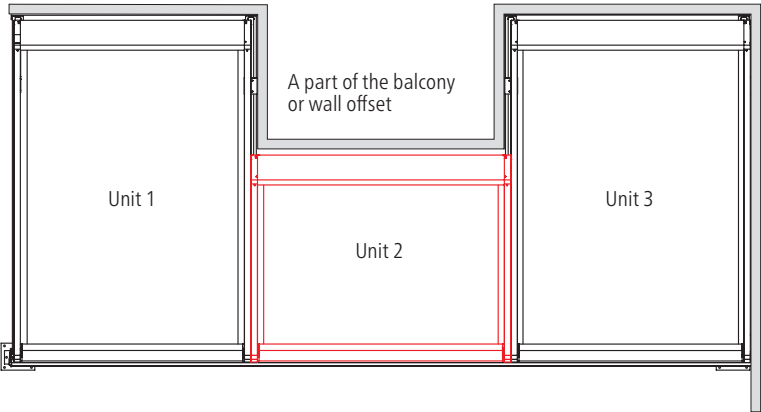
Multi-section unit with wall or guttering offset



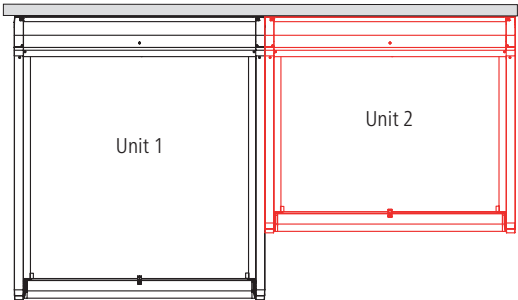
Different offset versions can be designed on request (e.g. guttering offset).



Multi-section unit with offset (profile view)



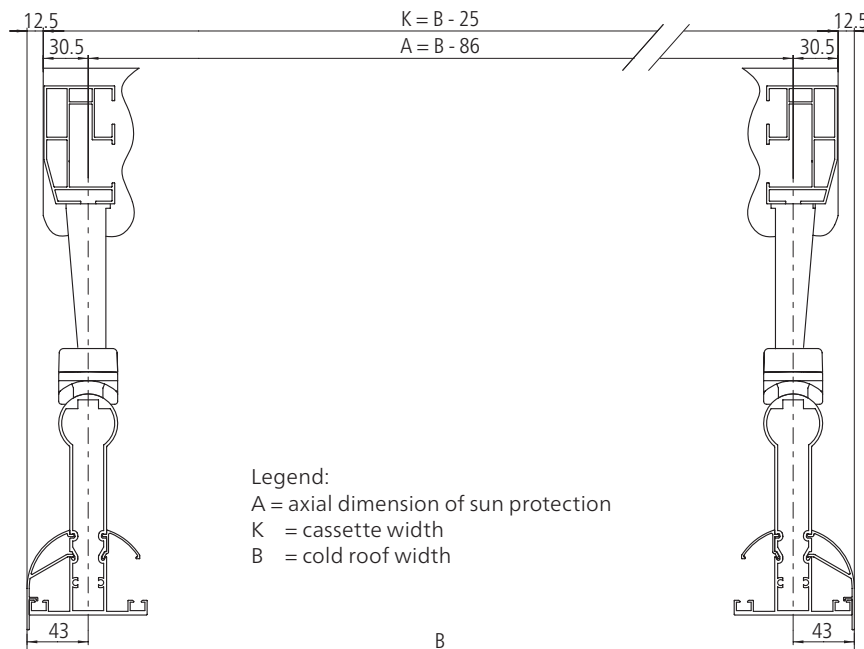
Multi-section unit with wall offset (top view)



Multi-section unit with guttering offset (top view)

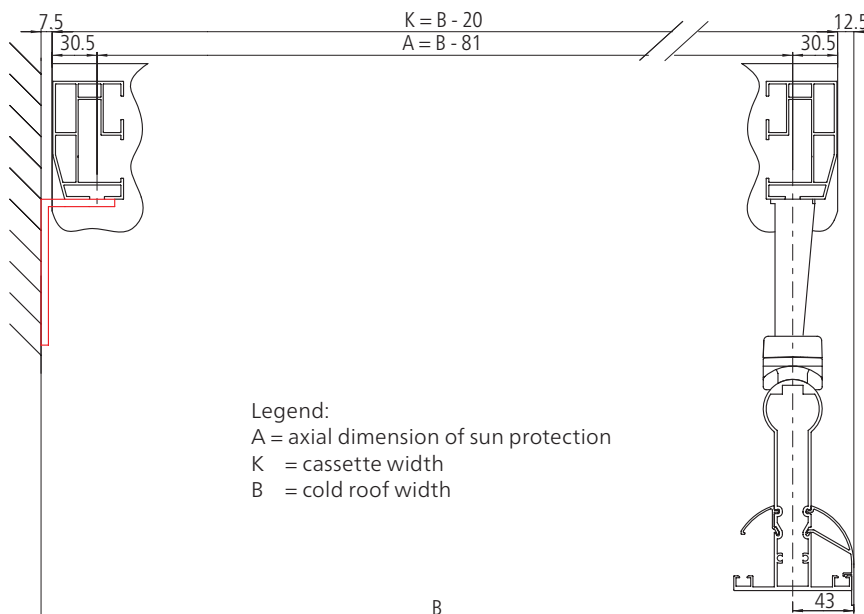
WGM Top Installation

Individual unit



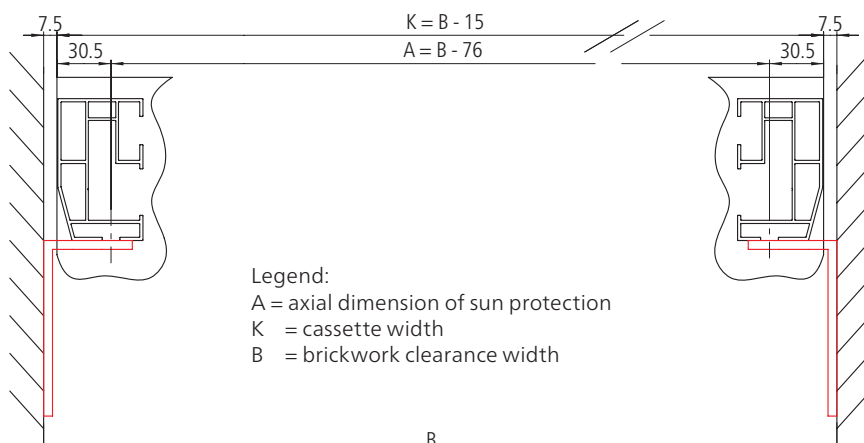
Mounting alternative without sideways bordering

Fixing with top support bracket.



Mounting alternative with one-sided bordering, top support bracket

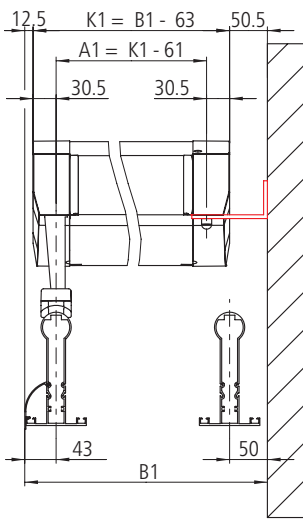
WGM Top on a conservatory with e.g. adjacent wall on side. Fixing with wall-mount angle bracket and top support bracket.



Mounting alternative with wall bordering on both sides

The installation is mounted directly onto the brickwork using wall-mount angle brackets.

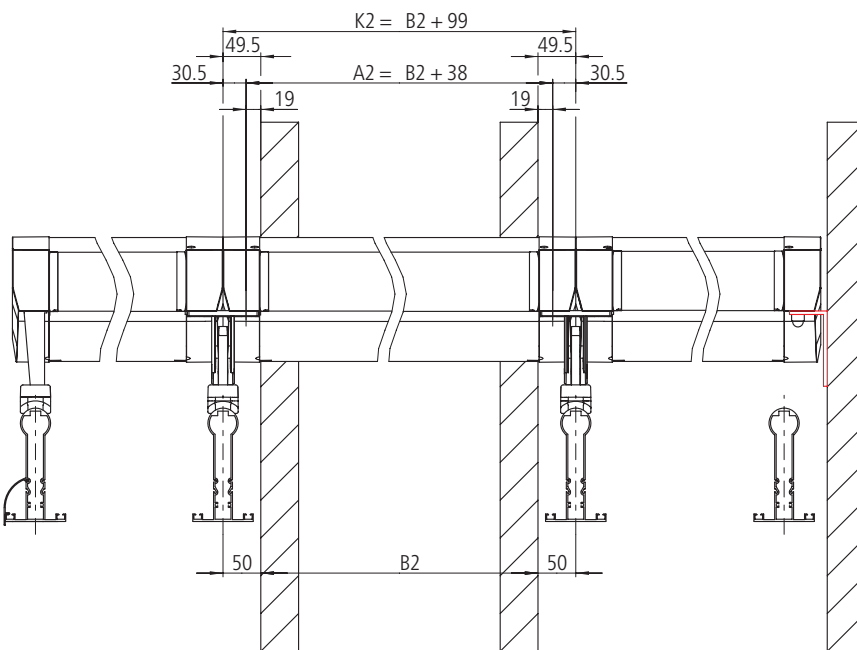
Multi-section unit with a part of the balcony or wall offset



Legend:
 A1 = axial dimension of sun protection
 K1 = cassette width 1
 B1 = wall offset width

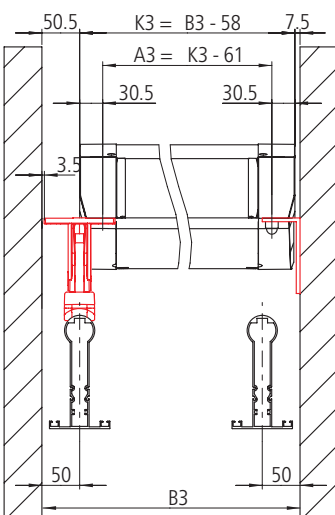
Mounting alternative with one-sided bordering in wall offset

Fixing with wall-mount angle bracket and top support bracket



Mounting alternative for multi-section unit with part of the balcony in the centre.

Legend:
 A2 = axial dimension of sun protection
 K2 = cassette width 2
 B2 = balcony width



Legend:
 A3 = axial dimension of sun protection
 K3 = cassette width 3
 B3 = masonry clearance width

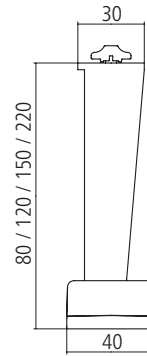
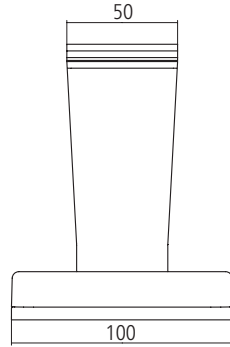
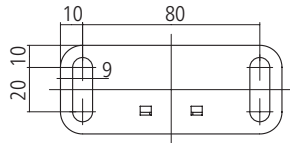
Mounting alternative with double-sided bordering and wall offset

Fixing with wall-mount angle brackets directly on the brickwork and top support bracket adjustable for multi-section units.

Support brackets

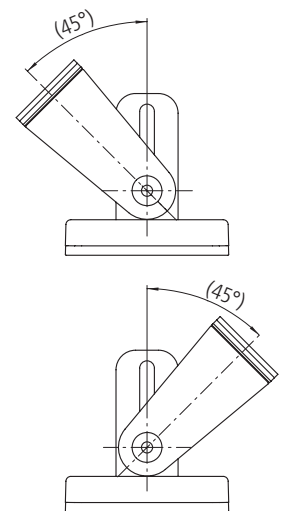
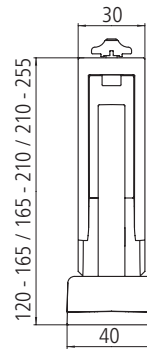
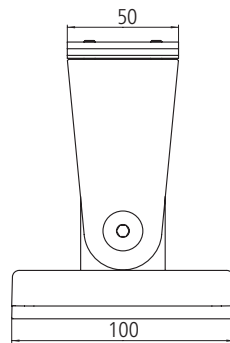
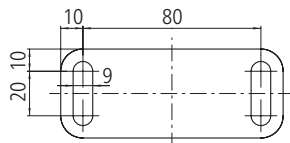
Top support bracket

Height: 80 mm, 120 mm, 150 mm and 220 mm



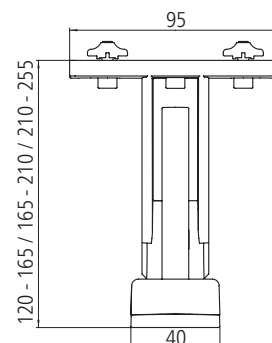
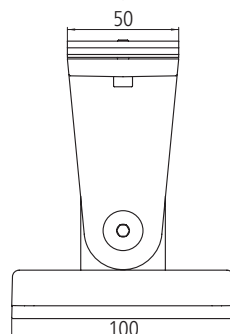
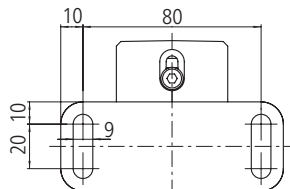
Adjustable top support bracket

Height: 120 mm – 165 mm
165 mm – 210 mm, 210 mm – 255 mm
The support bracket angle is adjustable up to 45°. The support bracket bottom section is not visible with an angle of 4°.



Adjustable top support bracket for multi-section unit

Height: 120 mm – 165 mm
165 mm – 210 mm, 210 mm – 255 mm

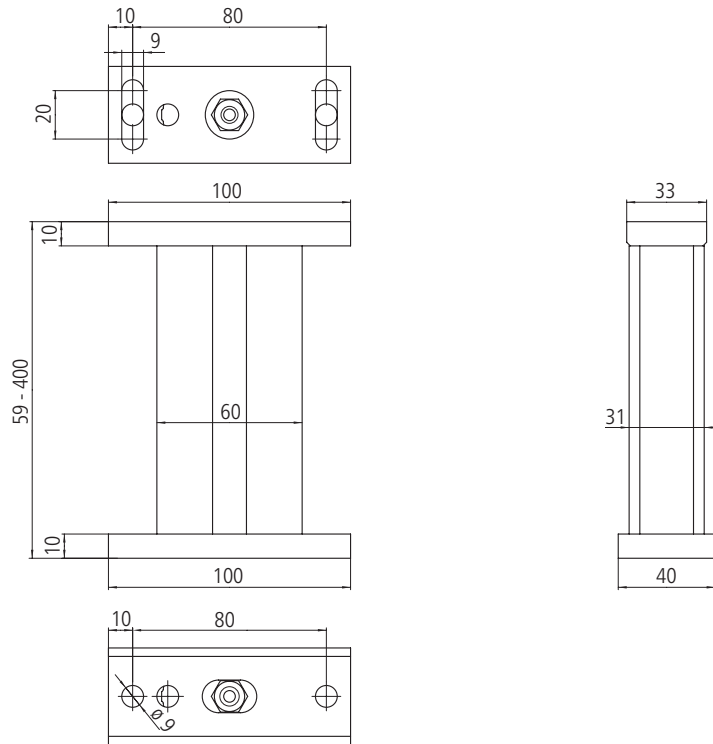


Special support brackets

Special support bracket
59 – 400 mm customisation



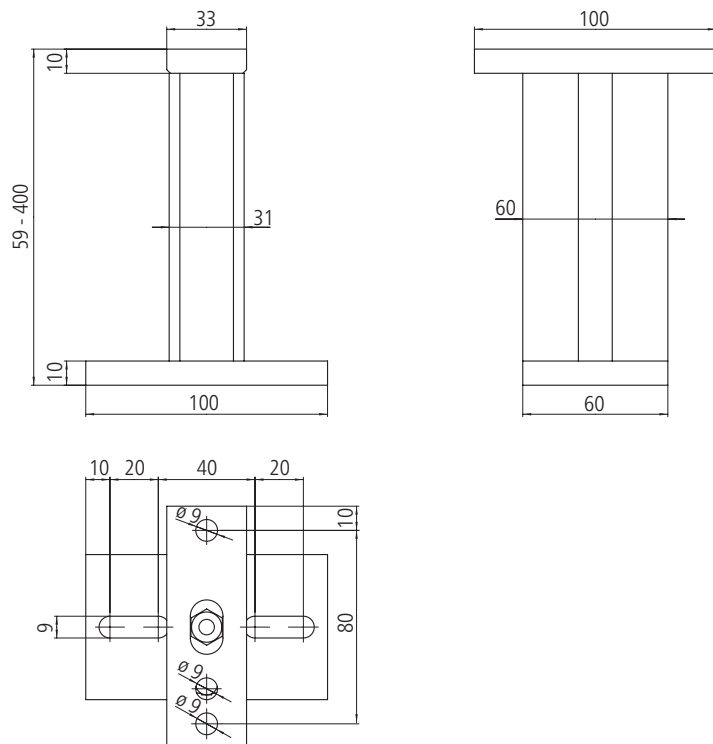
Special support bracket installation



Cross-shaped support bracket
59 – 400 mm customisation



Cross-shaped bracket installation

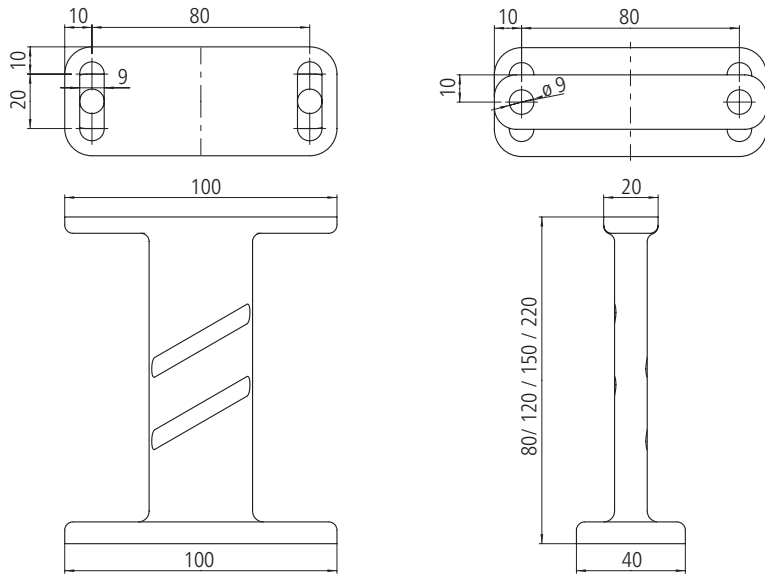


WGM Top Installation

Other support brackets

Modern support bracket

Height: 80 mm, 120 mm, 150 mm and 220 mm



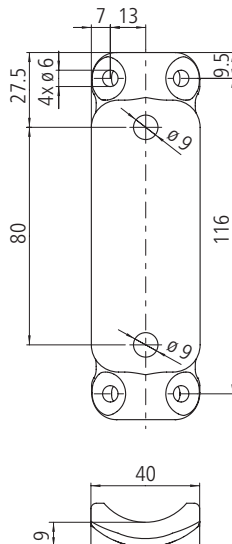
04

Installation on weinor Terrazza

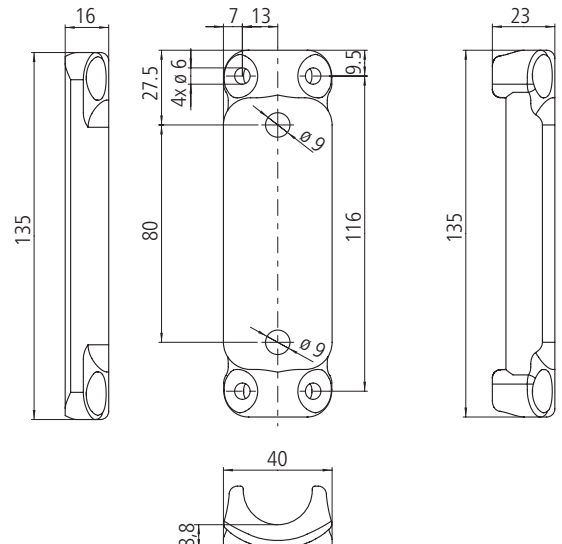


Installation on a Terrazza patio roof

Support bracket mounting plate for weinor Terrazza L 150 roof support



Support bracket mounting plate for weinor Terrazza S 110 roof support



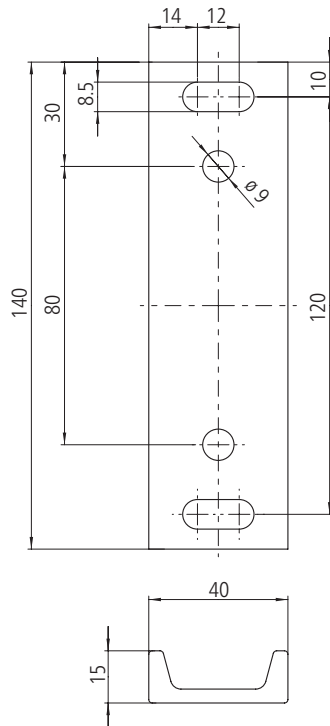
The DIN7982-5.5x19-C-A2-Tx countersunk self-tapping screw is required to fix the 110 and 150 mounting plates.

WGM Top Installation

U profile for fins



Installation using U profile on fins



Base plates for support brackets

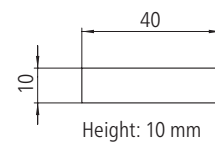
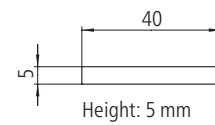
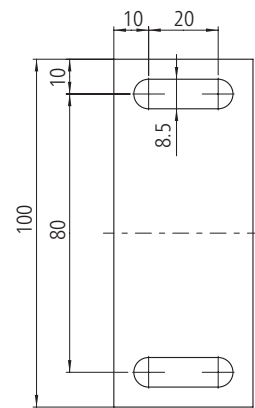


Installation with base plate

Base plate, 5 mm

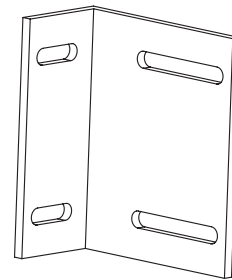
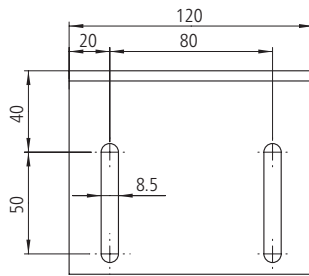
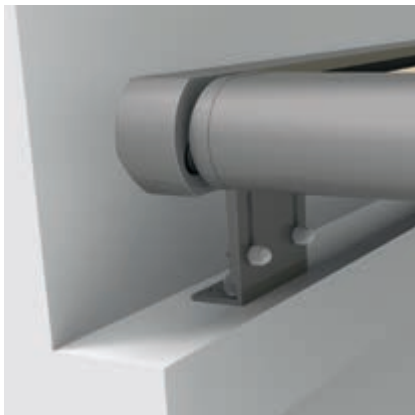
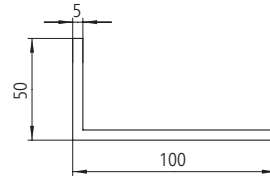
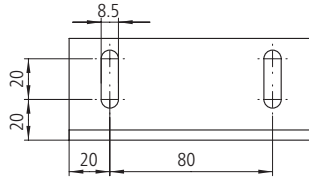


Base plate, 10 mm



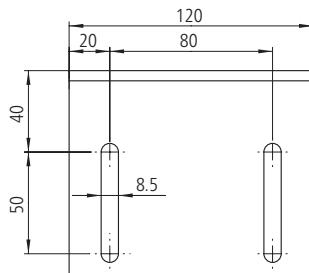
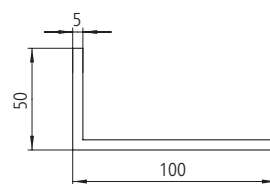
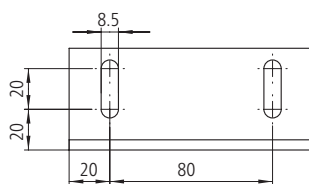
Special brackets

Z-shaped bracket (2 100x50x5x120 mm wall-mount angle brackets)



Installation on lateral wall or niche using a Z-shaped bracket

Wall-mount angle bracket (100x50x5x120 mm)

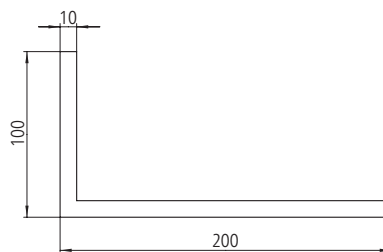
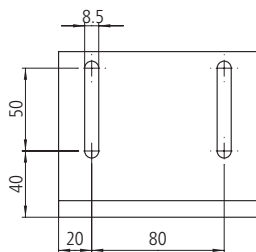
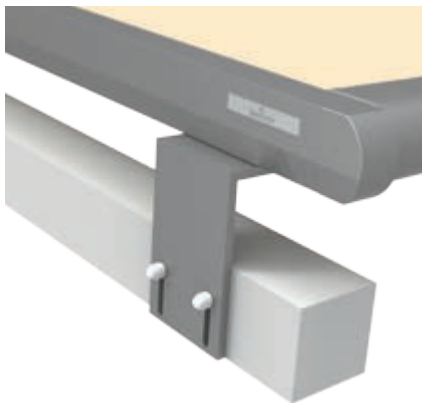


Installation on a lateral wall

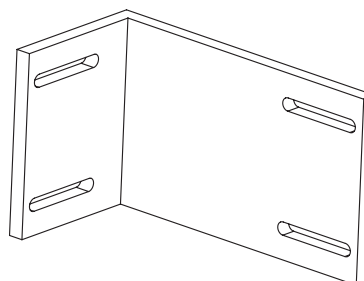
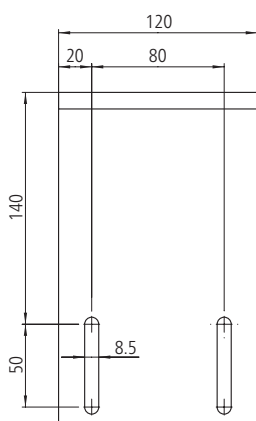
WGM Top Installation

Special brackets

Long angle bracket (200x100x10x120 mm)



Installation on a lateral conservatory using a long angle bracket





Premium quality
made in Germany



Awning



Awning
with Valance Plus
and Tempura



Awning
with Valance Plus
and Paravento



Pergola awning
Plaza Viva
and Paravento



Pergola awning
weinor PergoTex II
and Tempura



Pergola awning
weinor PergoTex II
with VertiTex II



Terrazza
patio roof
with Sottezza II
sun protection



Terrazza patio roof
with lateral SUPER LITE
fixed glazing



Glasoase® with
conservatory awning
WGM Top and full glass
sliding door w17 easy

AWNINGS

PERGOLA AWNINGS

CUSTOMISED, SYSTEMISED SOLUTIONS

PATIO ROOFS AND GLASOASE®

