



Honoured with:



Patio roof

Terrazza Sempre Terrazza Sempre Plus

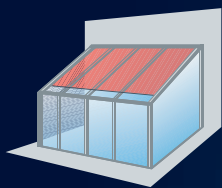
06

The new weinor **Terrazza Sempre** patio roof is based on the long-standing Terrazza Originale. It appeals to end customers who don't prefer the Terrazza Originale's classically round design or do not want the Terrazza Pure's consistently cubic look. Terrazza Sempre therefore completes the weinor Terrazza range with its combination of roof pitch and angular design.



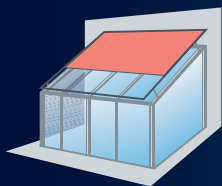
Highest quality profile: all weinor profiles are always cut to size before powder coating. This ensures optimum corrosion resistance.

Privacy and sun protection: vertical and conservatory awnings (VertiTex II, Sottezza II and WGM Top) can be easily added to.



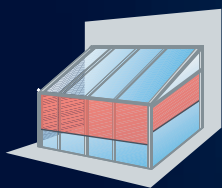
Under mounted awning

The Sottezza II Under mounted conservatory awning protects against dazzle and UV rays. Perfectly matched to the Terrazza Semptra, it is ideally suited for well-ventilated rooms.



Over roof awning

A roof-mounted conservatory awning from the WGM range is the ideal solution for side elements that are closed for the most part. It reduces the greenhouse effect.



Side awning

The weinor VertiTex II vertical sun protection offers reliable privacy, glare and sun protection. Fitted with a fabric from the screens by weinor® collection, it improves air circulation.

Two roof versions:



Terrazza Semptra
without roof overhang



Terrazza Semptra Plus
with roof overhang



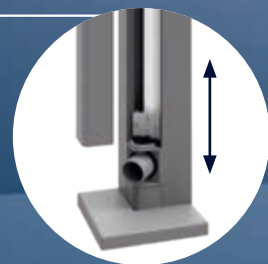
Square guttering look:

220 guttering with square end completes the uniform overall appearance



Large widths:

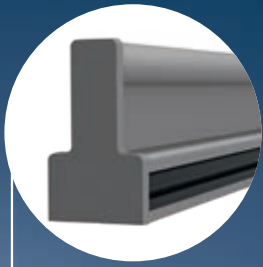
light 220 guttering with less steel, patio roof widths up to 7 metres, without a centre post



Square 115 post:

easy downpipe installation and maintenance due to opening function, water outlet can be individually adjusted in height

Terrazza Sempra/Plus Highlights



Square roof support look:
due to the new shape of the cover cap and glazing strip, the stable roof support has a square look.



Proven roof supports (types L and S):
guarantee the well-known high stability due to their T-beam shape.

weinor Glasoase®:
extended all-round weather protection with full-surface glazing elements



LED Design square light bar:
warm white LED spotlights with proven electronics, new square shape bar



RGB LED light strip:
with 48 colours and 3 shades of white, can be flexibly mounted on site

06



Terrazza sempre/Plus Benefits



Linear design – a seamless look

The Terrazza Sempre impresses with its timeless square design combined with a sloping glass roof. The professional weinor engineering allows for a high-quality look, in the detail too.

- No mounting grooves
- No silicone
- Virtually no visible fixings



Rigid aluminium construction - tested security all-round

Roof supports with proven certified statics and high stability, which are supplemented by new square caps.

- No thermal separation
- Extra thick extruded profile walls
- Thanks to powder coated aluminium profiles and stainless steel screws
- Snow load up to 550 kg/m²
- Roof depths of up to 6,000 mm



Rigid roof covering - resilient and shatter-proof

The weinor Terrazza Sempre is rated for high-quality laminated safety glass (LSG):

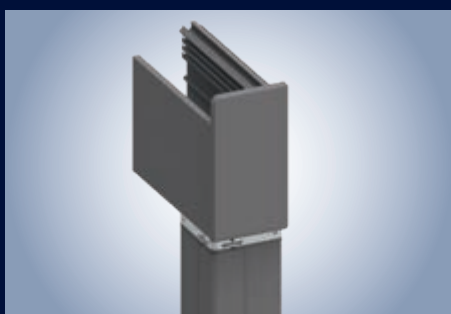
- Roofing from 10 or 12 mm LSG
- Highly resilient, structurally tested
- Accessible to personnel for maintenance work from a thickness of 10 mm
- 16 mm polycarbonate available as an option (rain noise!)



115 post

Invisibly integrated downpipe

Rainwater is systematically drained away by the downpipe discretely integrated into the post. The opening function makes it easier to install and maintain the downpipe. Upon request, the drain can also be fed through a post plate. The optional leaf guard prevents the ingress of leaves and the like into the rain gutter.



DR 220

Better statics – larger widths

The guttering can take high loads due to its overall height of 220 mm. Depending on the depth and snow load, wider spans can be managed between the posts without reinforcing the guttering with steel. As a result, larger widths are possible without any middle posts. The glazing elements can be fitted behind gutter 220 on request. This way the maximum head clearance height can be achieved.

Innovative: The additional **steel reinforcement can be delivered separately** and is simply inserted into the gutter on site! This massively reduces the weight during transport.

Terrazza Sempra/Plus Benefits – expandable system



New: LED Design square light bar

RGB LED light bar

LED lighting – for an impressive atmosphere

New: LED Design square light bar

- In round and now in square
- Extremely energy-efficient and long-lasting spotlights
- Dimmable when used with BiConnect radio control or Somfy io-homecontrol®
- Easy to retrofit

RGB LED light strip

- 48 colours and 3 whites
- Convenient operation using the BiEasy 15M Go! hand transmitter.
- Can be mounted all around the gutter, glazing elements or house wall



High-performance Tempura Quadra heating system

Tempura and Tempura Quadra, the energy-efficient infrared heating systems, impress with a heat output of 1,500 watt in a tiny housing.

- Instant heat: no warm-up time
- Turn as required for targeted warmth
- Dimmable when used with BiConnect or Somfy io-homecontrol® radio control
- Splash protection
- Available in 47 standard frame colours plus 9 scratch-proof, resistant trend colours with a smart, textured look
- Option: 150 special RAL colours
- Easy to retrofit using universal bracket
- TÜV tested



Modular system – very easy to expand

Terrazza Sempra can be easily expanded by glass elements to create the Glasoase®. The components are:

- The w17 easy full glass sliding door
- LITE w50-c trapezium glazing on the side

The dimensions and shape of the 220 guttering and the 115 posts have been designed in such a way that glazing elements (GE) can be mounted safely without additional profiles.

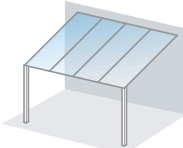
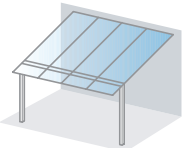


Sun protection – glare and heat protection with privacy and visual benefits

Sun protection systems from weinor meet many requirements: They prevent unpleasant glare and fading of furniture and carpets. They provide privacy protection on the sides. And they avoid overheating when the vertical elements are closed.

- Perfectly matched to the Terrazza Sempra patio roof
- Can be retrofitted afterwards
- Choice of 150 fabric designs

Terrazza sempre/Plus Technology

Terrazza roof system versions	Terrazza Sempre	Terrazza Sempre Plus
	 Pent roof with integrated rain gutter	 Pent roof with integrated rain gutter and roof overhang
Technology		
Max. roof width	7,000 mm	7,000 mm
Max. roof depth (roof support S/L)	3,000 mm/6,000 mm	3,500 mm/6,000 mm
Roof pitch in Quick & Easy (3°* to 15°) Caution: < 5° the roof's impermeability is at risk	●	●
Roof pitch (5° to 15°)	●	●
Roof pitch (> 15° to 45°)	○	—
Guttering drainage	○ Covered or outside	○ Covered or outside
Snow load 750 N/m ²	●	●
Snow loads up to 5,500 N/m ²	○	○
Accessories		
Under mounted sun protection	○	○
Over roof sun protection	○	○
Vertical sun protection	○	○
Vertical glass elements	○	○
Tempura/Tempura Quadra heating system	○	○
LED light bar	○	○
Permanent roof vents	○	○
Terrazza system posts		
115 post (square)	●	●
Terrazza system guttering		
220 guttering (only possible with the 115 post)	●	●

● standard ○ optional — unavailable

* With roof pitches < 5°:

- With large roof depths and the use of glass staves, there are restrictions with impermeability, if applicable, additional sealing measures are required here.
- Larger deposits form faster in front of glass staves (moss, biofilm etc.).
- With the use of trapezium fillings on the side the glass area becomes very narrow and therefore neither visually attractive nor very easy to install.
- Using air vents may lead to water getting in (rain due to wind etc.).
- Water is not drained and water pooling in front of the staves may lead to ice on the roof in cold temperatures.



General notes

Terrazza Sempra/Plus scope of delivery

All the small parts required to install a Terrazza Sempra/Plus roof are supplied as standard. Please also note any possible different or additional statements in the commercial or technical confirmation of the order.

Terrazza Sempra/Plus: Site dimension and planning

- A full and accurate site survey is a basic requirement for the job to be carried out well. It is the foundation for the roof's production and to establish other construction requirements.
- weinor needs the roof dimension you want. Please make a note of obstacles like: protruding walls, rain down-pipes, etc.
- Remember: The roof must be aligned straight.
- Permanently mark the cutting check and location of the special features you noted on site.
- Ideally, take digital photos of the installation site. Your technicians will be grateful for the more detailed information from good photos later on. The weinor staff can then get a better idea of what the site looks like and possibly provide you with non-binding details.
- Also measure the current situation on your building site. This makes it easier to talk about any necessary changes without measuring the site again.
- Unless otherwise specified, the glazing elements will be provided in the specified standard version.
- When designing the glazing elements and specifying glass thickness, the relevant statutory regulations must be observed at all times. weinor plans the glazing elements according to the lowest wind load (installation height: 0–8 m; dynamic pressure: 500 N/m²) and applies the specified standard glass thickness to the glazing elements. If different GE types are being used, this may result in deviations in the shape and/or colour of the various handles and glazing beads.
- The owner and customer are ultimately responsible for the statics design of the roof, glazing elements and accessories. In this context, the relevant valid statutory regulations must be observed, in particular Eurocode DIN EN 1990 and 1991, which defines wind and snow loads.
- Powder coating: all weinor patio roof and glazing element surfaces are always supplied powder-coated. Caution, deviations in colour: the degree of sheen in the coating and different powder manufacturers may lead to deviations in colour. The critical colours are RAL 9006 and RAL 9007 as well as all metallic (WT) colours.

- As a rule, production will not commence until after written approval of the order. Orders placed via the E-Shop are accepted without written approval and forwarded to Production immediately after the order confirmation has been dispatched. No collateral agreements will be accepted as part of the contract.
- Changes to orders made after an order has been approved are only possible in certain instances depending on how far along the production stage has advanced and will therefore incur an additional charge.

Sun protection

- You can either provide sun protection for the Terrazza Sempra/Plus roof using a WGM Top or undermounted Sottezza II conservatory awning.
- The weinor VertiTex II can provide sun protection for the front. This also provides glare and privacy protection.

Installation

- Check the structural conditions: foundation, floor panel, cutting check, masonry
- Check the drawing according to Engineering
- Preparatory work:
 - Check the roof and accessories scope of delivery with parts list/drawing from the confirmation of the order
 - Unpack the scope of delivery
 - Check it for damage
 - Start installation
 - Instructions are available for installation.

Recommended installation material (not in scope of delivery)

- Fixings for mounting the roof to the wall and floor
- Fixings for glazing elements
- Glazing blocks, silicone, sealing glue, Kompri-Band, films, filler cord, insulation material, PU foam, glazing tape
- Weather protection angle bracket above the wall profile
- Spacers for shimming glazing elements onto the floor

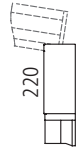
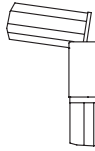
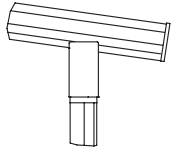
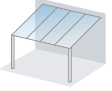
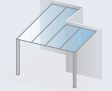
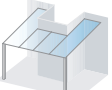

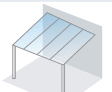
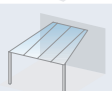

In case of complaints

If something appears to have not been carried out to your satisfaction:

- Take a photo of the package concerned and the whole installation situation (if possible, several digital photos).
- Make a detailed note of the causes, e.g. the actual dimensions of the supplied package. Our technicians can then compare the dimension with the target dimension to quickly establish the causes.
- Make a detailed note of the target dimension you would have expected. Our technicians can often draw important conclusions from this and give you more tips.
- Please immediately contact the weinor office.

Terrazza Sempra/Plus Planning

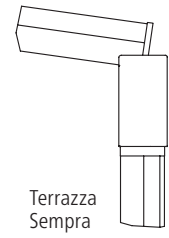
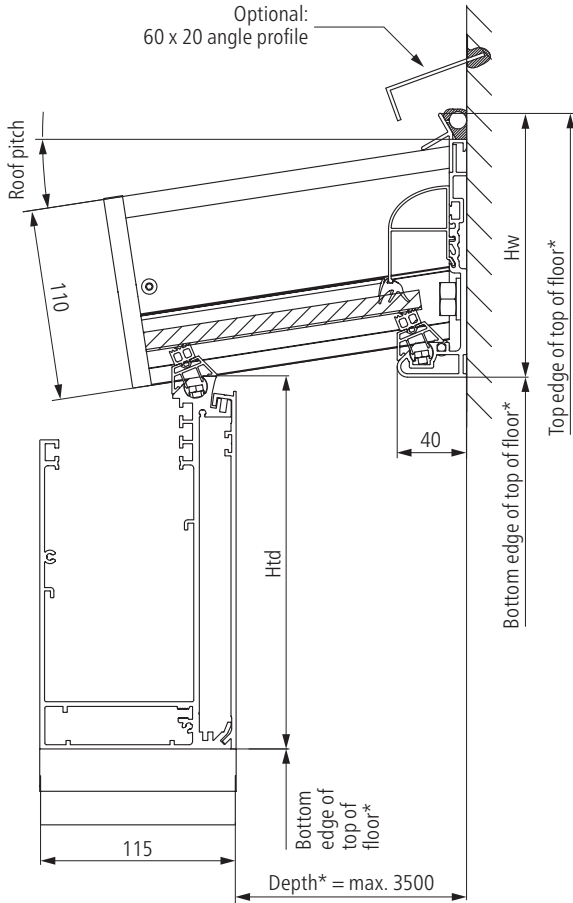
Roof types and combination options

Terrazza			Sempra	Sempra Plus
				
		Guttering	115 post	115 post
	Pent roof type A Depending on the design, differing distances between centre lines and the resultant additional roof panels can occur.	220	●	○
	Pent roof type A with wall offset Depending on the design, differing distances between centre lines and the resultant additional roof panels can occur.	220	○	○
	Pent roof type A with balcony recess Depending on the design, differing distances between centre lines and the resultant additional roof panels can occur.	220	○	○
	Pent roof type A with guttering offset Depending on the design, differing distances between centre lines and the resultant additional roof panels can occur.	220	○	◇
	Pent roof type A tapered wall profile left/right Pent roof with tapered wall profile or partially tapered wall profile	220	○	○
	Pent roof type C Pent roof with tapered side roof supports, width of outer roof panel max. 1,000 mm, roof depth max. 4,500 mm	220	◇	◇
	Pitched roof type L Pitched roof, width max. 6,500 mm, roof depth max. 6,500 mm (observe minimum roof pitch of 5° – 30°)	220	◇	◇

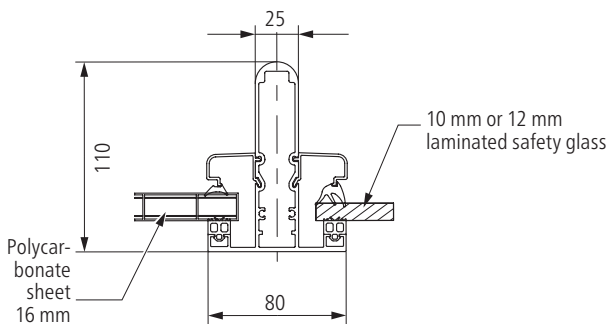
● standard ○ optional ◇ upon request — unavailable

Cross-sections and dimensions

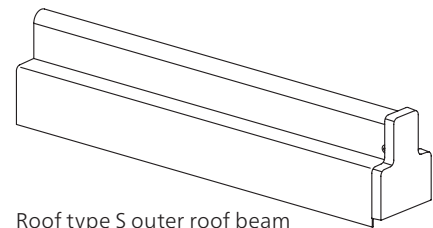
220 guttering – S roof support (max. roof depth 3,000 mm)



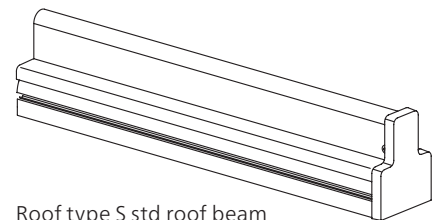
Terrazza Sempra



S roof support



Roof type S outer roof beam



Roof type S std roof beam

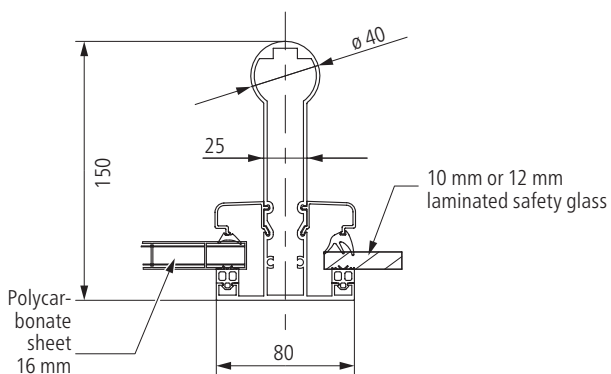
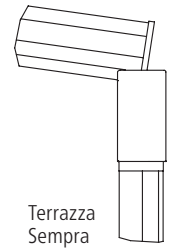
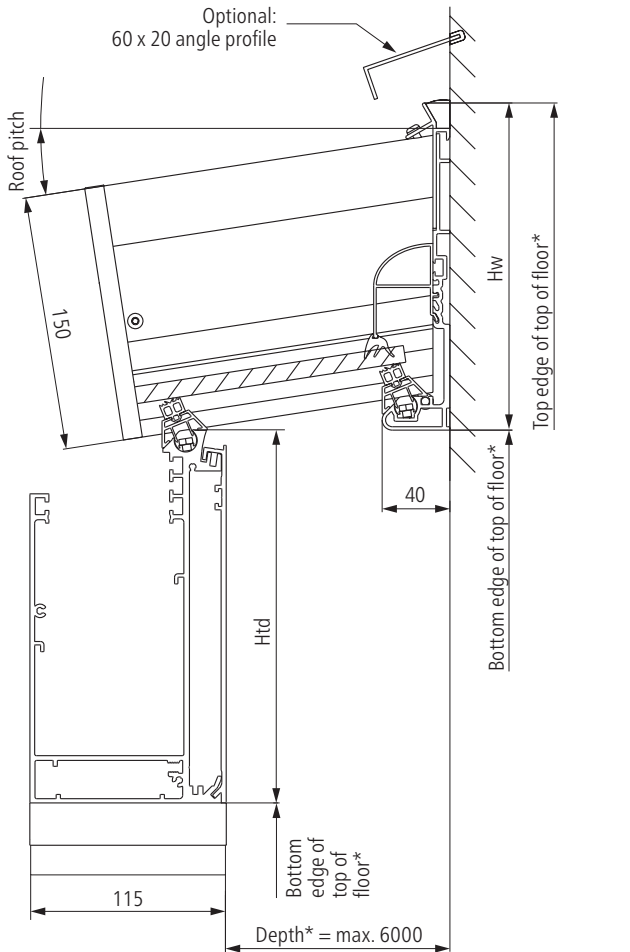
Note:

Please ensure that the wedge seal is positioned correctly. We recommend that you use the glazing device with roller to help you with this.

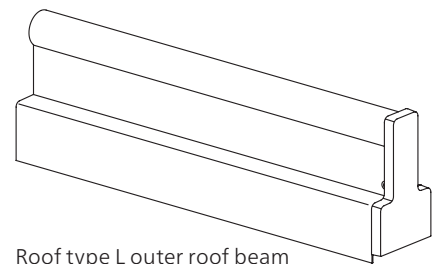


Cross-sections and dimensions

220 guttering – L roof support (max. roof depth 6,000 mm)



L roof support



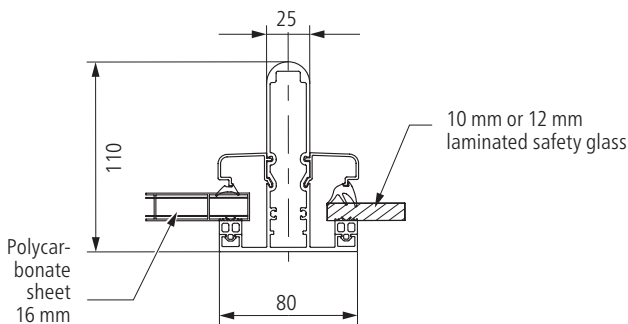
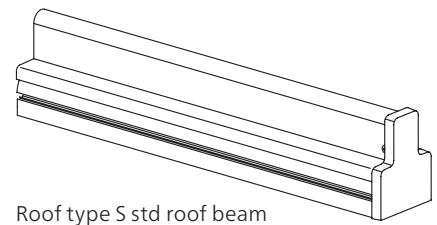
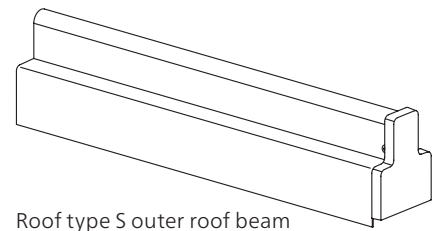
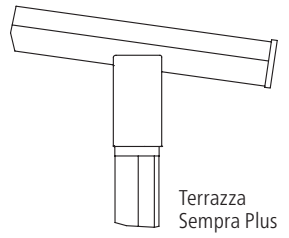
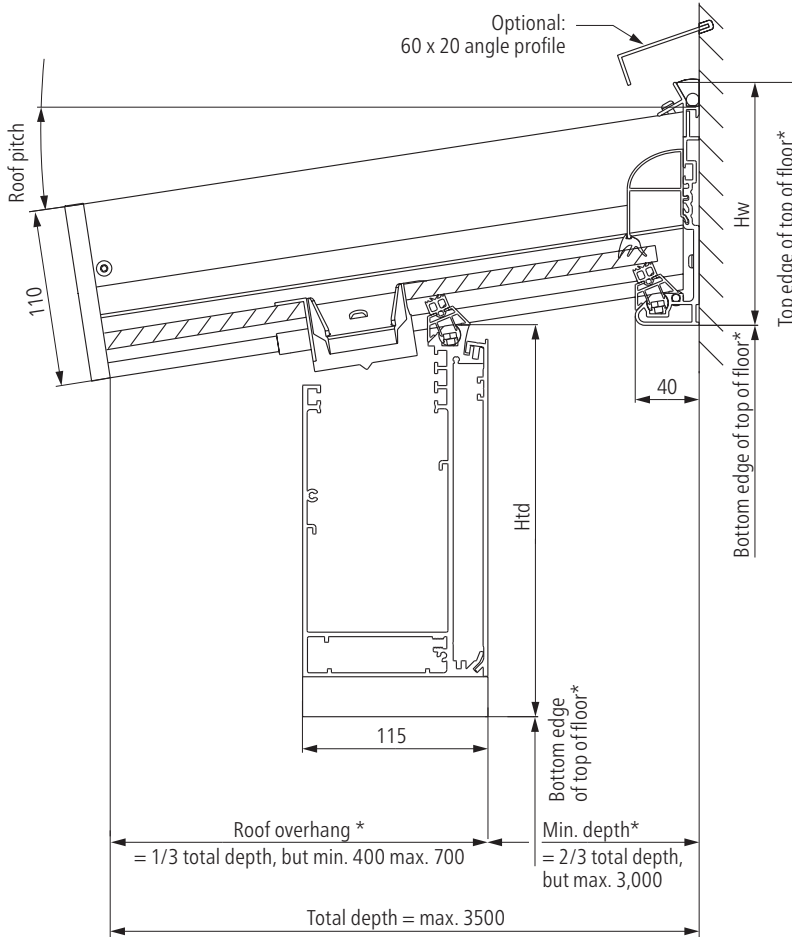
Roof pitch to	5°	10°	15°	20°	25°	30°	35°	40°	45°
Roof type S wall profile height in mm	152	153	156	159	164	171	180	192	208
Roof type L wall profile height in mm	192	194	197	202	208	217	229	245	264
Htd in mm	221	223	224	226	228	230	232	235	238

- * Order dimension
- Htd** Trapezium height on the guttering
- Hw** Wall profile height
- OKFF** Top of floor
- UKd** Bottom edge of guttering
- UKw** Bottom edge of wall profile
- OKw** Top edge of wall profile

Terrazza Sempra Plus Planning

Cross-sections and dimensions

220 guttering – S roof support (max. roof depth 3,500 mm)



S roof support

Note:

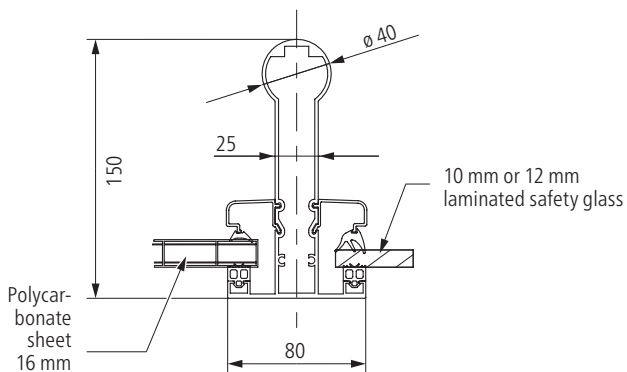
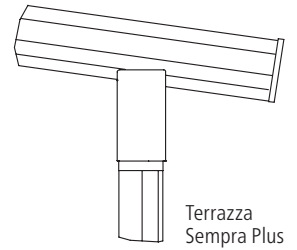
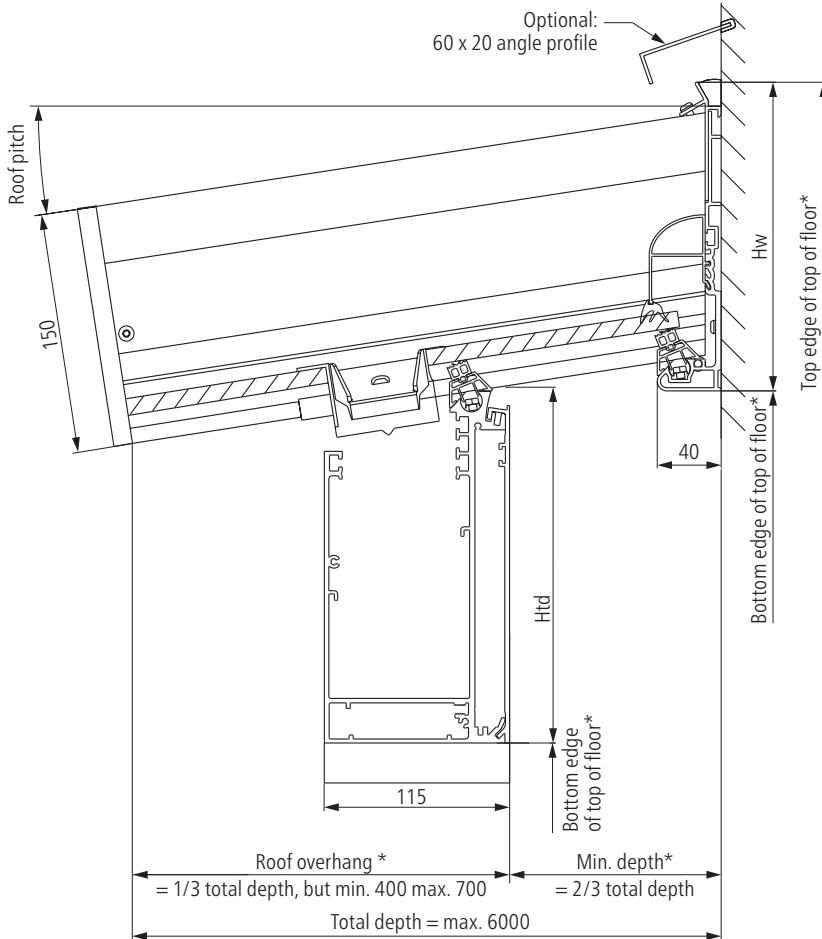
Please ensure that the wedge seal is positioned correctly. We recommend that you use the glazing device with roller to help you with this.



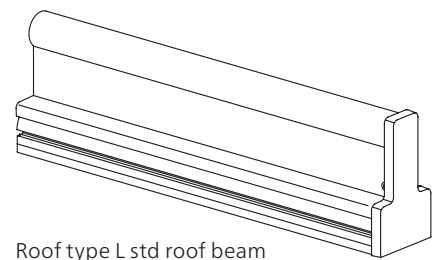
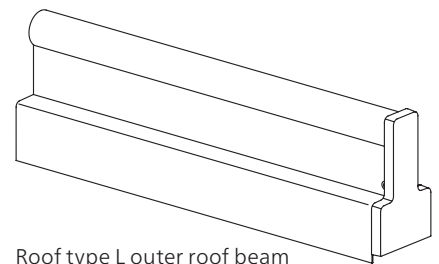
Terrazza Sempra Plus Planning

Cross-sections and dimensions

220 guttering – L roof support (max. roof depth 6,000 mm)



L roof support

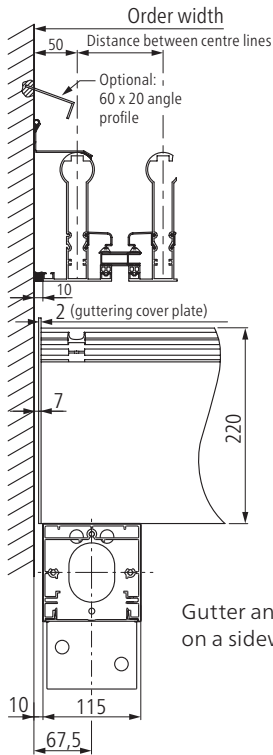


Roof pitch to	5°	10°	15°
Roof type S wall profile height in mm	152	153	156
Roof type L wall profile height in mm	192	194	197
Htd in mm	221	223	224

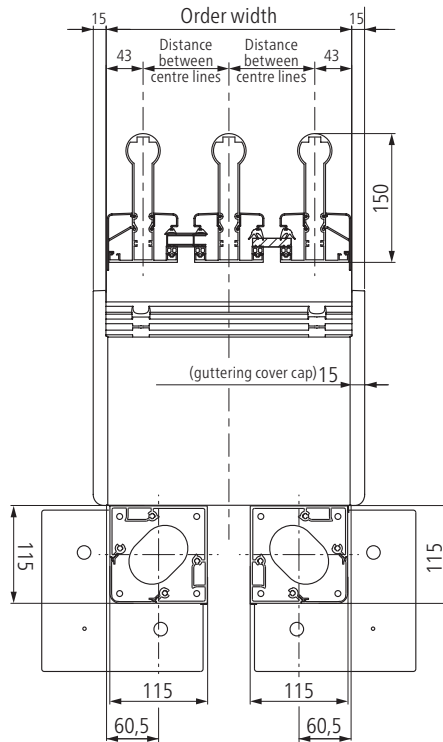
- * Order dimension
- Htd** Trapezium height on the guttering
- Hw** Wall profile height
- OKFF** Top of floor
- UKd** Bottom edge of guttering
- UKw** Bottom edge of wall profile
- OKw** Top edge of wall profile

Cross-sections and dimensions

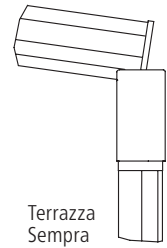
220 guttering – L roof support with and without side wall profile



Gutter and post position on a sideways wall



Gutter and post position, free-standing

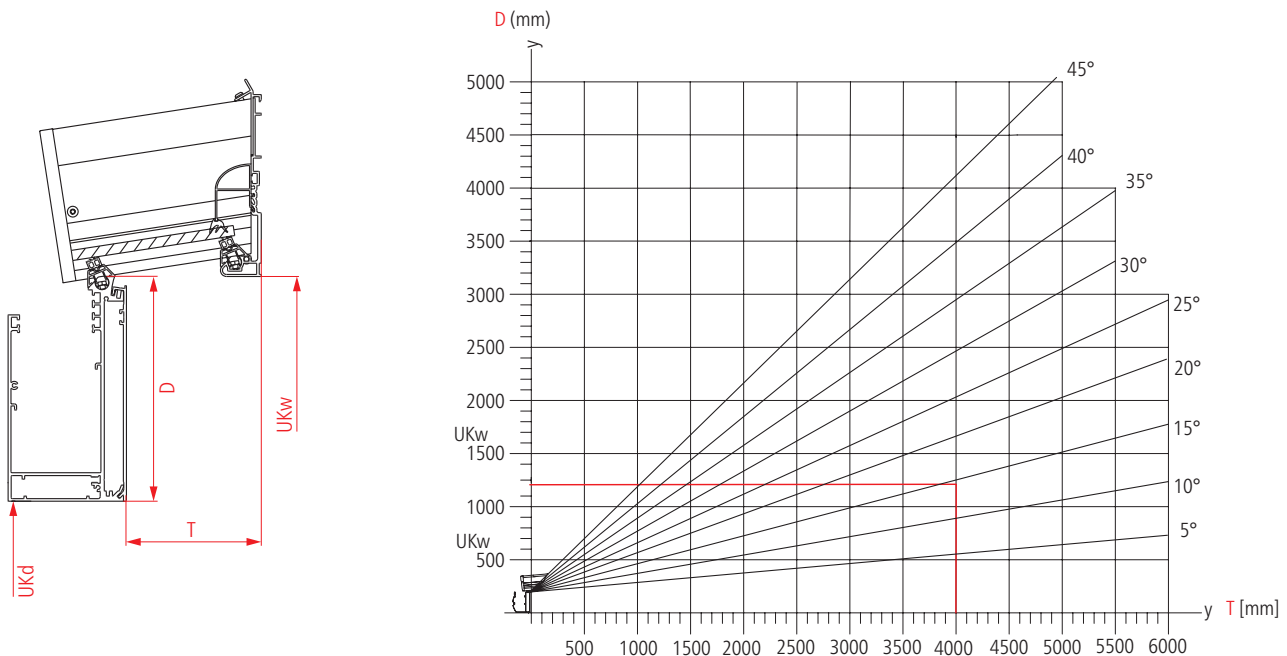


Terrazza Sempra

Determining the distance between bottom edge of guttering to bottom edge of wall profile

Roof depth T (mm)	1000	1250	1500	1750	2000	2250	2500	2750	3000	3250	3500	3750	4000	4250	4500	4750	5000	5250	5500	5750	6000
115 post (220 guttering)																					
Roof pitch 5°	287	308	330	353	374	396	418	440	462	483	505	527	549	571	593	615	637	658	680	702	724
Roof pitch 15°	465	532	599	666	733	800	867	934	1001	1068	1135	1202	1269	1336	1403	1470	1537	1604	1671	1738	1805

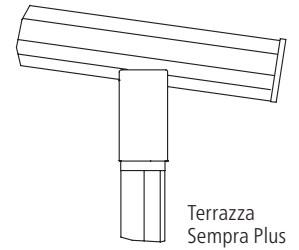
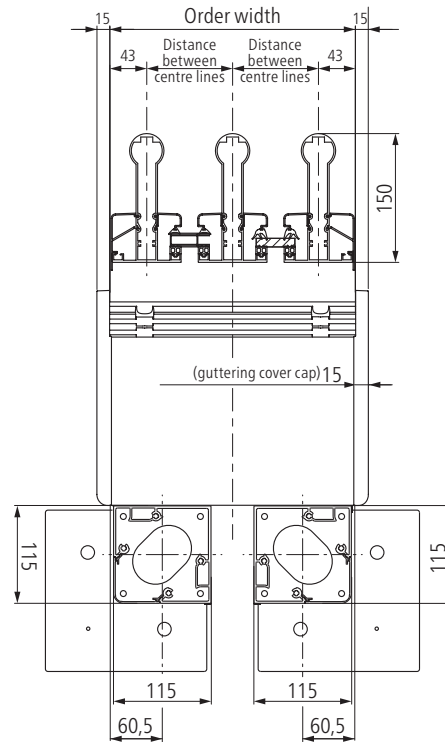
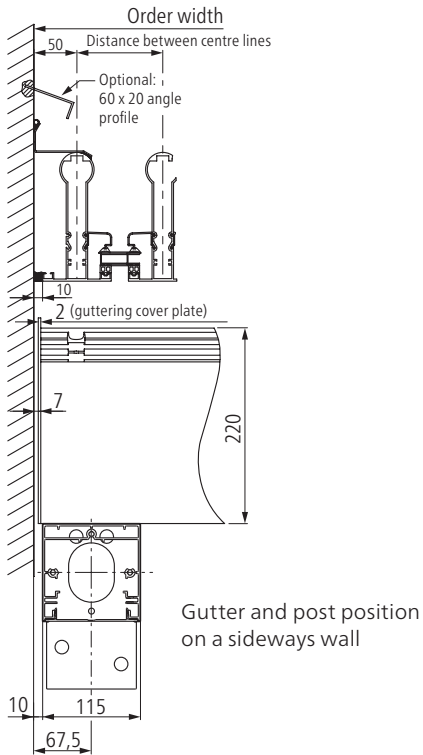
Distance D (between UKw and UKd)



Terrazza Sempra Plus Planning

Cross-sections and dimensions

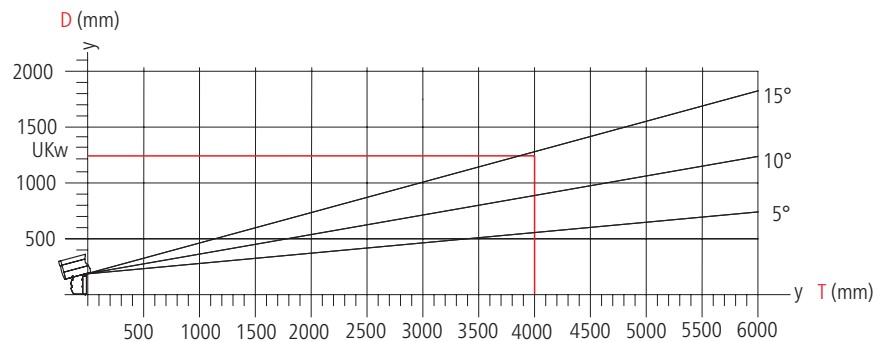
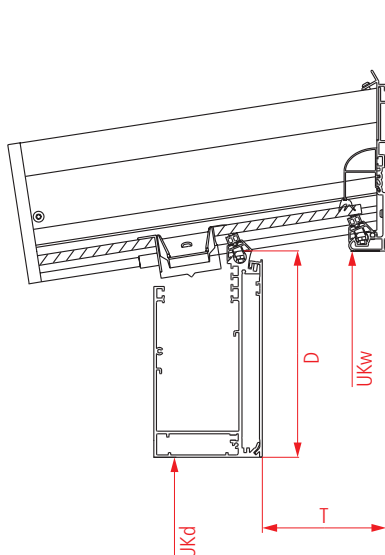
220 guttering – L roof support with and without side wall profile



Determining the distance between bottom edge of guttering to bottom edge of wall profile

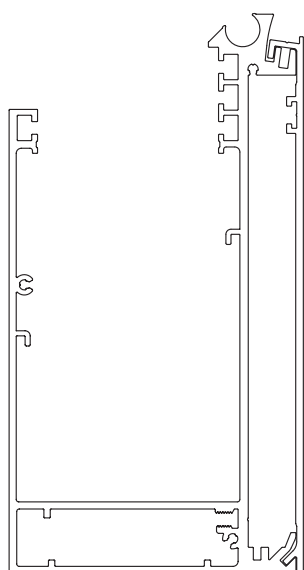
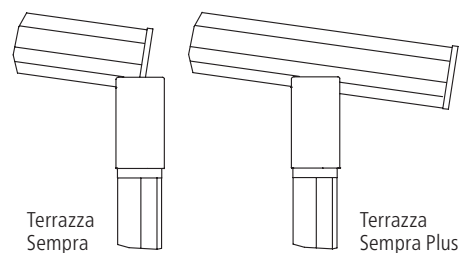
Roof depth T (mm)	1000	1250	1500	1750	2000	2250	2500	2750	3000	3250	3500	3750	4000	4250	4500	4750	5000	5250	5500	5750	6000	
115 post (220 guttering)																						
Roof pitch 5°	287	308	330	353	374	396	418	440	462	483	505	527	549	571	593	615	637	658	680	702	724	
Roof pitch 15°	465	532	599	666	733	800	867	934	1001	1068	1135	1202	1269	1336	1403	1470	1537	1604	1671	1738	1805	

Distance D (between UKw and UKd)

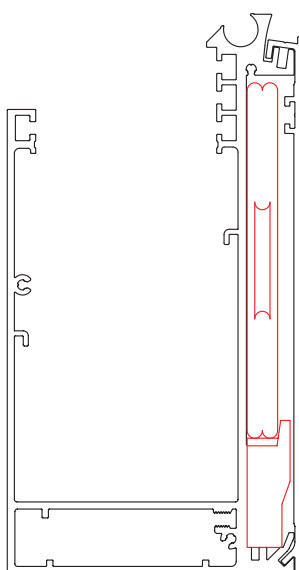


Guttering steel reinforcement bar

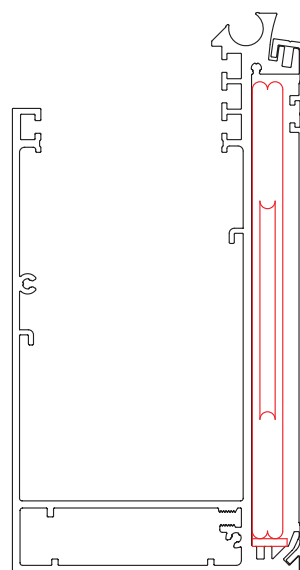
220 guttering – steel reinforcement bar



Without steel reinforcement bar



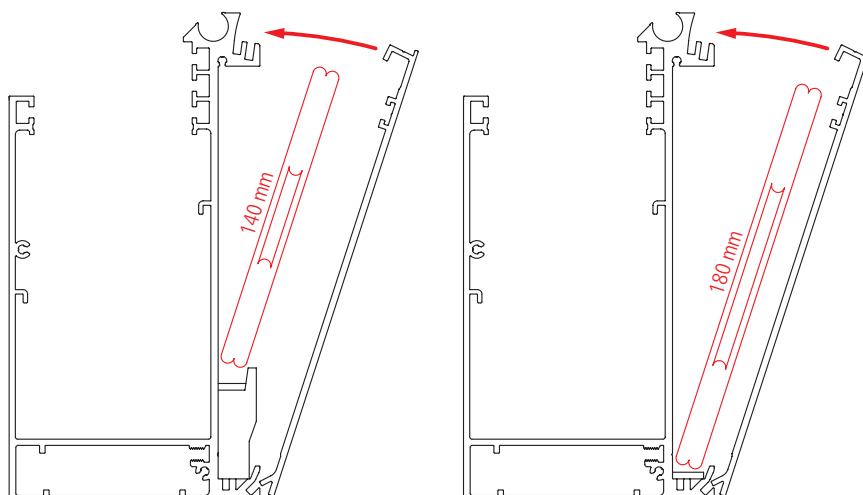
1 x 140 steel reinforcement bar



1 x 180 steel reinforcement bar

Guttering weight – 220 guttering	excluding steel	1 x 140 steel	1 x 180 steel
kg/m (without side cover caps)	6.5	17.5	19.5

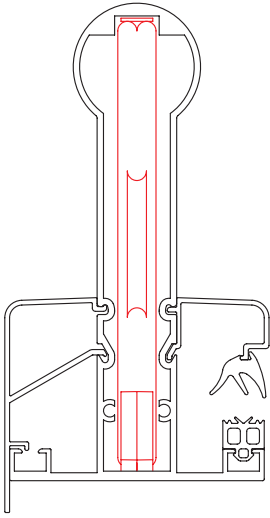
The maximum spans depend on the roof depth and required snow load. You can find the details about this in the current weinor Terrazza price list.



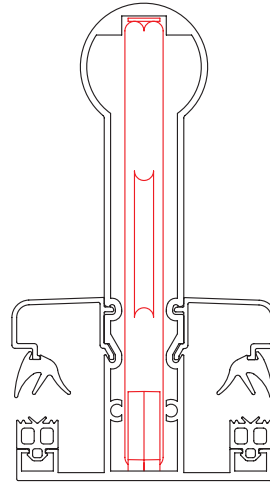
Special feature: and only from weinor!
 The steel reinforcement bar and roof gutter profile can be ordered separately. Thanks to the removable back of the 220 guttering, the 140 and 180 mm steel reinforcement bar can be inserted into the gutter from the back afterwards. This significantly reduces the weight for transport and installation.

Weight (kg/m)	220 guttering	140 steel	180 steel
Individual weight	6.5	11.0	13.0

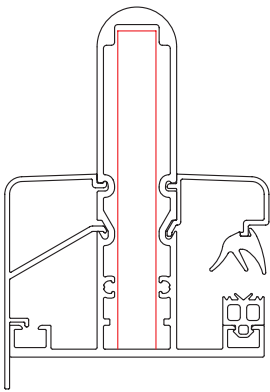
Roof support steel reinforcement



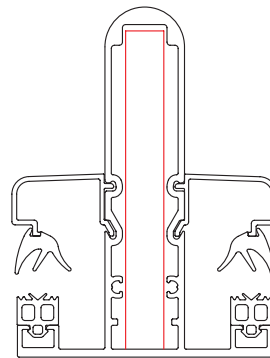
Roof type L outer roof beam with steel insert



Roof type L std roof beam with steel insert

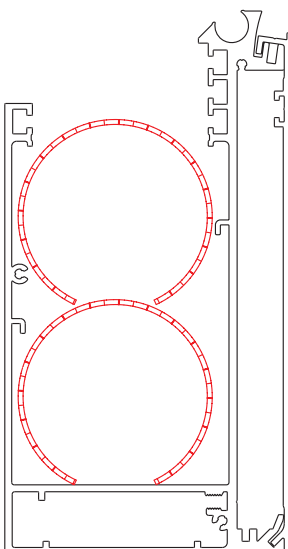


Roof type S outer roof beam with steel insert



Roof type S std roof beam with steel insert

Guttering protective leaf gaurd



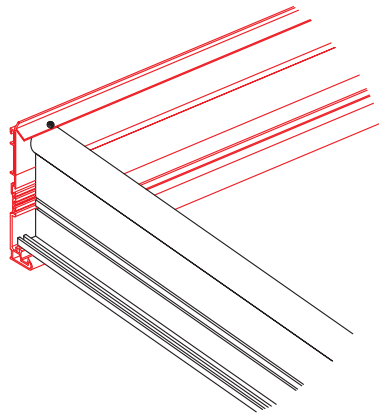
220 guttering
protective leaf gaurd

Terrazza Sempra/Plus Planning

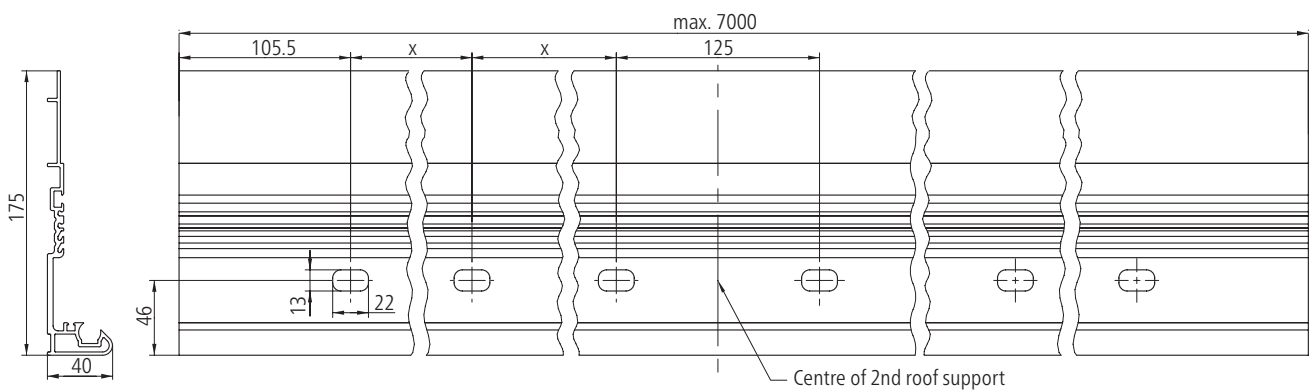
Installation on the wall using the continuous wall connection profile



The Terrazza Sempra/Plus is installed to a wall using the wall connection profile. The wall connection profile is used for the stable installation of the Terrazza Sempra/Plus.



Installation of the Terrazza Sempra/Plus on the wall using the continuous wall connection profile (using the example type L)



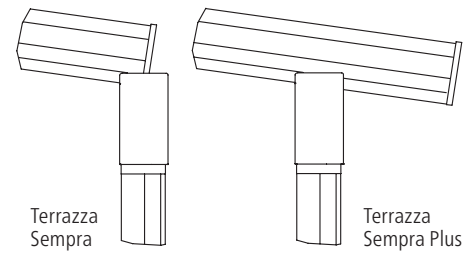
Using the example of a Terrazza Sempra type L

Terrazza sempre/Plus Posts

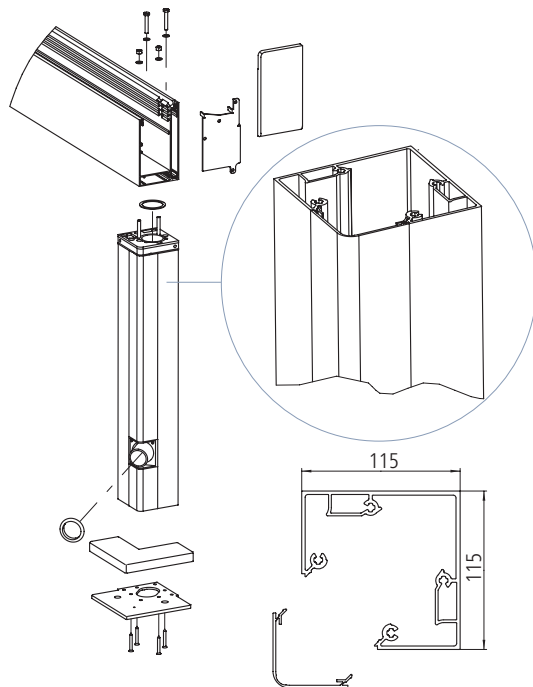
Drainage and posts

Invisibly integrated downpipe

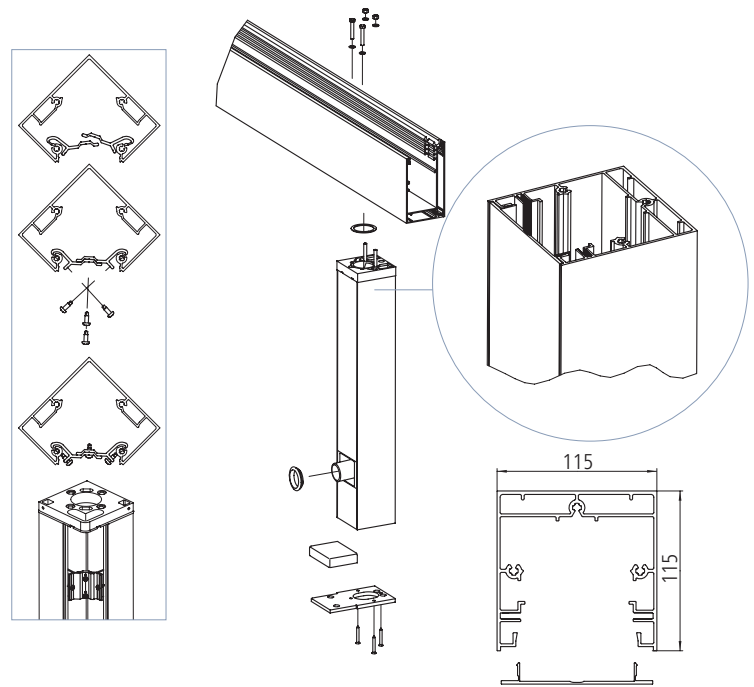
Rainwater is discretely and systematically drained away through the integrated water drain. The downpipe is invisibly integrated into the post. Due to the clip-on post faceplate the downpipe can be reached at any time for maintenance purposes. The drain can also be purposefully fed through a post plate, if used.



Outside 115 post



115 centre/wall post



Post corner water outlet



Variable height water outlet



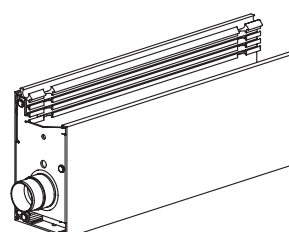
Water outlet at front



Water outlet at bottom

Sideways guttering drain (optional)

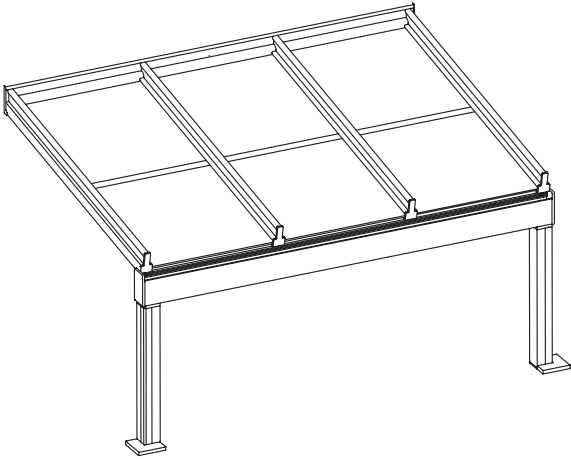
Drain on the side of the 220 guttering incl. cover plate and screw sockets (made of aluminium and powder-coated in same colour as roof)



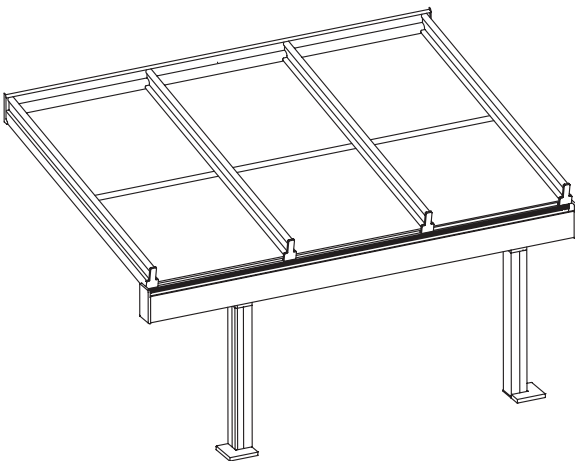
Terrazza Sempra/Plus Posts

Variable post positions

Terrazza Sempra with outside posts



Terrazza Sempra with indented posts

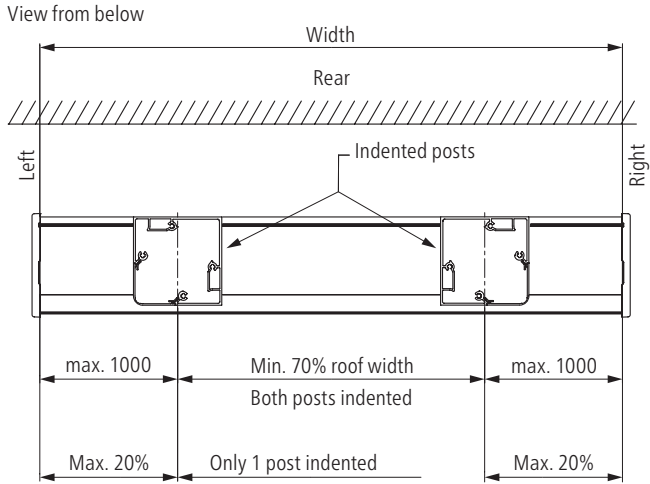


The maximum spacing between the posts can be increased via steel inserts in the guttering. **Important!** Caution: this may increase the weight of the rain gutter. As snow loads increase, the maximum post spacings reduce accordingly.

If the outer posts are indented, the centre post can be omitted for certain roof dimensions. Additional steel reinforcement bars in the guttering or the transom also permit the number of posts and spacings to be changed.

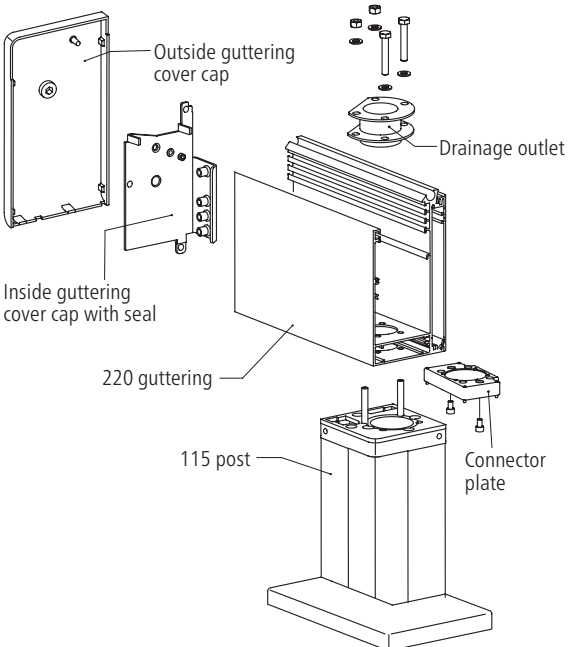
Flexible reactions to structural situations that call for the variable positioning of the posts are also possible.

Maximal indent dimension of the posts



The maximum spacing between the posts can be increased by steel inserts in the guttering. Caution, this can increase the weight of the rain gutter. As snow loads increase, the maximum post spacings reduce accordingly.

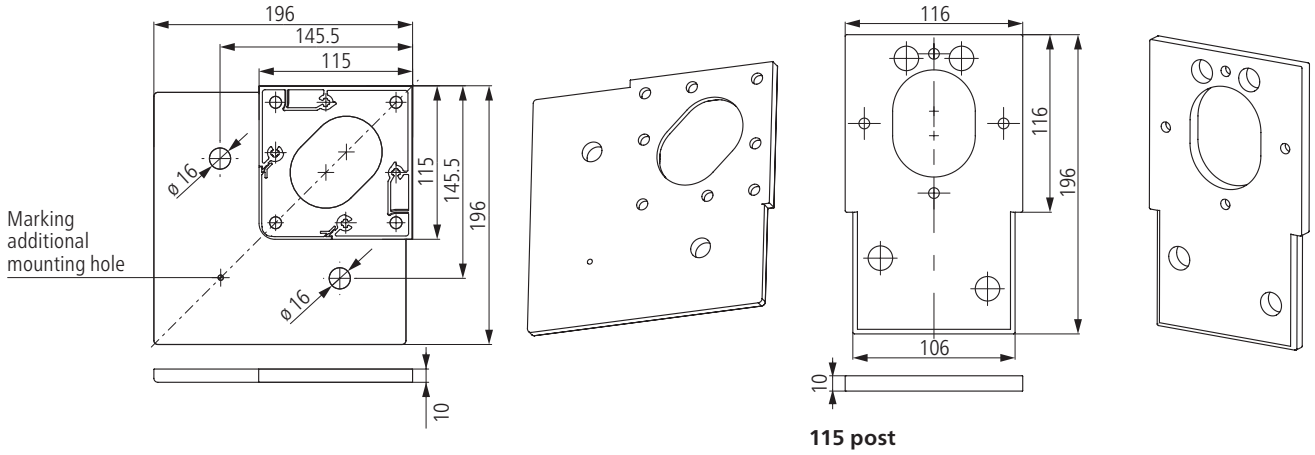
Posts on guttering



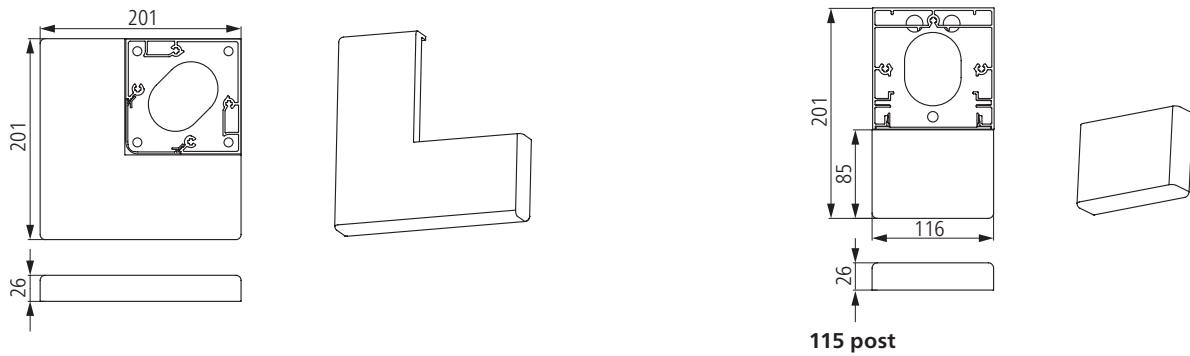
Terrazza Sempra/Plus Posts

Post plates

Post plate for fixing to the foundation

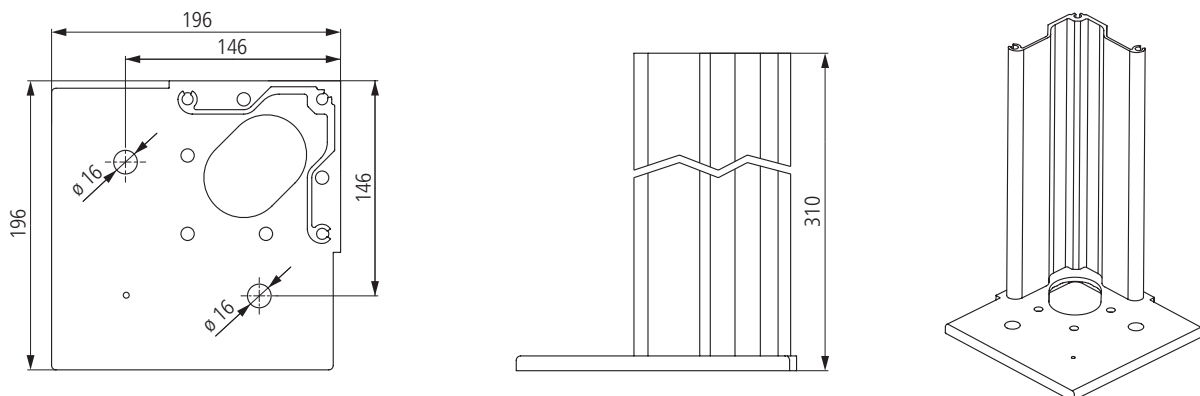


Cover cap on post plate for fixing to the foundation and for covering the attachment screws



Aluminium base

Aluminium base for fixing to the foundation – small aluminium base



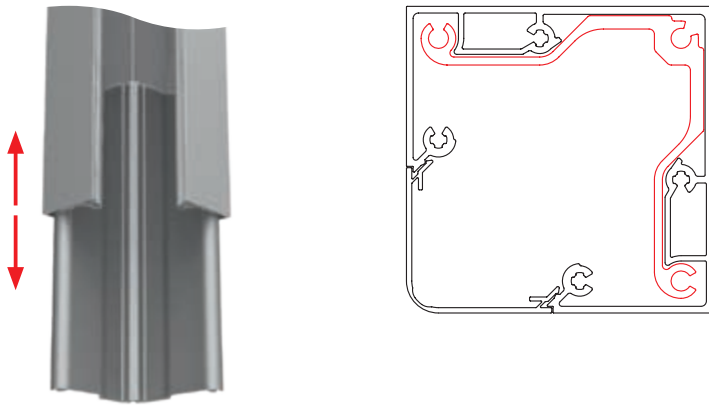
115 post

Terrazza Sempra/Plus Posts

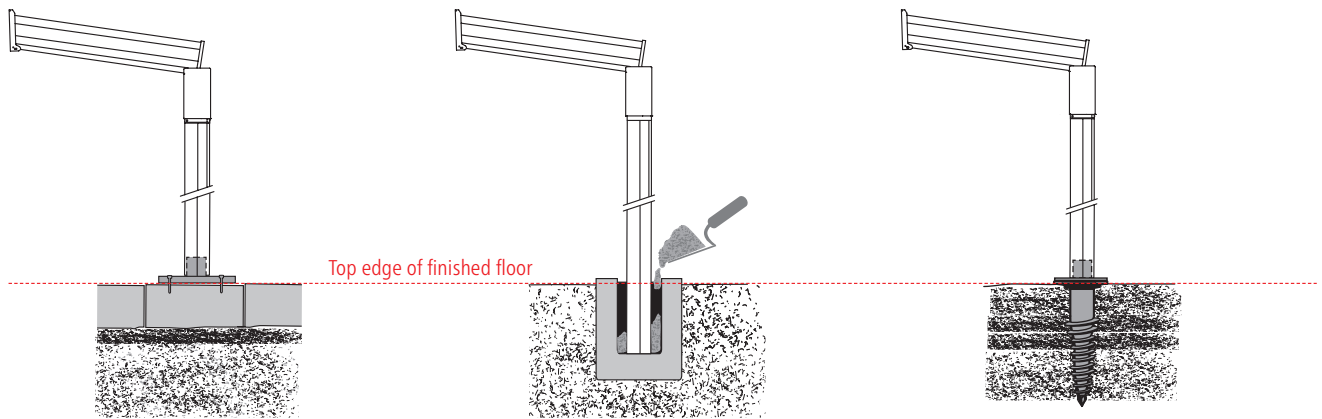
Post fixation

Aluminium post reinforcement profile

The optional extruded insert for the outside posts increases stability for post lengths longer than 2600mm, or situations where you feel it may be necessary.



Post installation

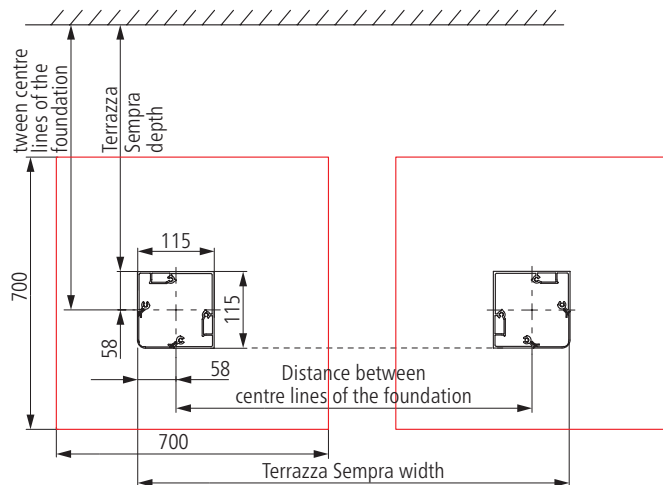


Post fixation on concrete floor slabs or foundations

Bucket foundation

Screw foundation

Foundation plan

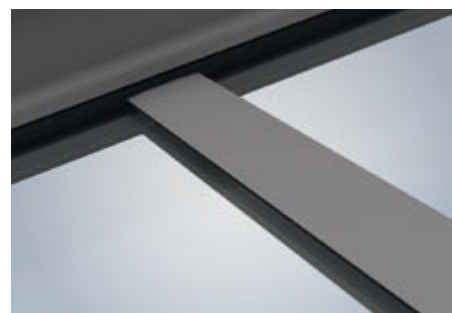
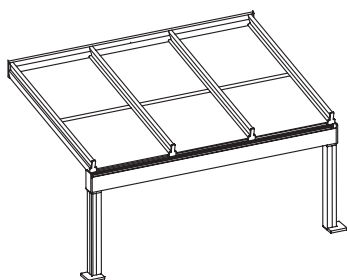


Note:
The specified foundation sizes are guide values and may differ depending on the quality of the ground on site.

Terrazza Sempra/Plus Transoms



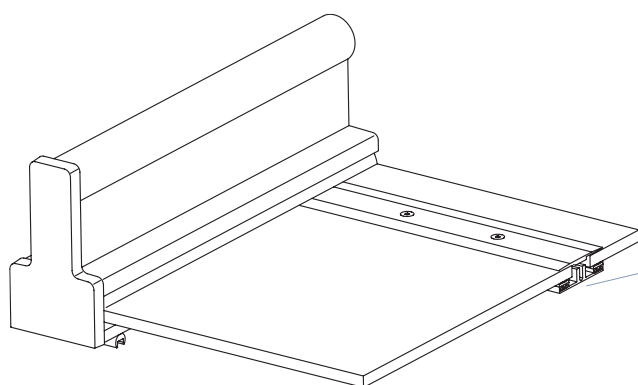
Transoms in the roof area



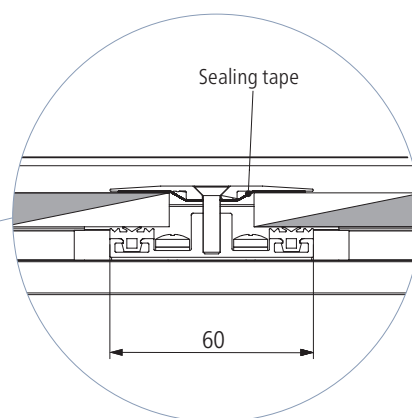
Transom detail

From a pane length of 3,000 mm, it is advisable to split the roof glazing by means of a rigid transom.

The transom in the roof also stiffens the construction, hence improving its structural stability. This is relevant, for example, when using vertical all-glass elements, such as glass doors or side parts.



Roof support with ready-mounted transom



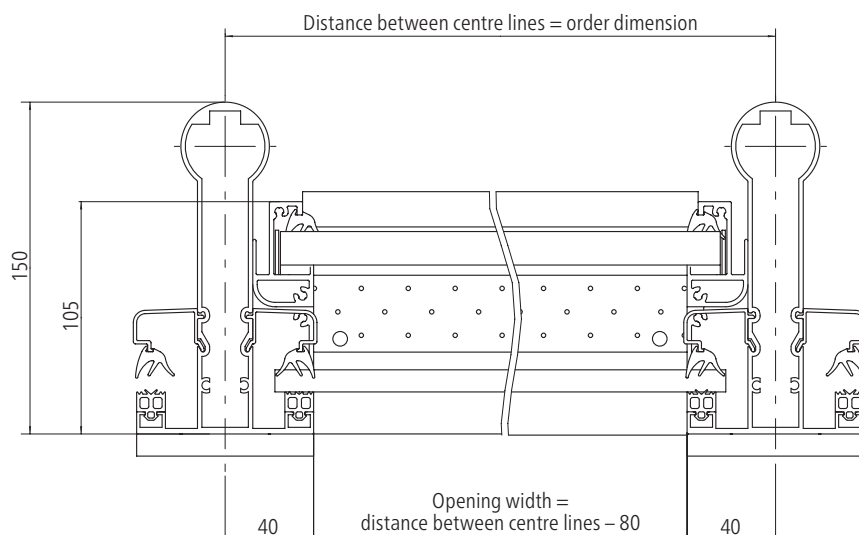
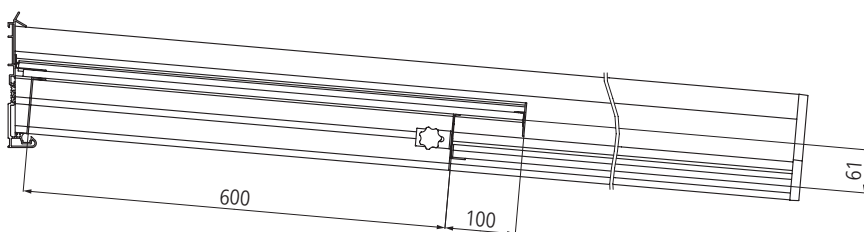
Terrazza sempre/Plus Roof vents



A clever solution: the two offset glass panels of the WeiTop DL permanent roof vent ensure permanent ventilation and hence an agreeable climate.

The benefits

- Transparent all-glass solution for an elegant look
- Always powder-coated in roof colour
- Pre-equipped for the specified roof covering thickness (10, 12 and 16 mm)
- Optional insect screen or winter faceplate for manual assembly



Terrazza sempre/Plus Sun Protection

Vertical sun protection

VertiTex II



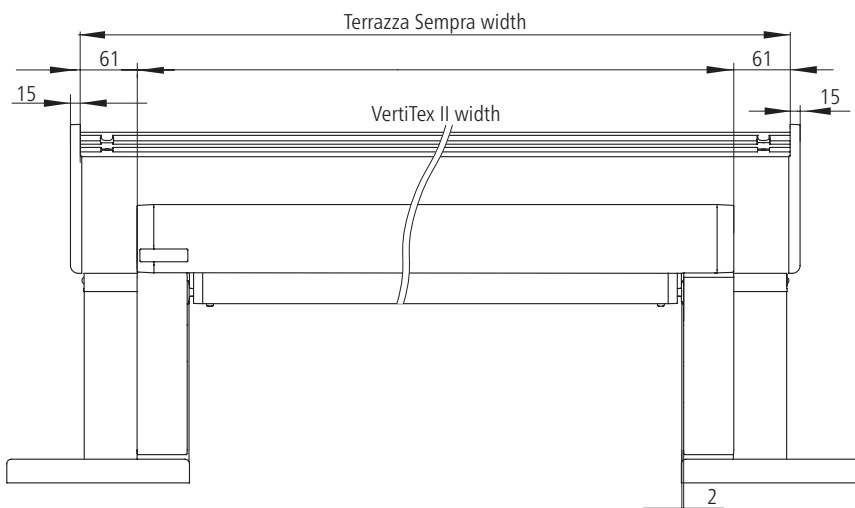
The weinor VertiTex II vertical sun protection offers perfect visual and anti-glare protection. In a fabric from the screens by weinor® collection, it protects against wind and allows the outside to be seen from the inside (transparent from dark to bright). The following versions are available:

- VertiTex II rope or guide rails
- VertiTex II Zip

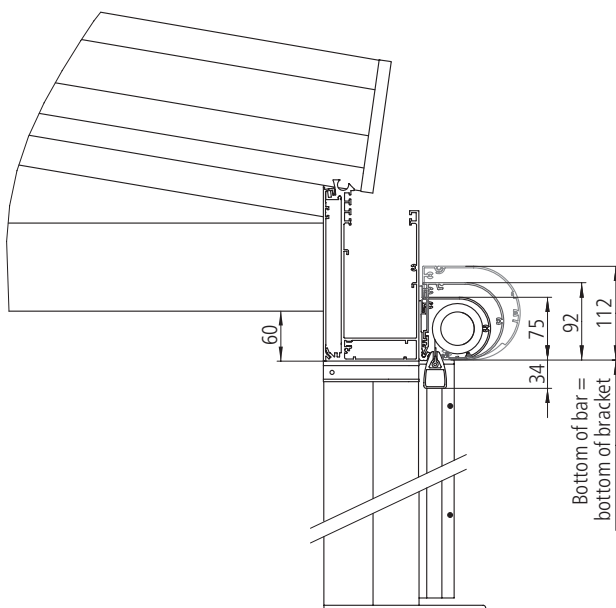
VertiTex II details:

- One piece suitable for large widths up to 600 cm
- Standard installation bottom of bracket = bottom of gutter

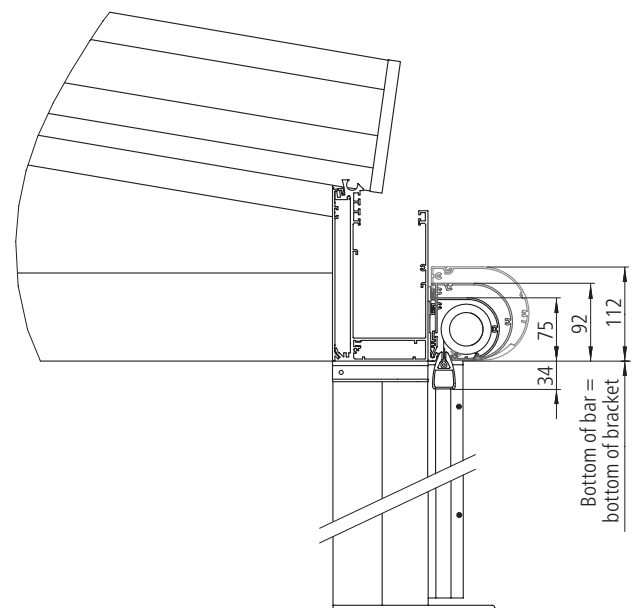
VertiTex II Rail/Zip on Terrazza Sempre



i Additional information can be found in the VertiTex II technical folder.



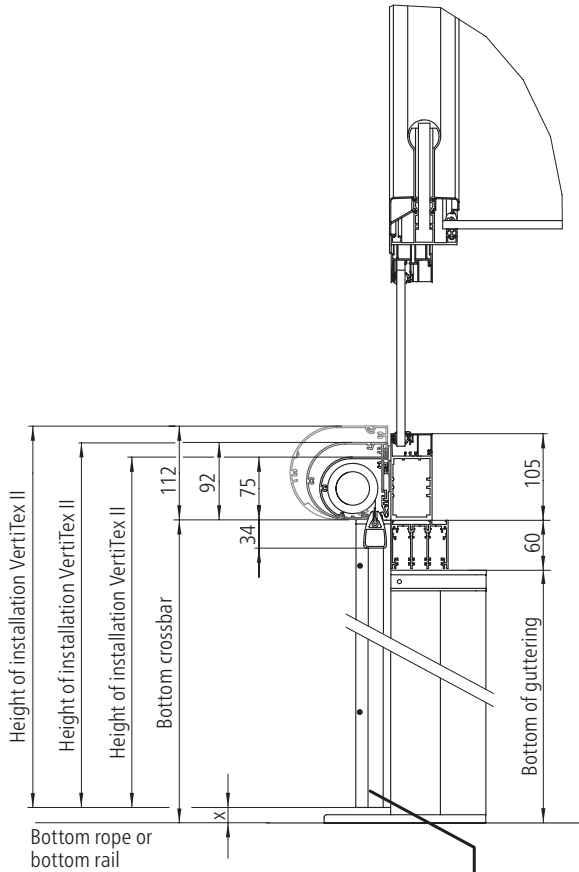
220 guttering with side top lateral locking bar



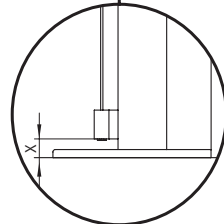
220 guttering with side bottom lateral locking bar

Vertical sun protection

VertiTex II Rope/Rail/Zip 75/92/112 on Terrazza Sempra with 220 guttering and 115 post

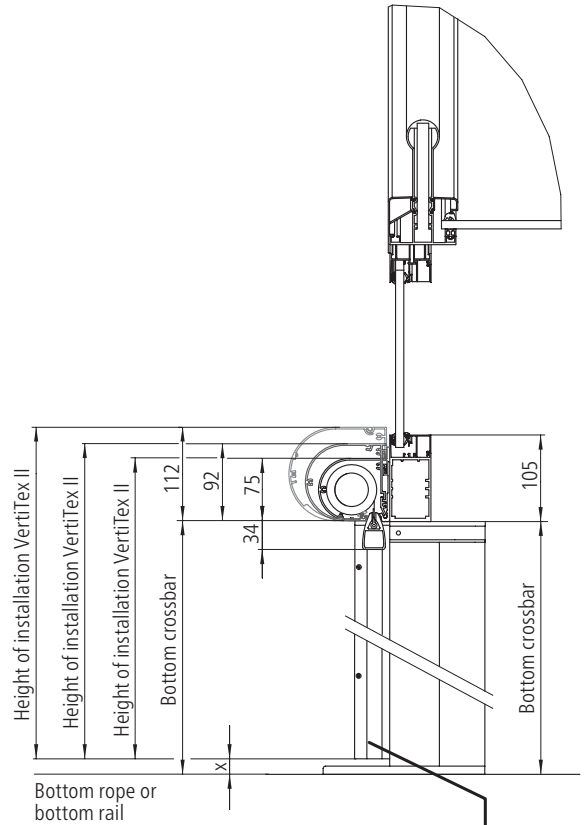


Measure	X
Postplate	- 15
Postplate large	25
with cover cap	- 31

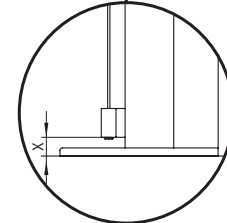


Option rope (only cassette 75/92)

220 guttering with side top lateral locking bar



Measure	X
Postplate	- 15
Postplate large	25
with cover cap	- 31

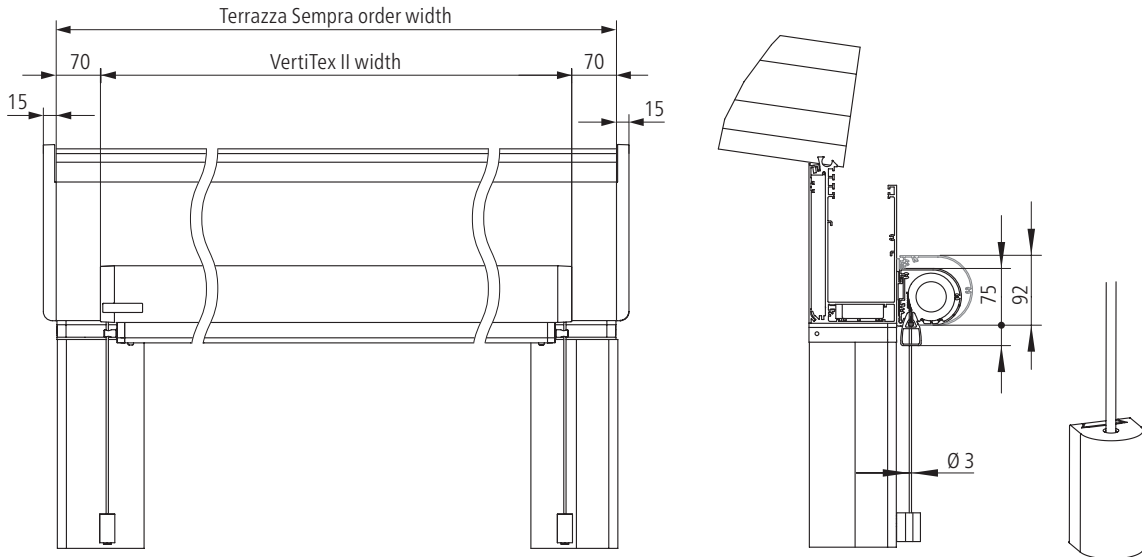


Option rope (only cassette 75/92)

220 guttering with side bottom lateral locking bar

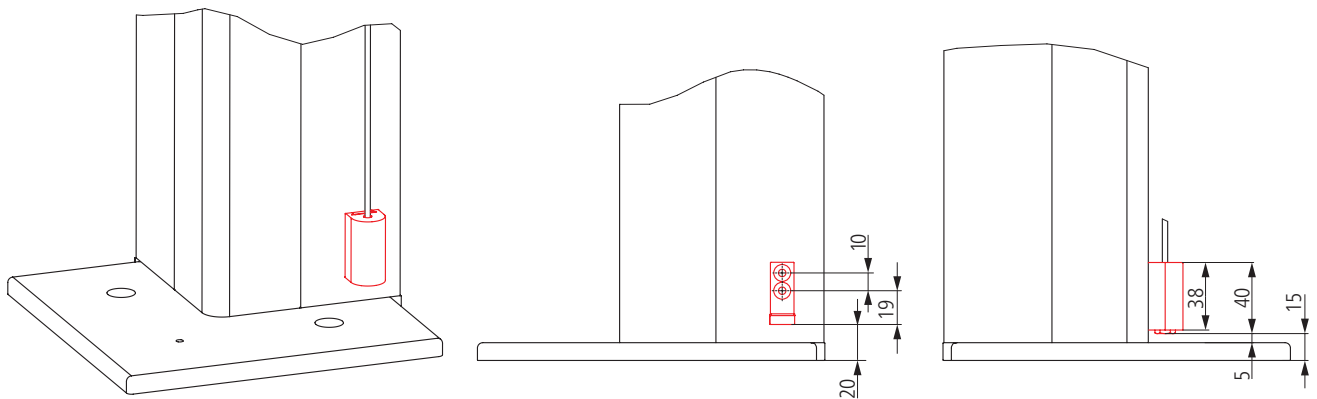
Vertical sun protection

VertiTex II rope on Terrazza Sempra

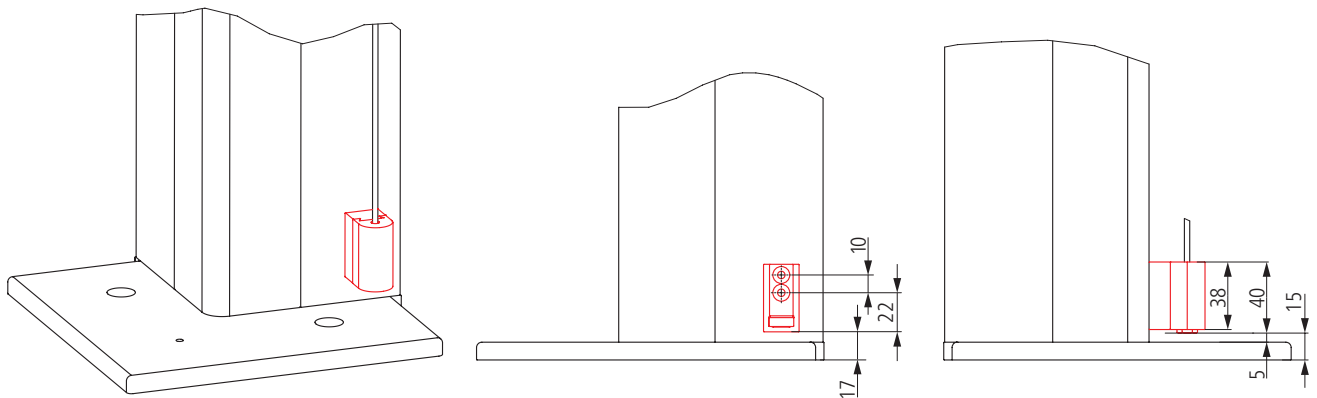


Fabric width = VertiTex II width - 80 mm ± 6 mm permissible tolerance

14 x 35 x 16 mm rope holder on Terrazza Sempra 115 post



115 post with 14 x 35 x 16 mm rope holder (is used with the "indented rope" version)



115 post with 20 x 38 x 28 mm rope holder (is used with the "outside rope guide" version)

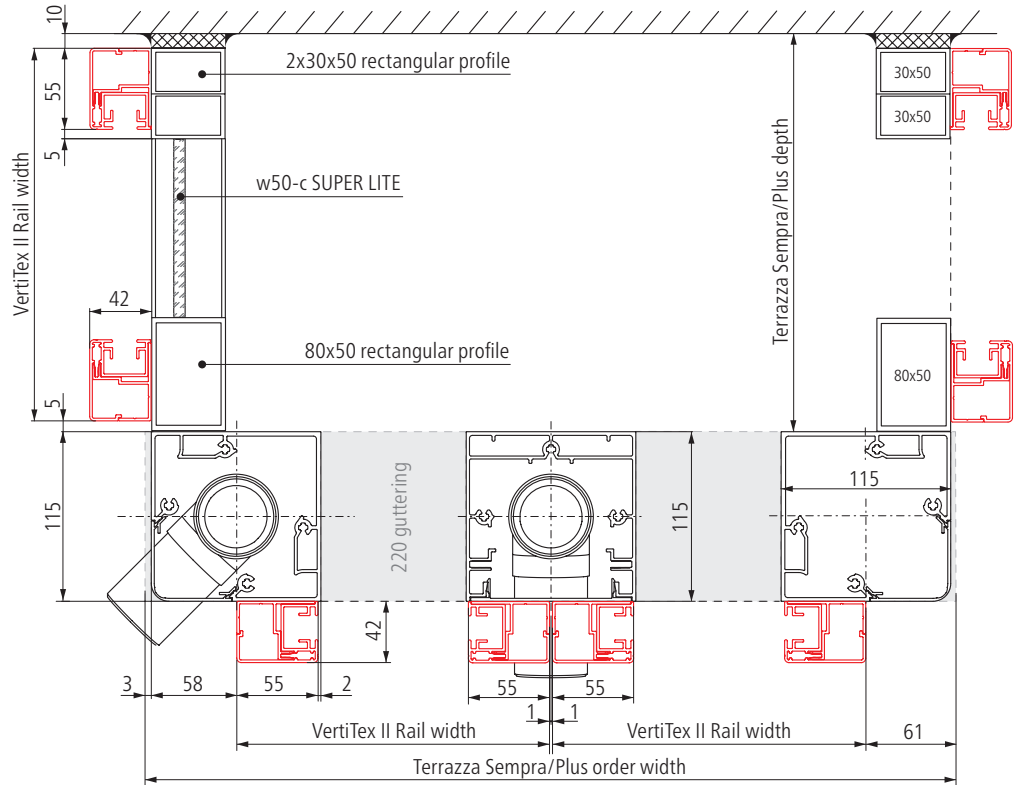
Caution: Only possible with rope guide next to the fabric, e.g. in the centre with multi-section units

Additional information can be found in the VertiTex II vertical sun protection system chapter.

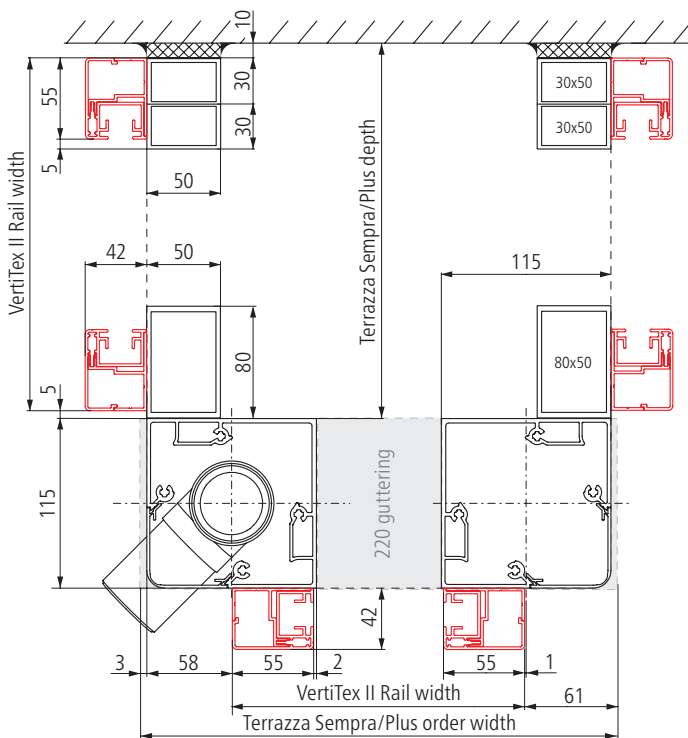
Terrazza Sempra/Plus Sun Protection

Vertical sun protection

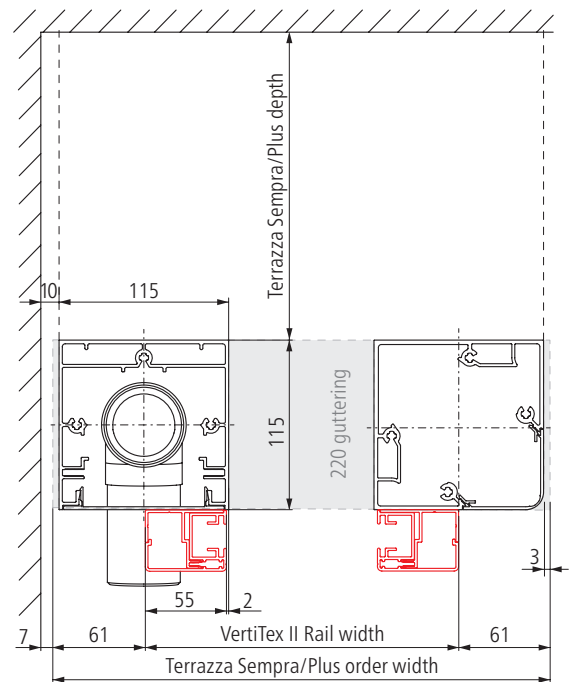
VertiTex II Rail/Zip with 220 guttering and 115 post



VertiTex II Rail/Zip all round, multi-section unit in front



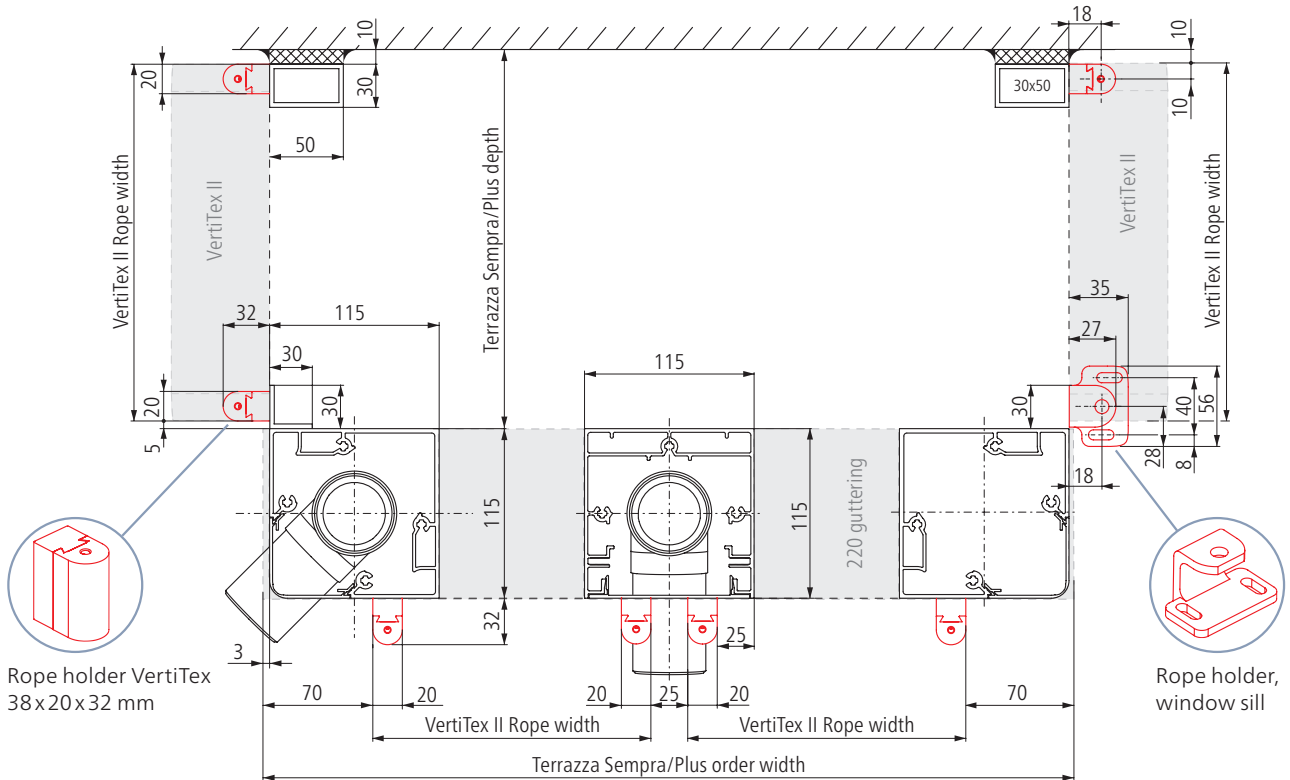
VertiTex II Rail/Zip all round



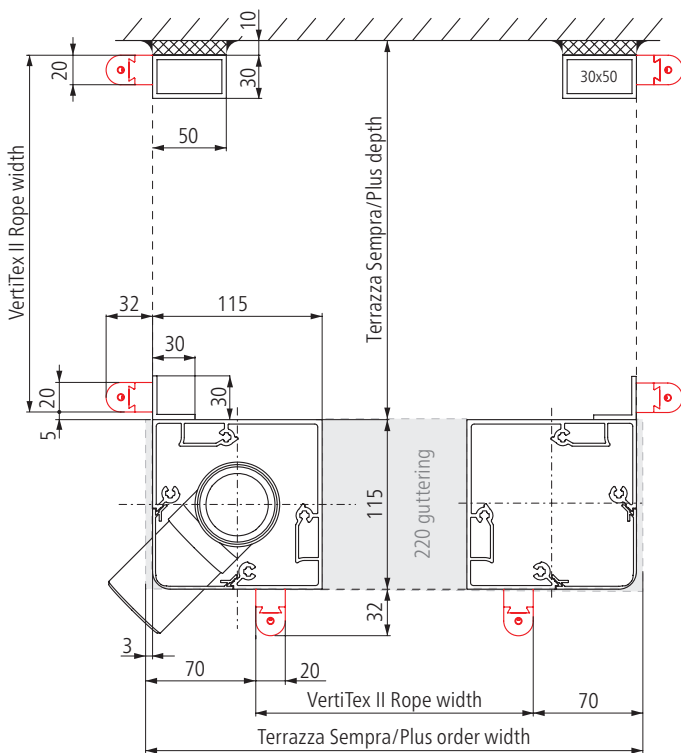
VertiTex II Rail/Zip in front with lateral wall
Note: the guide rails end over the drain pipe as standard (note the PA dimensions)

Vertical sun protection

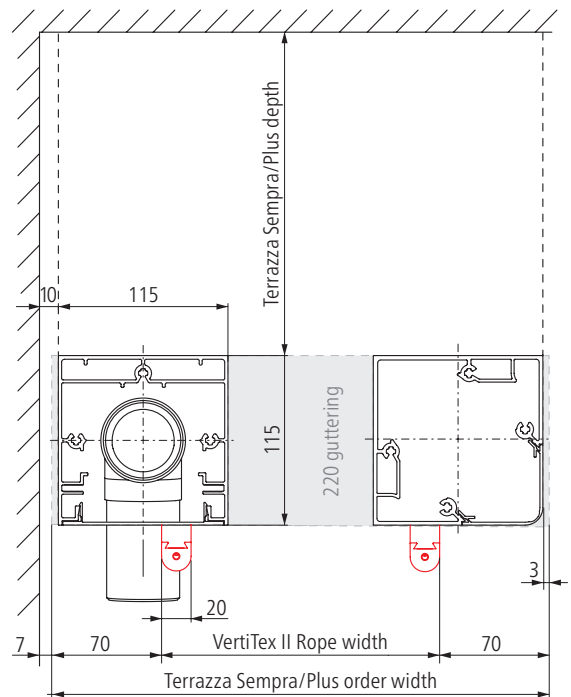
VertiTex II Rope with 220 guttering and 115 post



VertiTex II Rope all round, multi-section unit in front



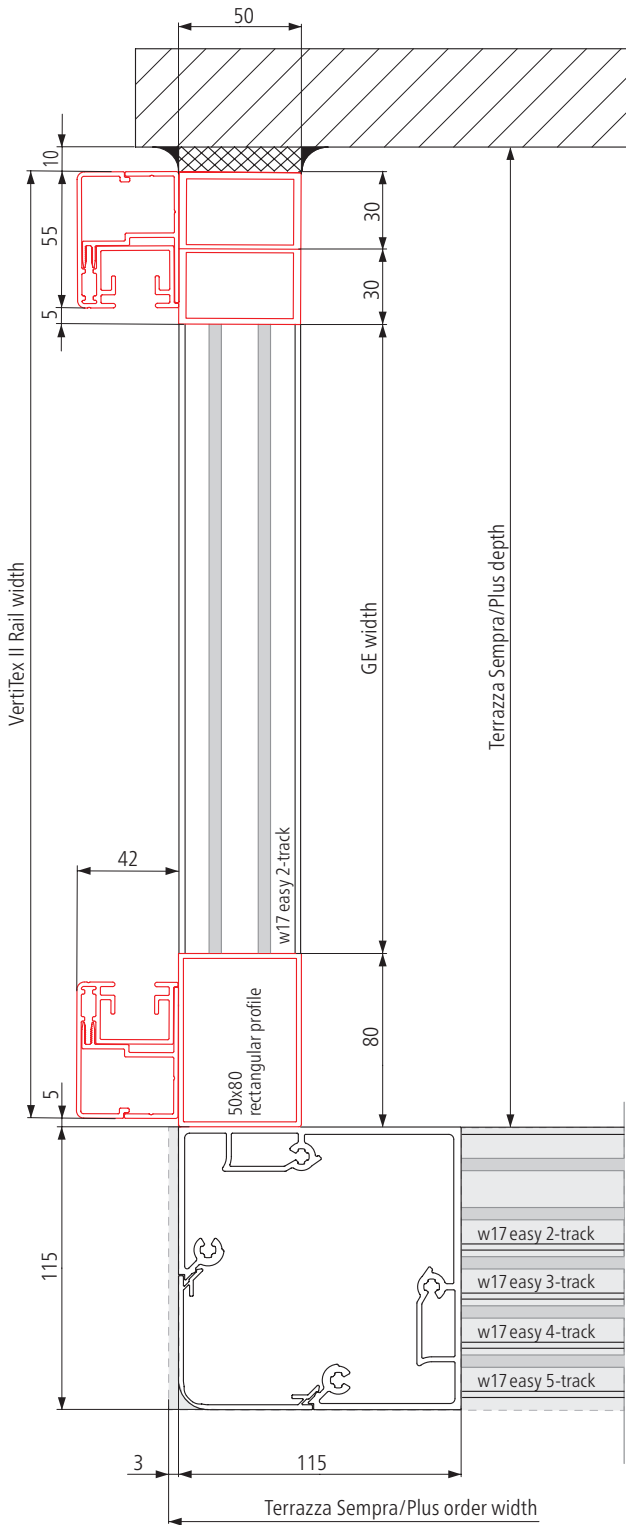
VertiTex II Rope all round



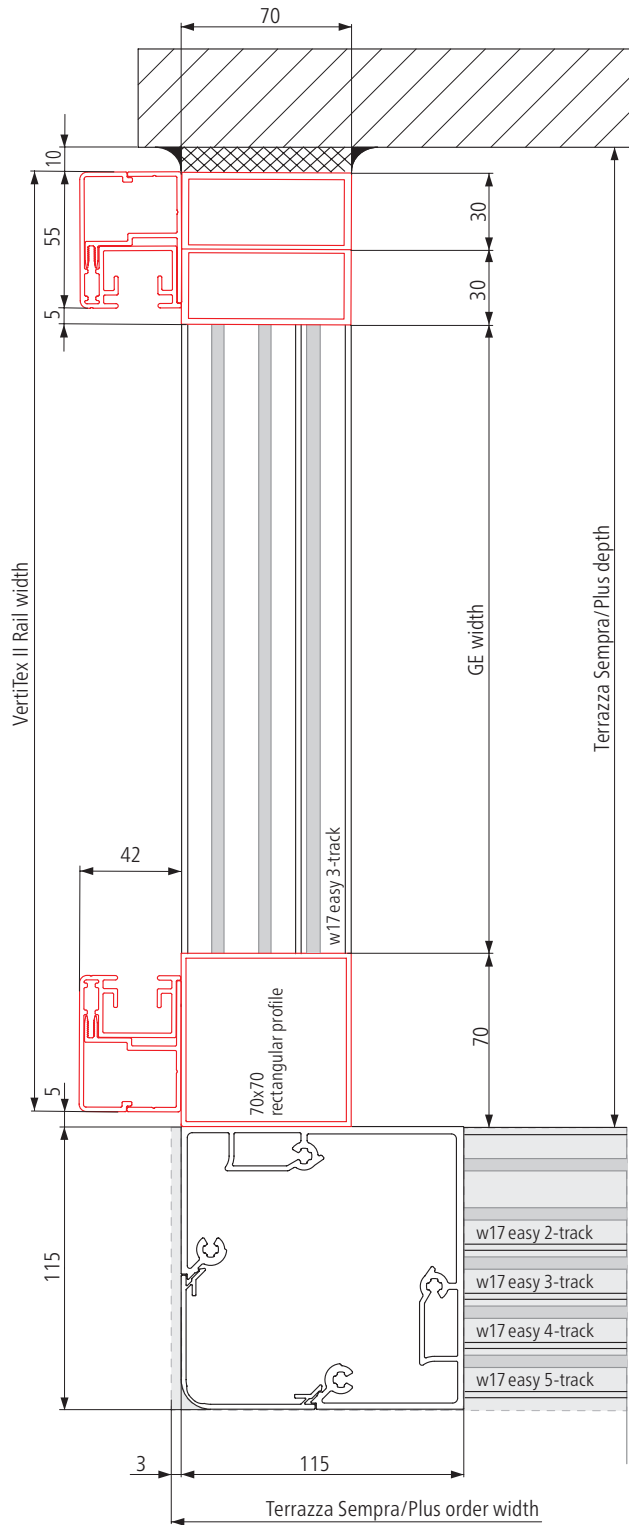
VertiTex II Rope in front with lateral wall
 Note: the guide rails end over the drain pipe as standard (note the PA dimensions)

Vertical sun protection with glazing elements

VertiTex II lateral with w17 easy 2-track

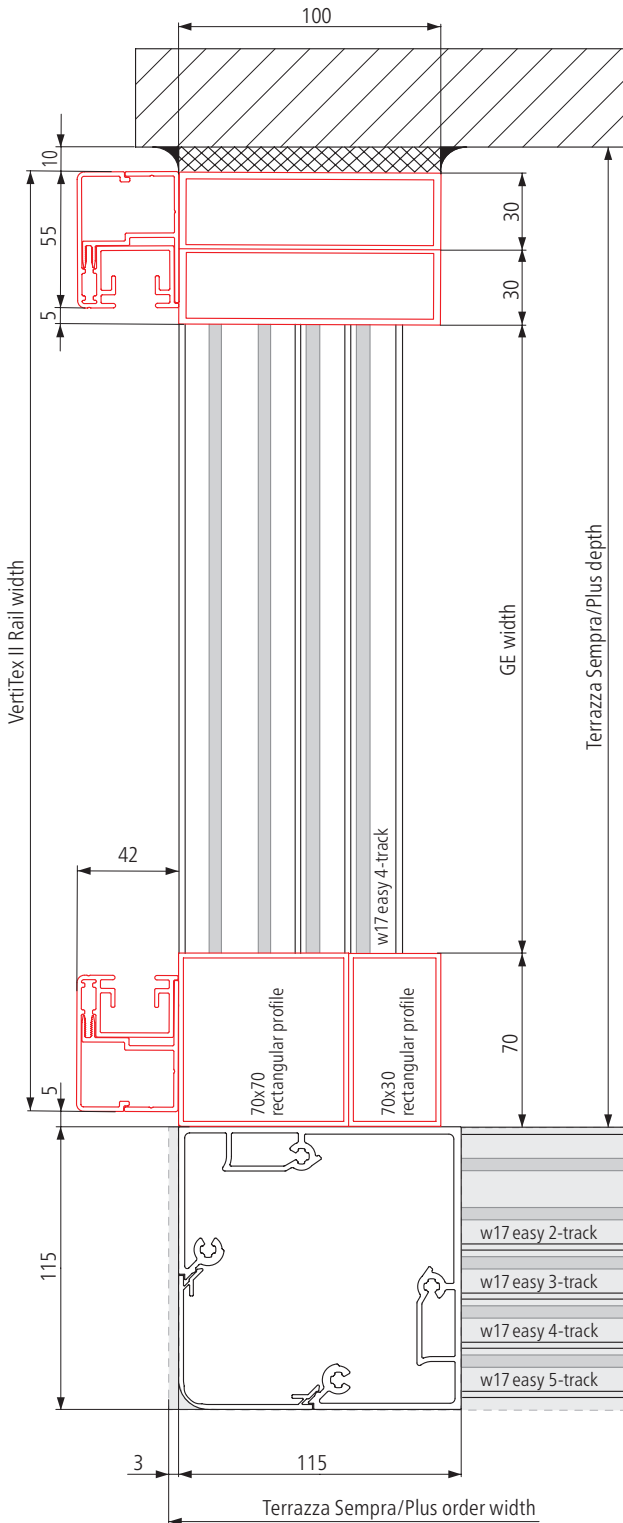


VertiTex II lateral with w17 easy 3-track

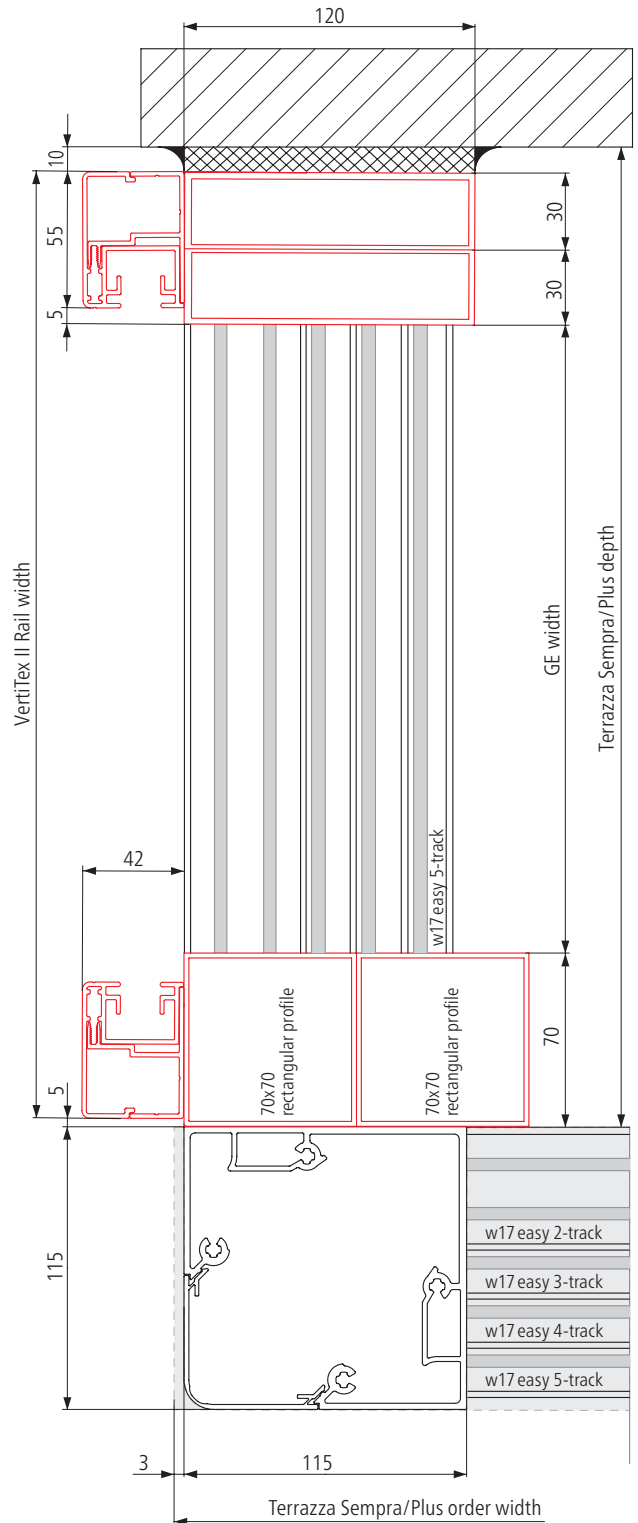


Vertical sun protection with glazing elements

VertiTex II lateral with w17 easy 4-track



VertiTex II lateral with w17 easy 5-track



Terrazza Sempra/Plus Sun Protection

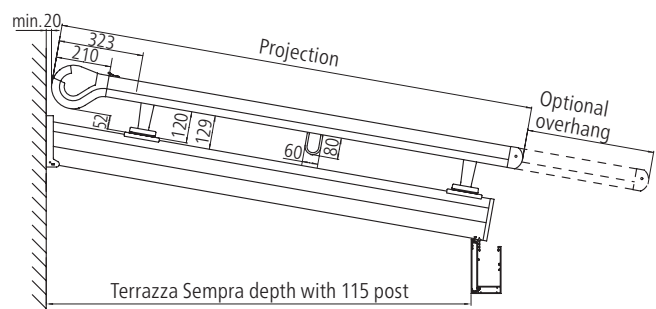
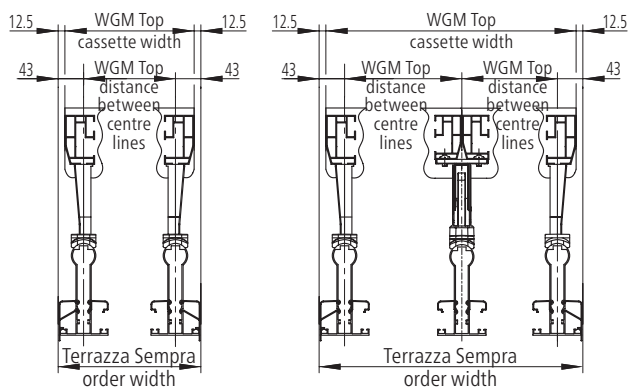
Over roof sun protection

WGM Top – over roof sun protection



Over roof conservatory awnings from weinor protect the Terrazza Sempra patio roof or the Glasoase® from excessive heat build-up.

WGM Top on Terrazza Sempra



Installation on weinor Terrazza Sempra



Installation on a Terrazza Sempra patio roof

Support bracket mounting plate



For weinor Terrazza Sempra L 150 roof support

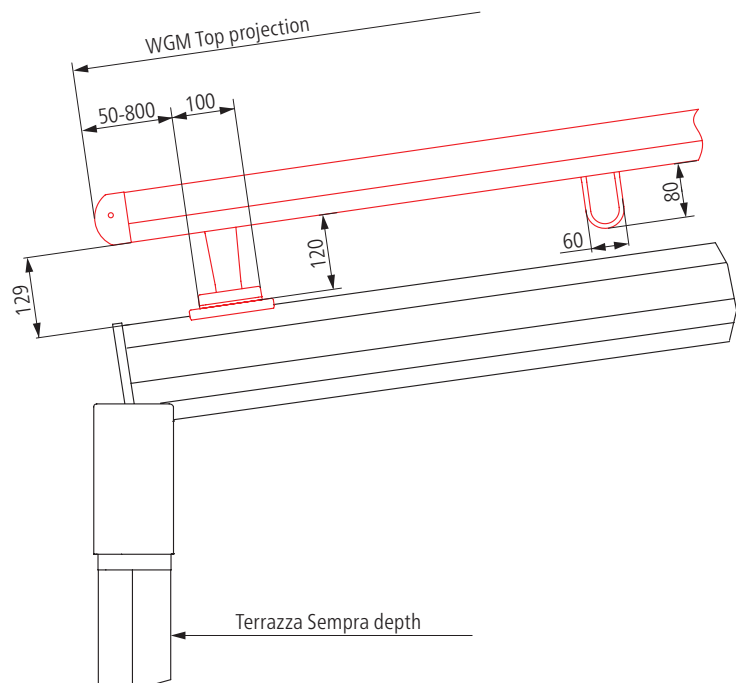
For weinor Terrazza Sempra S 110 roof support

Adaptor plates

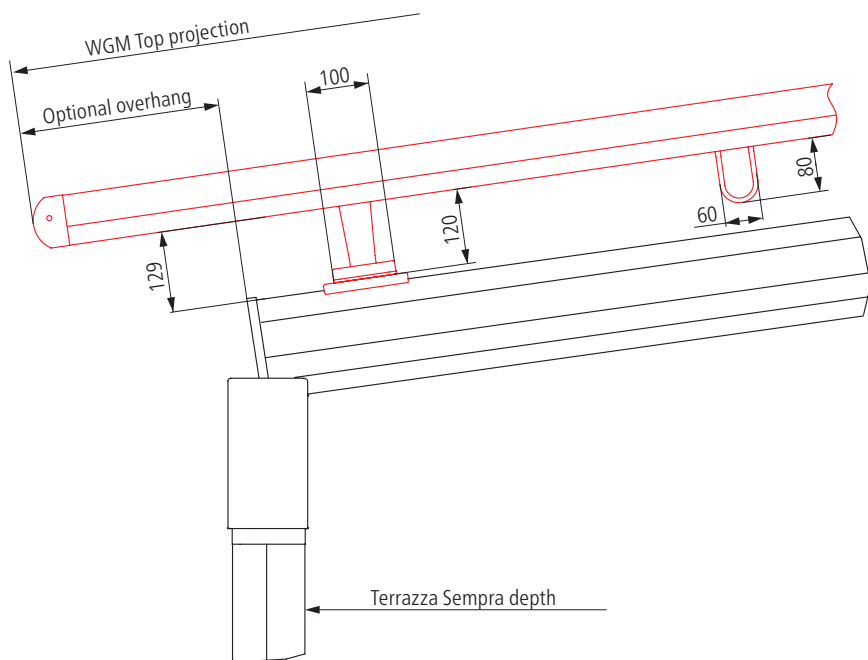
A support bracket preparation is optionally available for conservatory awnings – perfectly matched, as from one system.

Over roof sun protection

WGM Top standard without overhang



WGM Top with overhang



Determining the projection of the conservatory awning

Terrazza Sempra depth (mm)	1000	1500	2000	2500	3000	3500	4000	4500	5000	5500	6000
Roof pitch 5°	1108	1610	2112	2614	3116	3618	4120	4621	5123	5625	6127
Roof pitch 15°	1134	1652	2170	2687	3205	3723	4240	4758	5275	5793	6311

Terrazza Sempra/Plus Sun Protection

Under mounted sun protection

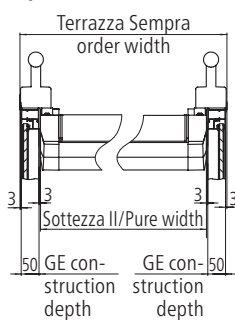
Sottezza II/Pure – undermounted glare protection



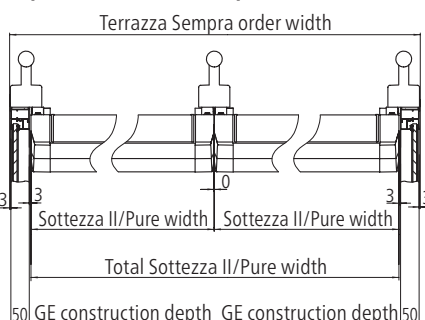
The Sottezza II/Pure is the ideal undermounted sun protection for the weinor Terrazza Sempra/Plus patio roof and for the Glasoase®. On sunny days, it offers pleasant dazzle and sun protection.

Sottezza II/Pure with glazing elements on a free-standing Terrazza Sempra

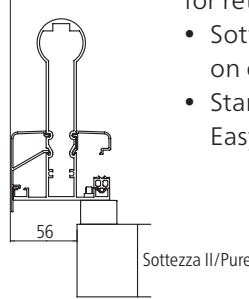
1-panel unit



2-panel unit or two 1-panel units



Terrazza Sempra order width

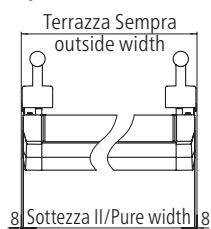


Our recommendation and also ideal for retrofitting:

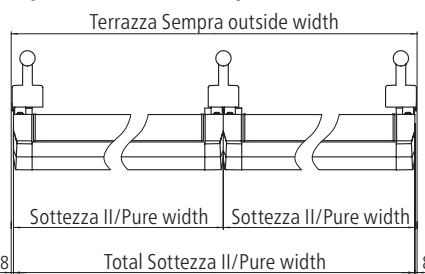
- Sottezza II/Pure indented 50 mm on each side
- Standard for orders via Quick & Easy

Sottezza II/Pure without glazing elements on a free-standing Terrazza Sempra

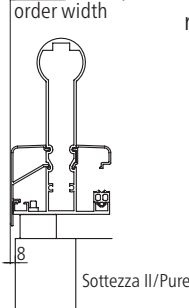
1-panel unit



2-panel unit or two 1-panel units



Terrazza Sempra order width

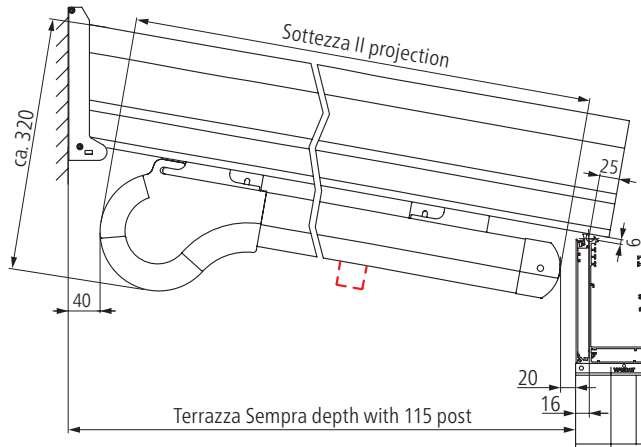


Sottezza II/Pure flush outside on the roof support

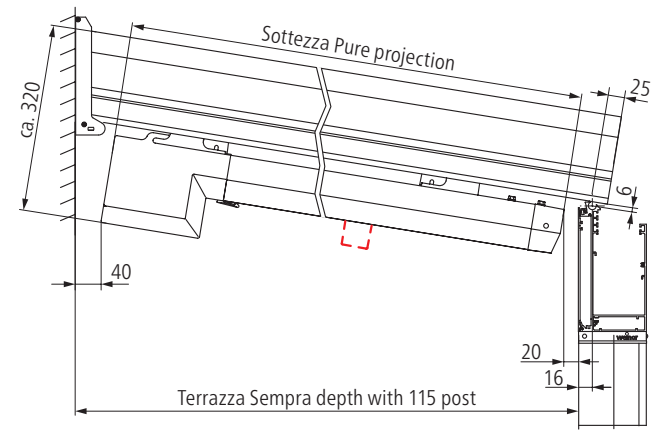
Terrazza Sempra/Plus Sun Protection

Under mounted sun protection

Side view Sottezza II



Side view Sottezza Pure



The sun protection runs below the roof support. Combined with LED light bars or LED Design, the Sottezza II/Pure must be mounted using suitable spacers at a spacing of 30 mm to the roof supports.

Determining the projection of the Sottezza II/Pure

Terrazza Sempra depth (mm)	1000	1500	2000	2500	3000	3500	4000	4500	5000	5500	6000
Roof pitch 5°	940	1442	1944	2445	2947	3449	3951	4453	4955	5457	5959
Roof pitch 15°	959	1476	1994	2512	3029	3547	4064	4582	5100	5617	6135

Standard mounting of Sottezza II/Pure under Terrazza Sempra



Headplate bracket



Side channel bracket

You will receive two headplate brackets as standard for installation on the patio roof. This is mounted to the cassette.

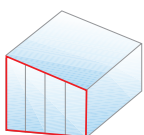
The standard number of side channel brackets can be found in the valid price list.

Terrazza Sempra/Plus Glasoase®

Glazing elements

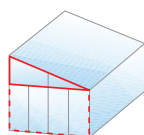


The weinor Glasoase® elegant cold conservatory system comprises a Terrazza Sempra patio roof and flexible or fixed, all-glass elements. All system components are available from weinor. This creates a host of combination options. The most diverse glazing elements offer protection where it is required, and allow the Glasoase® to be opened whenever desired.



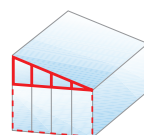
SUPER LITE w50-c side element

- Maximum transparency
- Adds fixed glazing to the Glasoase® design
- Very attractively priced
- All-glass fixed glazing under the side Terrazza Sempra roof support



LITE w50-c side element

- Highly transparent
- Attractively priced
- Fixed glazing under the lateral Terrazza Sempra patio roof rack (trapezoid), can be combined with w17 easy

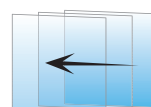


CLASSIC w50-c side element

- Extremely robust and stable
- Load-bearing
- Very good value for money
- Fixed glazing below the Terrazza Sempra side patio roof support (trapezoid with vertical staves), can be combined with w17 easy

weinor all-glass walls

Alongside an all-round view, weinor all-glass walls provide reliable protection against the wind and driving rain. Available as fixed or sliding models depending on your preferences and needs. All systems are basically suitable for patio roofs, loggias and balconies.



Full glass sliding door w17 easy

- Opens sideways
- Actuator for easy closing
- Requires several guide rails
- Standing construction

weinor Glasoase® Benefits

Frameless all-glass elements allow the weinor patio roof to be expanded into the Glasoase®. This creates transparent weather protection with an unspoiled panoramic view to prolong the patio season. All weinor system components fit together perfectly and can be retro-fitted.



Flexible, vertical all-glass elements

Enable partial or complete opening of the Glasoase®, depending on the version, to suit individual requirements



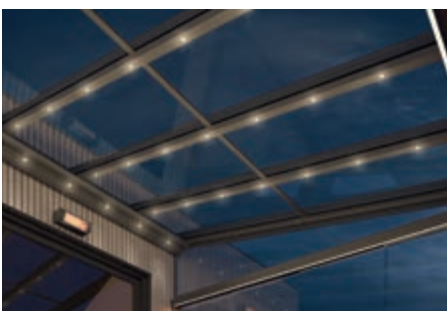
Fixed glazing

For complete sides or lateral trapezium glazing, can be combined with flexible all-glass elements



Suitable sun protection

Glare, heat and privacy protection with sun protection solutions upon request



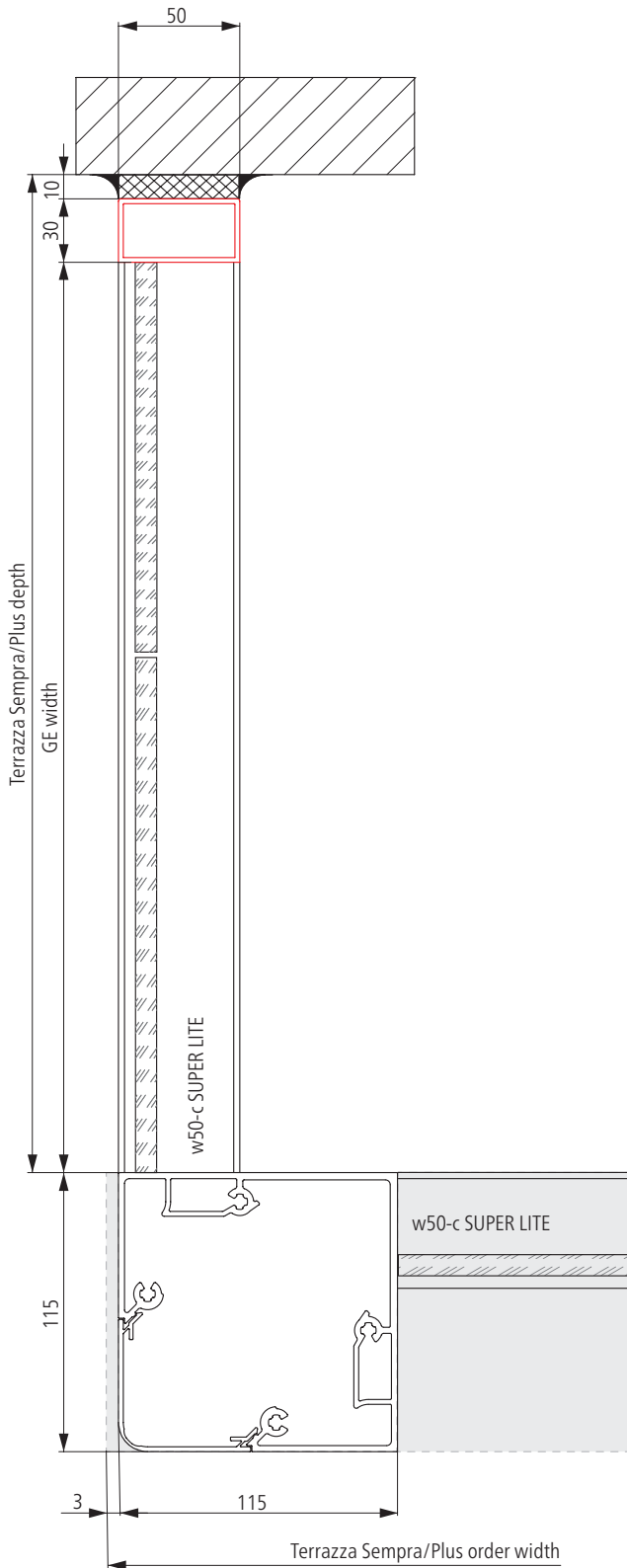
Expandable system

can be retro-fitted by further accessories even after many years, thanks to the modular range:

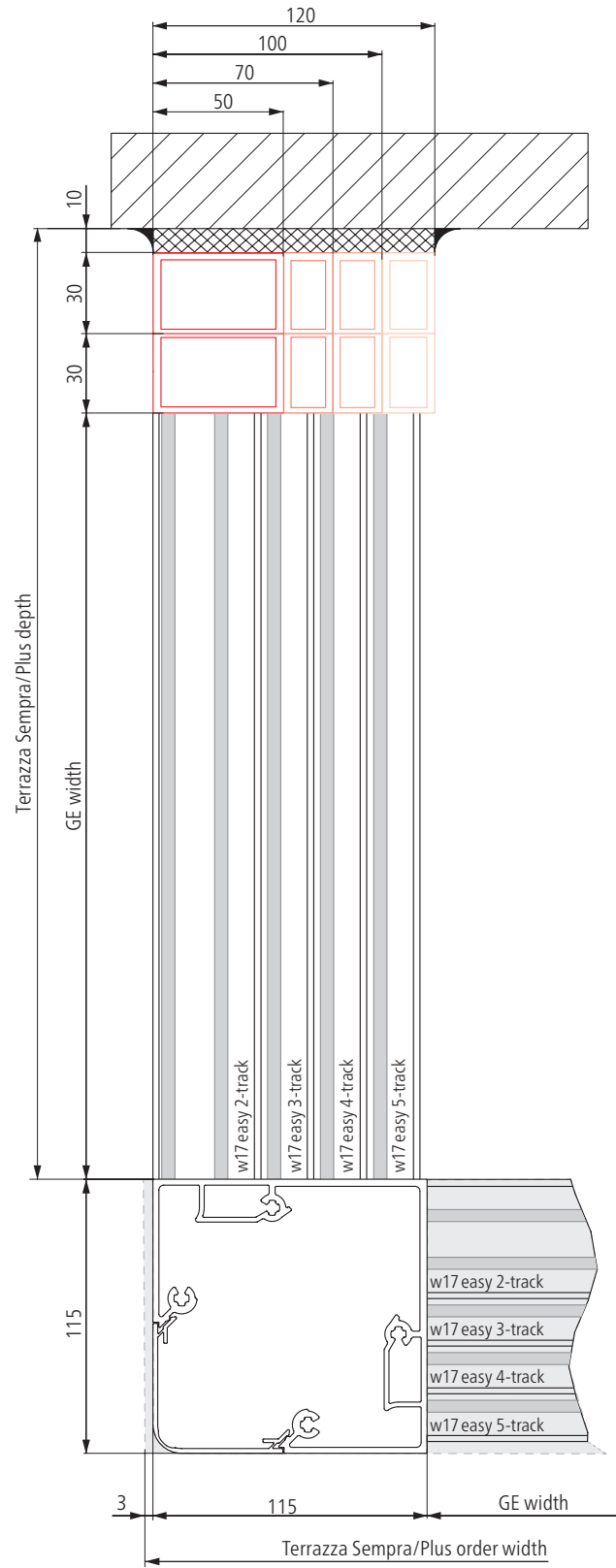
- Patio lighting
- Tempura
- Roof vent
- BiConnect remote control
- Roof or vertical sun protection

w50-c side element SUPER LITE and w17 easy

Terrazza Sempra/Plus with w50-c SUPER LITE

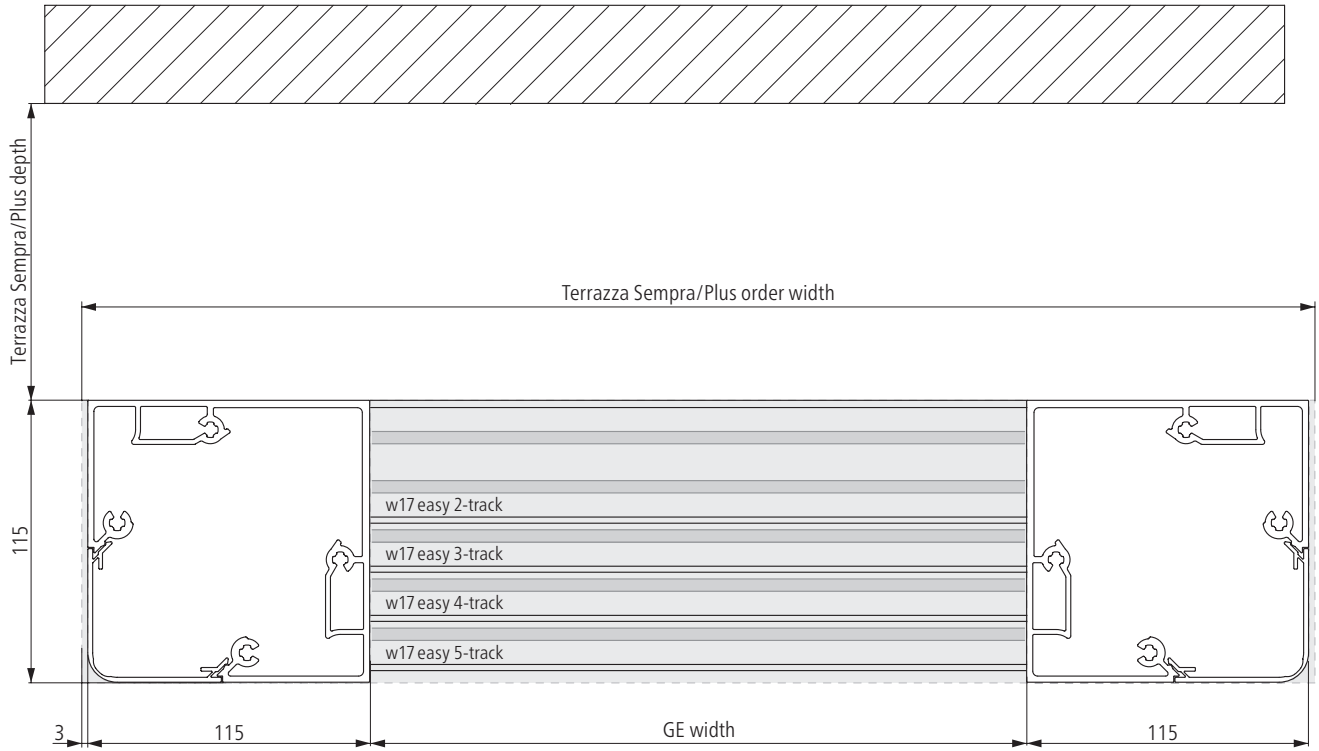


On one side at the front, 2-5-track



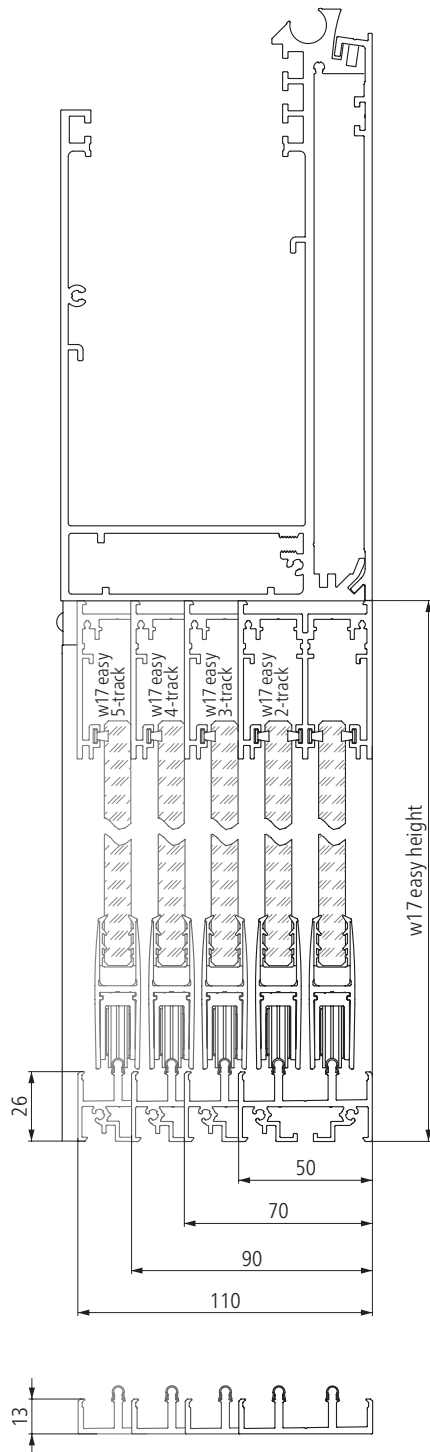
w17 easy

At the front between posts, 2-5-track



220 guttering with w17 easy

At the front between posts, 2 to 5-track



At the front behind posts, 2 to 5-track

