

Plas-Pro Subframe Construction :

100x100mm posts to be $\frac{1}{3}$ in the ground and $\frac{2}{3}$ in the ground with a minimum of 400mm in the ground

125x50mm bearers to be fixed to posts with 2 no. Durafix Hexhead screws with oversized pilot holes

125x50mm joists to be fixed to bearers at every intersection

125x50mm joists to have staggered joints across bearers with a 10mm gap between joist ends

100x100mm Plas-Pro

10mm Gap

125x50mm Plas-Pro

millboard®

Live.Life.Outside.

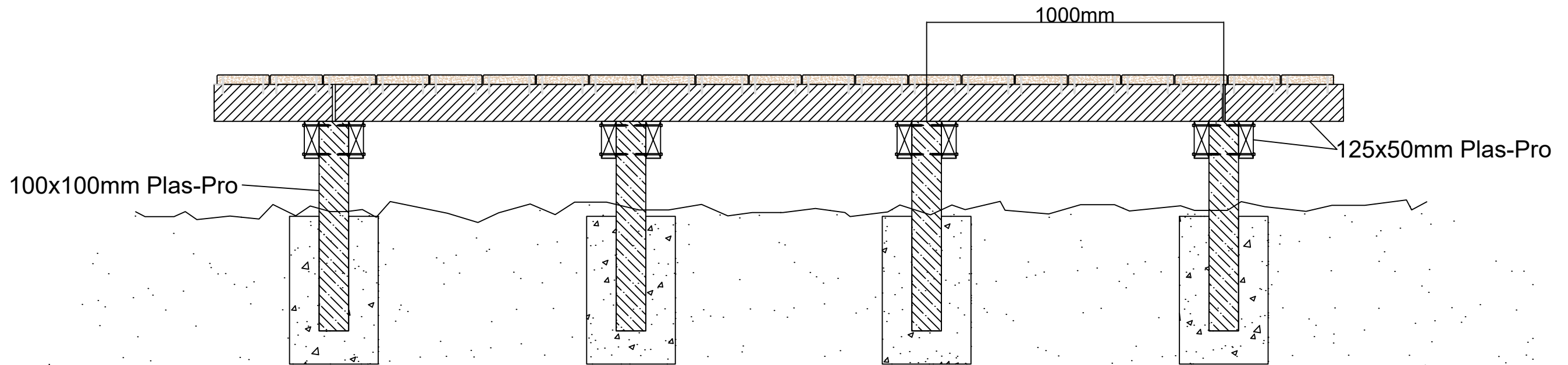
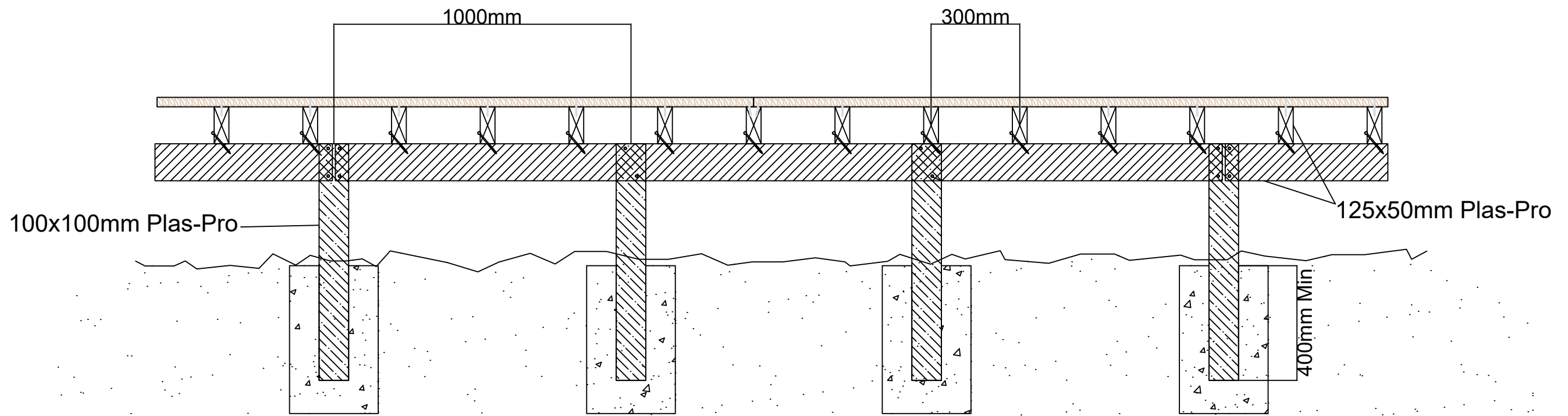
Typical Plas-Pro Setting Out Details for Commercial loading up to 5kN/m2

Plan View

The Millboard Company Ltd
 UK Head Office
 Castle Court
 Bodmin Road
 Coventry CV2 5DB

T: +44 24 7643 9943
 E: enquiries@millboard.co.uk
 W: millboard.co.uk

Company Registered No.06061318
 © The Millboard Company Ltd



millboard®

Live.Life.Outside.

Typical Plas-Pro Setting Out Details for Commercial loading up to 5kN/m²

Side/End View

The Millboard Company Ltd
 UK Head Office
 Castle Court
 Bodmin Road
 Coventry CV2 5DB

T: +44 24 7643 9943
 E: enquiries@millboard.co.uk
 W: millboard.co.uk

Company Registered No.06061318
 © The Millboard Company Ltd