

**Plas-Pro Subframe Construction :**

100x100mm posts to be  $\frac{1}{3}$  in the ground and  $\frac{2}{3}$  in the ground with a minimum of 400mm in the ground

125x50mm bearers to be fixed to posts with 2 no. Durafix Hexhead screws with oversized pilot holes

125x50mm joists to be fixed to bearers at every intersection

125x50mm joists to have staggered joints across bearers with a 10mm gap between joist ends

millboard®

Live.Life.Outside.

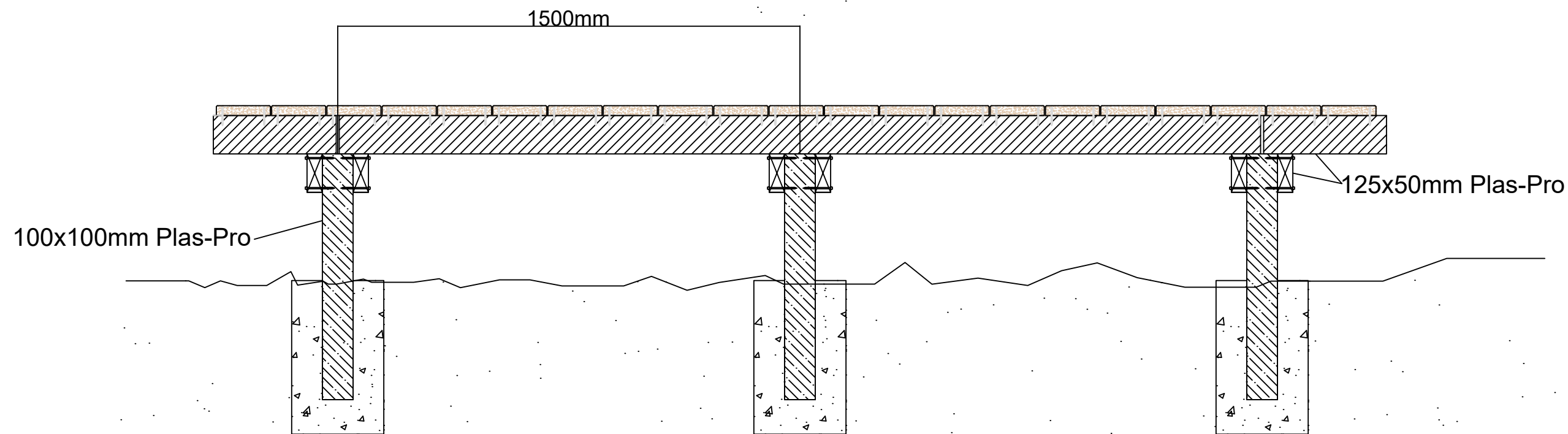
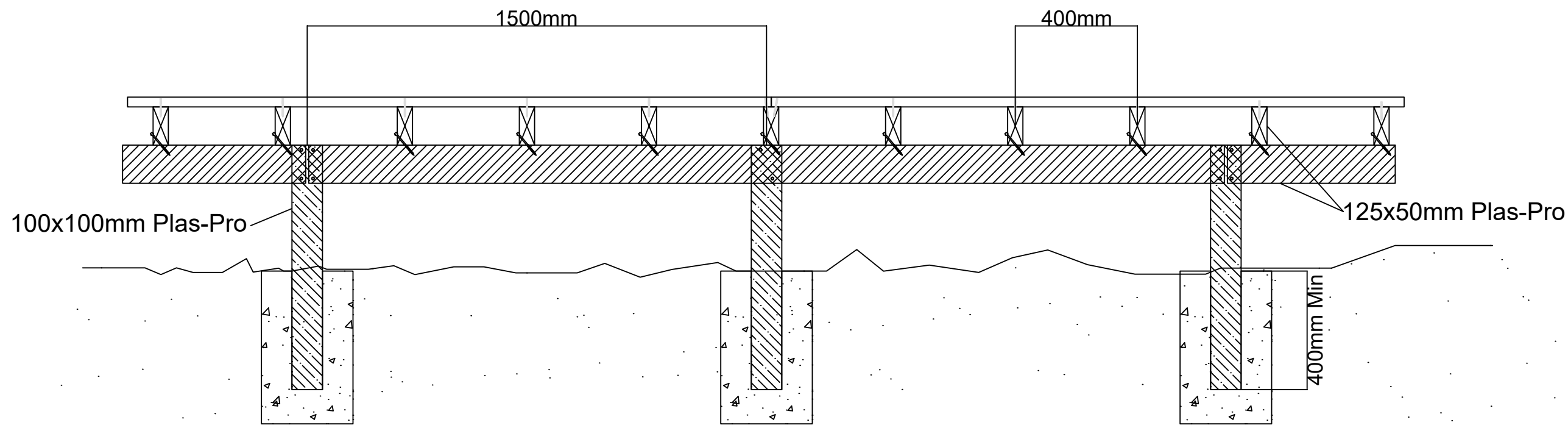
Typical Plas-Pro Setting Out Details for Residential loading up to 2.5kN/m2

Plan View

The Millboard Company Ltd  
 UK Head Office  
 Castle Court  
 Bodmin Road  
 Coventry CV2 5DB

T: +44 24 7643 9943  
 E: enquiries@millboard.co.uk  
 W: millboard.co.uk

Company Registered No.06061318  
 © The Millboard Company Ltd



millboard®

Live.Life.Outside.

Typical Plas-Pro Setting Out Details for Residential loading up to 2.5kN/m<sup>2</sup>

Side/End View

The Millboard Company Ltd  
 UK Head Office  
 Castle Court  
 Bodmin Road  
 Coventry CV2 5DB

T: +44 24 7643 9943  
 E: enquiries@millboard.co.uk  
 W: millboard.co.uk

Company Registered No.06061318  
 © The Millboard Company Ltd