

millboard®

Live.Life.Outside.



## Enhanced Grain SB

Add a touch of distinction  
with our versatile, slim decking board



# Create your ideal outdoor living space

Unrivalled choice of pattern and colour combinations, using premium materials.

◀ All images featured within this brochure show Enhanced Grain (176mm wide) mixed with Enhanced Grain SB (126mm wide) decking boards.

**Enhanced Grain SB  
Antique Oak**  
Shown with a random board layout

Enhanced Grain SB shares the low-maintenance and slip-resistant properties that all Millboard decking offers. And it is beautiful to look at, of course – moulded from real oak and hand finished to replicate the fine detail and imperfections of natural timber. This multi-use 126mm decking board can be used alongside the standard 176mm Enhanced Grain board to individualise your outside living space and create something truly distinctive. And like all Millboard products – it will look great and perform beautifully for years to come.

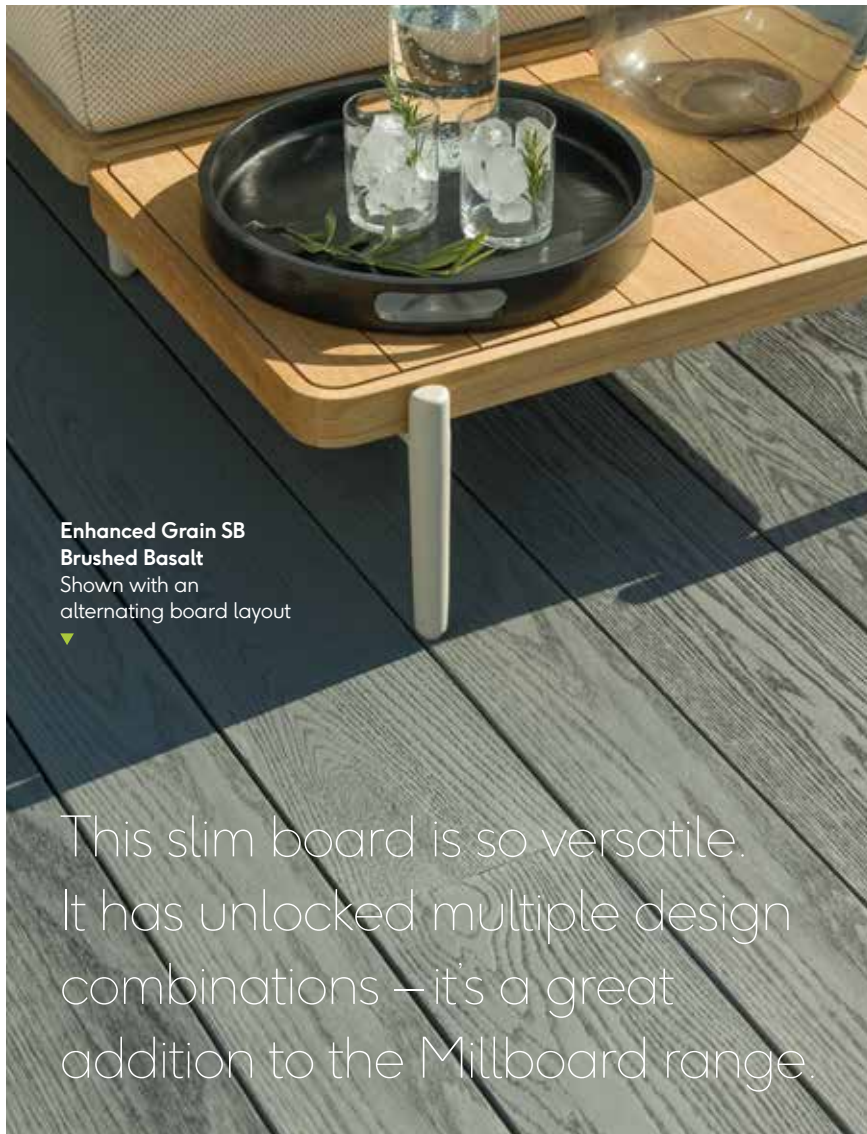
## Enhanced Grain SB board dimensions\*

<b>Board size:</b>	126 x 3600 x 32mm
<b>Coverage:</b>	2.14 boards per m <sup>2</sup>
<b>Weight:</b>	8.5kg per board

\*Enhanced Grain SB is 50mm narrower than our standard Enhanced Grain board.



▶ **Enhanced Grain SB**  
Features a single-side edge grain detail



**Enhanced Grain SB**  
**Brushed Basalt**  
Shown with an  
alternating board layout

This slim board is so versatile.  
It has unlocked multiple design  
combinations – it's a great  
addition to the Millboard range.



**Versatile design**

Can be used for creating desired  
deck designs



**Smaller Width**

Alternate width allows for good step  
tread and edging applications



**Square-edge profile**

Suited to more contemporary,  
modern style projects



**Hand moulded and coloured**

Skilfully hand-crafted to ensure a high  
quality, premium product



**High slip-resistance**

Lower slip potential than timber due to  
the pliable Lastane® layer

Live.Life.Outside.



Enhanced Grain SB  
Smoked Oak

Shown as an edging feature and an  
alternating layout within the main deck

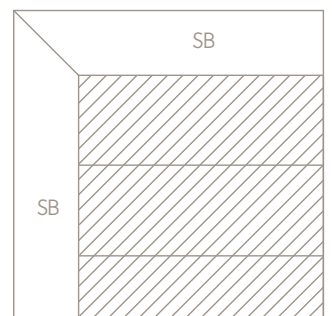
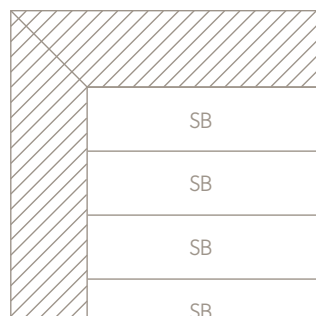
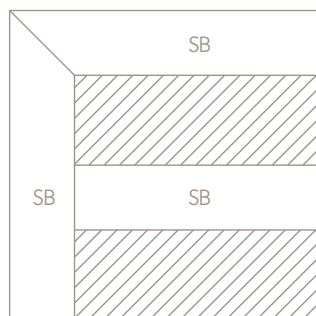
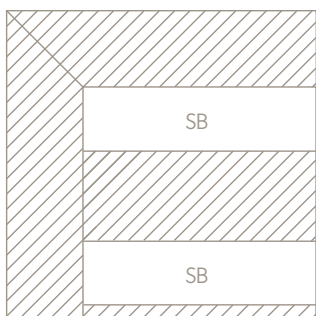


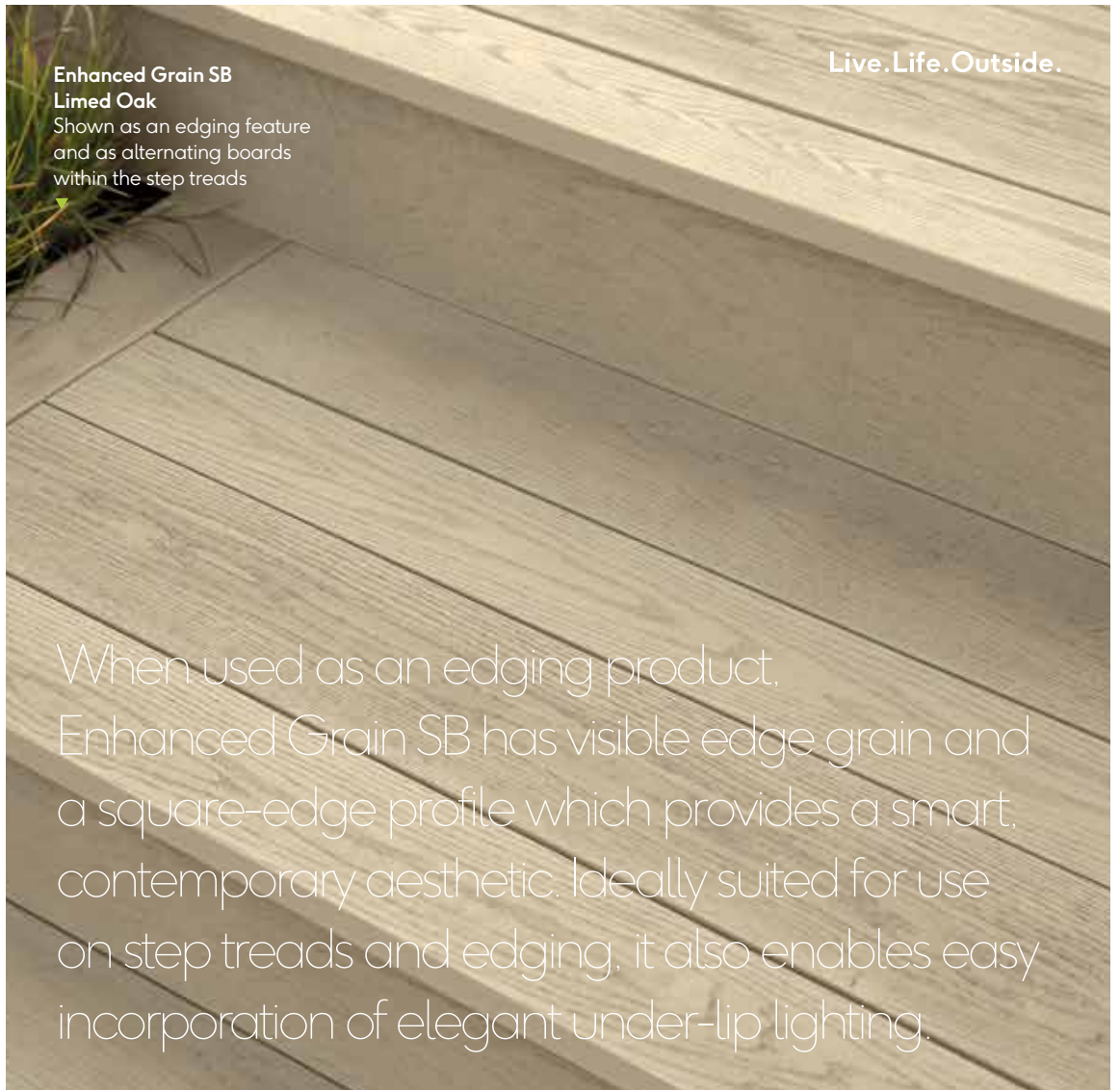
▲  
**Enhanced Grain SB**  
**Golden Oak**  
 Shown as an alternating board layout

## Combining beauty with versatility

Enhanced Grain SB is a narrower decking board, designed to provide endless design possibilities when combined with our standard sized board.

The different width boards can be combined in an alternating or random pattern, instantly elevating any deck design and making your decking unique to you and your garden. Enhanced Grain SB can also be used as edging to define a specific area of deck in a 'picture-framing' effect, in the same colour as the main deck or in a contrasting colour.





Live.Life.Outside.

**Enhanced Grain SB  
Limed Oak**  
Shown as an edging feature  
and as alternating boards  
within the step treads

When used as an edging product, Enhanced Grain SB has visible edge grain and a square-edge profile which provides a smart, contemporary aesthetic. Ideally suited for use on step treads and edging, it also enables easy incorporation of elegant under-lip lighting.

### Available colours in the range

**Antique Oak MDE126A**



**Coppered Oak MDE126C**



**Golden Oak MDE126G**



**Brushed Basalt MDE126B**



**Limed Oak MDE126L**



**Burnt Cedar MDE126R**



**Smoked Oak MDE126D**



Live.Life.Outside.



**The Millboard Company Ltd**

UK Head Office  
Castle Court  
Bodmin Road  
Coventry CV2 5DB

**Enhanced Grain SB  
Smoked Oak**  
Shown as alternating  
boards within the  
main deck

