

**External venetian blinds from Griesser.
Lamisol® III, Solomatic® II und Aluflex®,
Grinotex III und Metalunic V
Embedded guides for
thermal insulation systems**



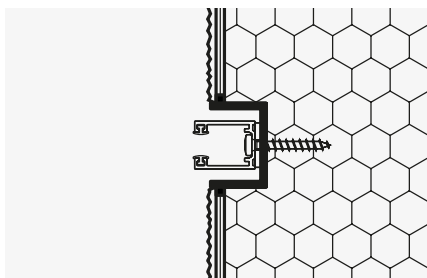
TECHNOLOGY IN DETAIL

- 1 Standard reveal element with aluminum insert
- 2 Prefabricated for Griesser Products Lamisol® III, Solomatic® II, Aluflex®, Grinotex® III, Metalunic® V
- 3 Guides, Fix F, Fix L, Type G, Type M and conventional Type E
- 4 Secure fastening of guide to aluminum insert
- 5 Defined water drainage
- 6 Standard skirt
- 7 Standard window sill

Example with Griesser Lamisol® III:



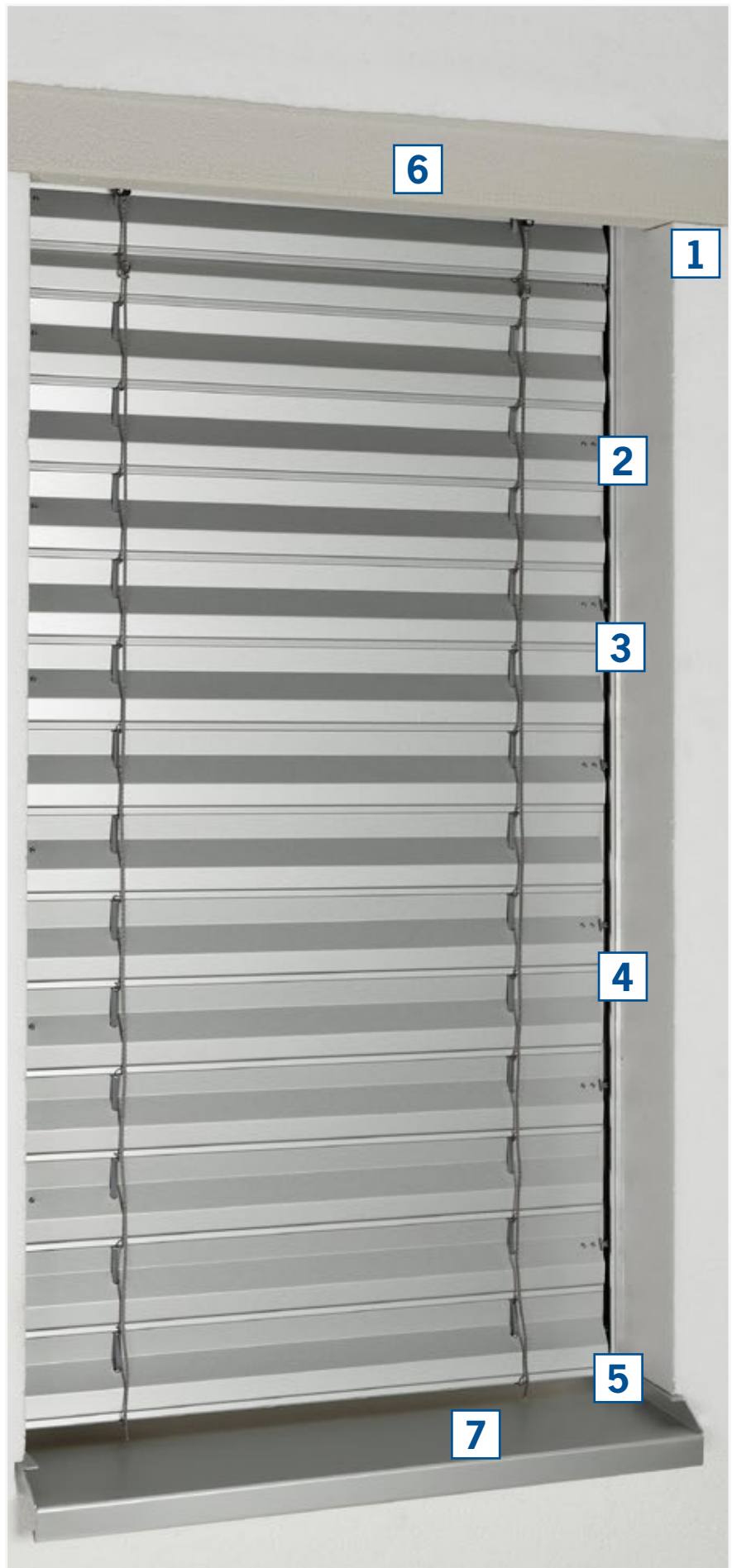
Available prefabricated for Griesser external venetian blinds Lamisol® III, Solomatic® II, Aluflex®, Grinotex® III, Metalunic® V by Dosteba.



Aluminum insert to securely fasten the guide. No fastening in insulation / on rondels.



No damage to building because of defined water drainage.



BASIC BUILDING PROCESS



Griesser

Griesser consults with architects and customers for embedded guide solutions.

Designer / Insulation installer

Plan the insulation elements by the designer or the insulation installer (with Dosteba assistance).

Plan the insulation elements by the designer or the insulation installer (with Dosteba assistance).

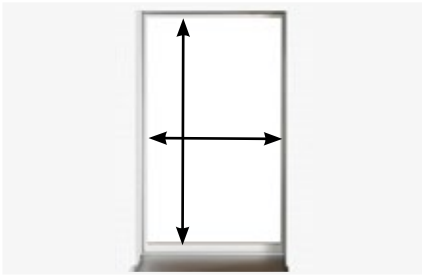
Order insulation elements through insulation installer (with Dosteba assistance).



Griesser performs measures for external venetian blinds.

Griesser mounts the external venetian blinds.

CONSTRUCTION PROCEDURE IN DETAIL

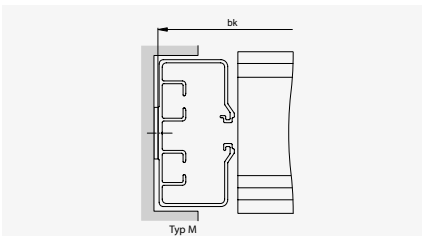
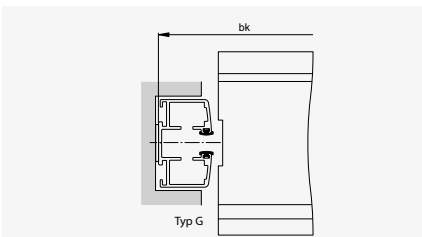
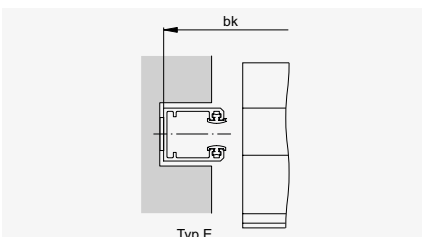
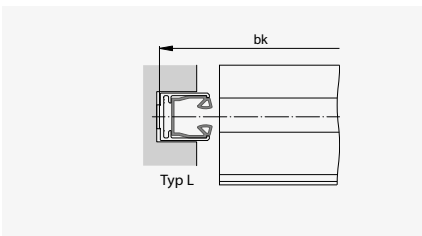
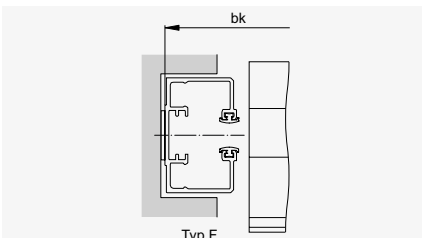
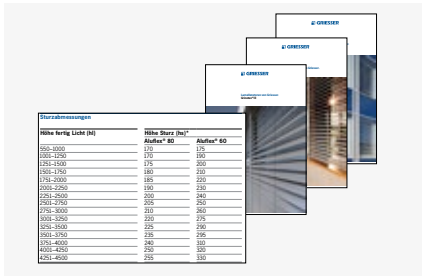


1.

- Indicate advantages of the solution
- Define opening (windows or doors)
- Record window height **hl**
- Record window width
- Select product
- Check limit dimensions against **hl** and **bk**

2.

- Determine product data
- Determine header height **hs** from **hl** (table)
- Determine niche depth **tn**
- Determine guide type
- Determine drive type
- Articulated crank: Establish left or right
- Motor: Provide introduction of the electric conduit



Product

Guide type

Lamisol® III 90 Fix	
Solomatic® II 80 Fix	Type F / Type L
Aluflex® 80 Fix	
Lamisol® III 70 Fix	
Solomatic® II 70 Fix	Type F / Type L
Aluflex® 60 Fix	
Lamisol® III 90	
Solomatic® II 80	Type E
Aluflex® 80	
Lamisol® III 70	
Solomatic® II 70	Type E
Aluflex® 60	
Grinotex III	Type G
Metalunic V	Type M

Version:

Standard: motorized

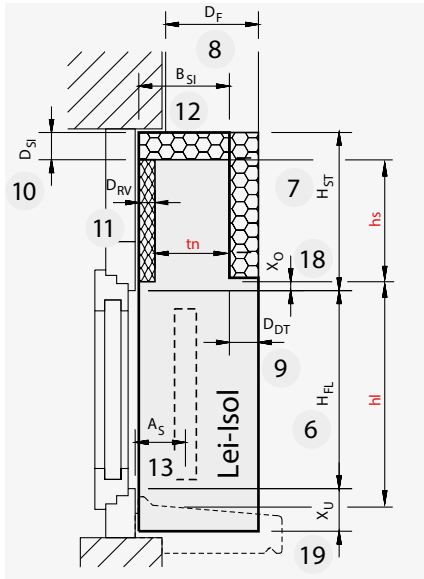


Option: with articulated crank drive



3.

Order Dosteba insulation element through insulation installer using Dosteba order form.



3.1

Dosteba order form

Order sizes

$$H_{ST} = h_s + D_{SI} + X_o$$

$$B_{SI} = t_n + D_{RV}$$

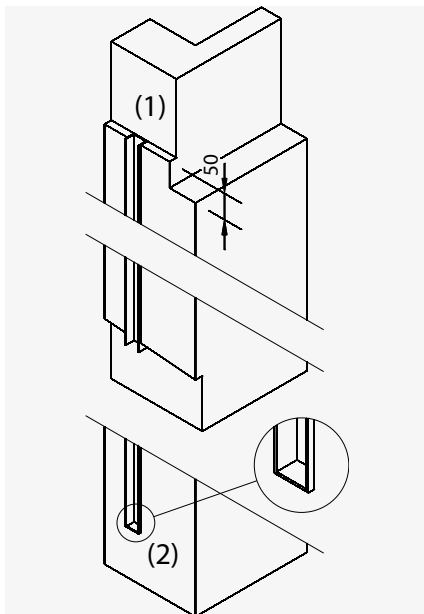
$$A_S = t_n/2 + D_{RV}$$

Guide "Griesser Typ F" / "Griesser Typ E" / "Griesser Typ L" / "Griesser Typ M" / "Griesser Typ G"

3.2

Order from Dosteba

additional specifications in accordance with internal Dosteba price list



Order Lei-Isol for Fix clips for guide type F, L, M and G with cutout in the reveal element (1).

Order general profile welded underneath (2).

4.

Install insulation elements by insulation installer.



Zusätzlicher Hinweis:

For articulated crank drive, provide lateral niches if possible (note drive side and gearbox position).

5.

Measurements for blinds: Window height hl, width of construction bk, height of package p.

Note:

Separated guides

For easy installation, two-part guides with continuous beading should be ordered only for Type F and Type G.

Light at the bottom

If the guides are not flush with the window ledge (standard), they can be ordered with a negative extension (guide extension V= e.g. -25). This reduces the amount of light at the bottom

6.

Installation of blinds by Griesser.

As information for the installation installer.

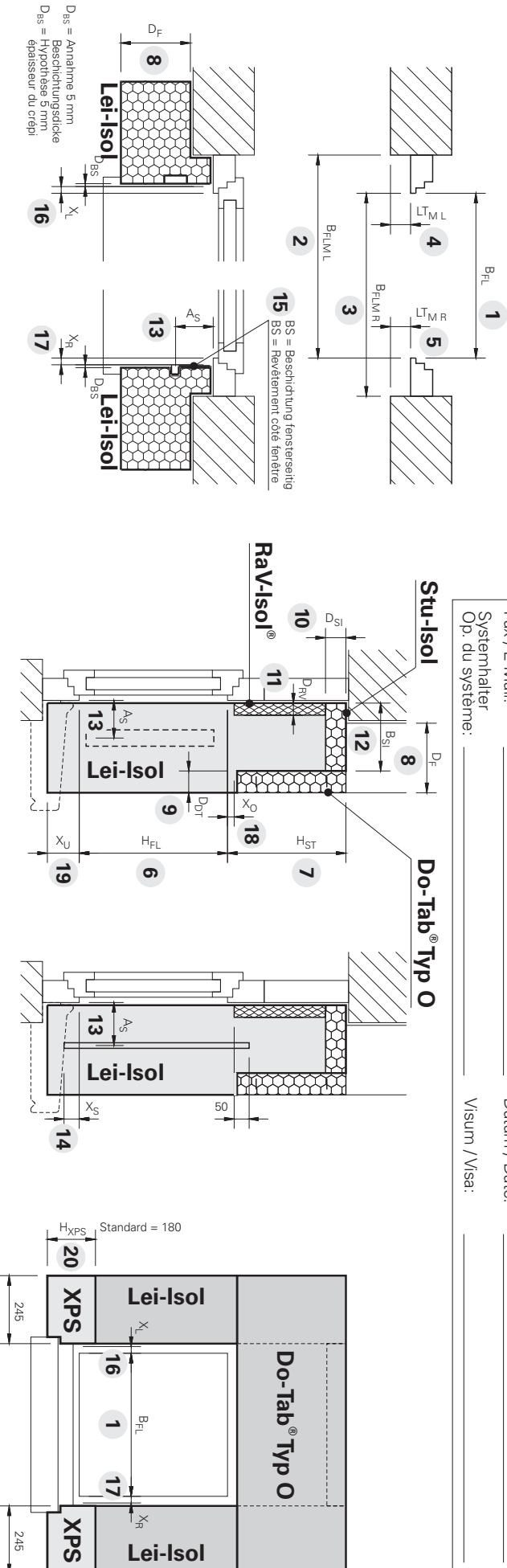
Bitte kopieren / copier s.v.p

Dosteba
Les éléments sont notre point fort
Elemente sind unsere Stärke
Système d'éléments Lei-Tab

Bestellformular / Bulletin de commande **7904**

SYSTEM EPS WEISS EPS GRAU SW RaV-Isol® StU-Isol PU

Verarbeiter: _____ Objekt / Objet: _____
 Entrepreneur: _____
 Sachbearbeiter: _____
 Responsable: _____
 Tel.: _____
 Fax / E-Mail: _____
 Systemhalter: _____
 Op. du système: _____
 Tel. avis.: _____
 Liefertermin: _____
 Date de livraison: _____
 Datum / Date: _____
 Visum / Visa: _____

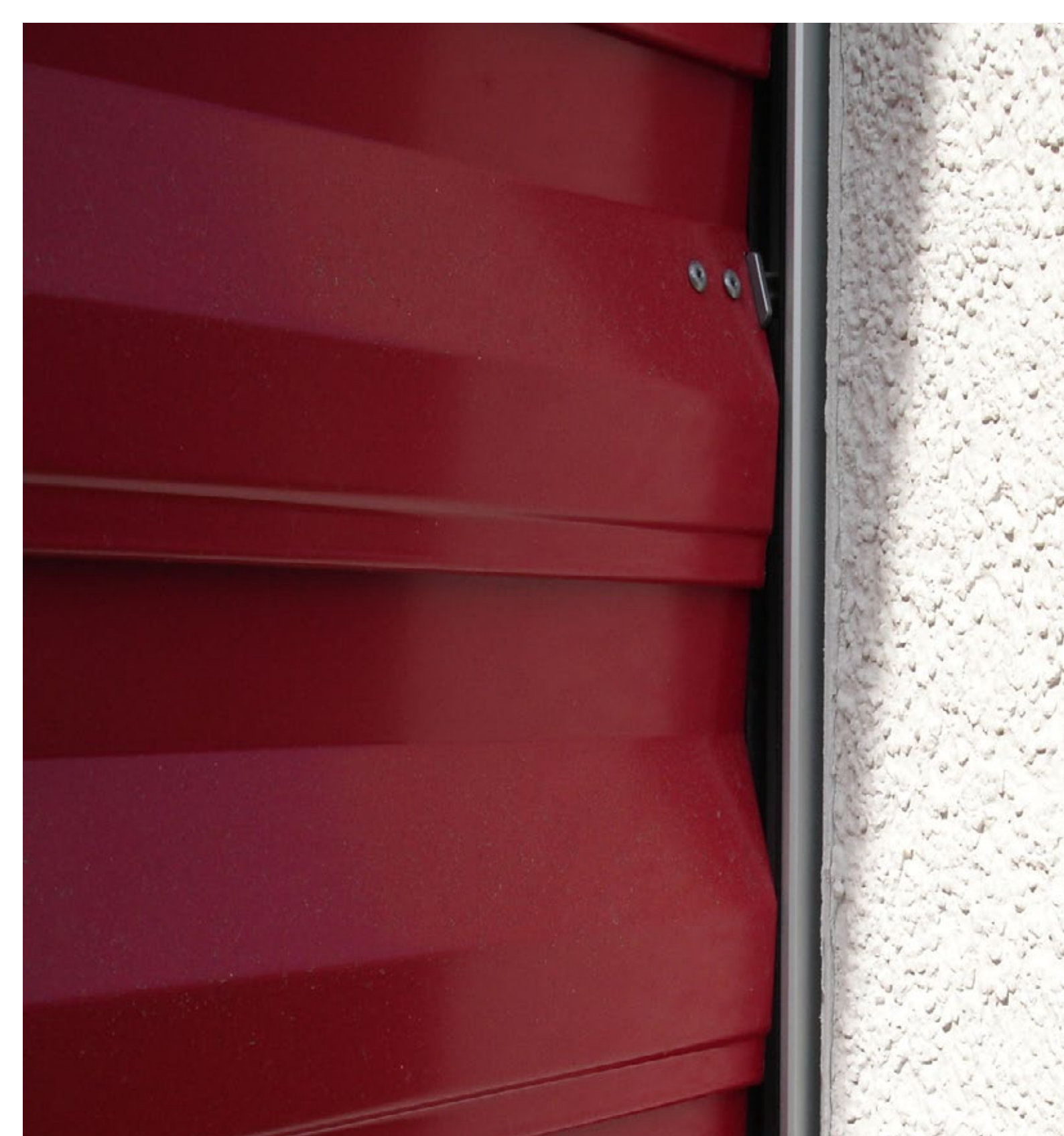


Pos. Bau-Messwerte / Grandeurs mesurées sur la bâtiment

Konstruktions-Werte / Valeurs de construction

Pos.	Horizontal					Vertikal					Masse					Bemerkungen Remarques Griesser					
	Anzahl Fenster Normbre de fenêtres	Rahmenlicht Vide du cadre	Horizontallement	Verticalement	Horizontallement	Verticalement	Dicke Epaisseur d'isolation facade	Dicke Epaisseur Do-Tab® Typ O	Dicke Epaisseur Stu-Isol	Dicke Epaisseur RaV-Isol®	Breite Largueur Stu-Isol	Schienen- abstand Distance jusqu'au rail	Bei versenkten Stören- führungschielen Par rails de guidage de stores	Rahmenlicht bis fertig verputzte Fassade Ouverture de cadre jusqu'au crépi fini facade	Sockelans- schluss XPS Raccordement de la plinte XPS						
	B _{FL}		B _{FLML}	B _{FLR}	L _{TL}	L _{TR}	D _F	D _{OT}	D _{SI}	D _{RV}	B _{SI}	A _S	X _S	BS	X _L	X _R	X _O	X _U	H _{XPS}	Typ E/F	
	1		2	3	4	5	6	7	8	9	10	11	12	13	14	15	16	17	18	19	20





Your partner:

Griesser solar shading - Quality since 1882.
www.griessergroup.com

