



Accessories

LED lighting | Tempura heating system

Every minute that the patio user can stay outside longer counts! Which is why weinor has developed intelligent accessories for awnings, patio roofs and Glasoasen®. **LED lighting** creates an attractive atmosphere with its warm glow while allowing the patio to be used for much longer. Based on modern technology, the innovative LEDs can save a great deal of energy. The weinor **Tempura** and **Tempura Quadra heating systems** can be mounted virtually anywhere, are easy to retrofit and generate pleasant warmth.

LED lighting







Energy-saving LED technology in a timelessly lovely design

weinor LED light bars add that special touch to any patio: their warm glow creates attractive lighting while allowing the patio to be used for much longer. Based on modern LED technology, the innovative light bars can save a great deal of energy. What is more, the light-emitting diodes have a long lifetime of some 30,000 hours, also helping to save resources.

weinor LED light bars can be operated and even dimmed using BiConnect or Somfy io-homecontrol® radio technology.

LED | LED Design round/square | 3Spot round/square | LED RGB Strip light bars

LED light bar versions	LED light bar	LED Design light bar round/square	3Spot light bar round/square	LED RGB Strip
				
Technology				
Max. width	650 cm	650 cm	650 cm	500 cm
Max. no. of spotlights	11	11	3	60 LED/m
Bar size (w x h)	75 x 89 mm	80 x 51 mm	80 x 51 mm	31 x 65 mm
Power consumption	2.6 watts LED lights	2.6 watts LED lights	2.6 watts LED lights	4.9 watts/m
Light output	187 lumen/spotlight	187 lumen/spotlight	187 lumen/spotlight	approx. 98 lumen/m
Light colour	white	white	white	48 colours, 3 white
IP code	IP 44	IP 44	IP 44	IP 33
Mounting alternatives	wall and roof mounting or straight on the product			
Design				
47 standard frame colours	●	●	●	●
Over 150 other RAL colours	○	○	○	○
9 trend colours	●	●	●	●
Other structural colours	○	○	○	○
Controls				
BiConnect radio control (infinitely dimmable)	○	○	○	○
Somfy io radio control (dimmable)	○	○	○	○ setting colours and dimming on the bar
Somfy RTS radio control (not dimmable)	○	○	○	○ setting colours and dimming on the bar
Hard wired switch (not dimmable)	●	●	●	○ setting colours and dimming on the bar
Accessories/attachment				
Fixing positions standard:	wall mounting	roof mounting or Terrazza roof support mounting	Terrazza roof support mounting	wall mounting
Fixing positions optional:	additional roof mounting set with angle bracket	set of adjustable brackets for wall mounting		
Cabling accessories standard:		connection lead 3.2 m to connect 2 light bars	connection lead 2.5 m to connect 2 light bars or 2 x 2.5 m for 3 light bars	10 m connecting lead for control
Cabling accessories optional:		2.5 m cable track with adhesive tape	2.5 m cable track with adhesive tape	
Motion sensors 	○ The LED light bars can be optionally combined with a motion sensor, for example from Busch-Jäger or Gira (not possible with radio control)			

● standard ○ optional — unavailable

Energy efficiency



LED light bars – 30,000 hours of lighting with minimal energy consumption

With their timelessly lovely design, the weinor light bars match more than just weinor products:

- Made in Germany: developed by weinor, guaranteeing quality and spare parts availability
- Individual LED lights can easily be replaced
- Operating life of 30,000 hours
- Energy-saving: 85% lower energy consumption than halogen lighting
- Dimmable when used with BiConnect or Somfy io-homecontrol® radio control



New: LED RGB Strip

With 60 coloured LEDs per meter and a finely tuned diffuser, the LED RGB Strip bar produces an evenly distributed and pleasant light.

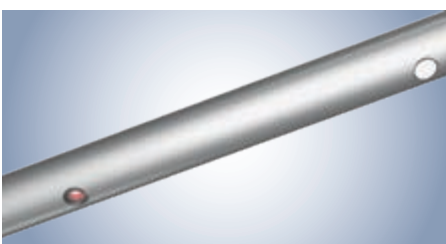
- Selection of 48 colours and 3 whites
- Approx. 4.9 watt output per meter, depending on the set color
- Max. length 5 metres
- Can be installed anywhere
- Timeless, elegant design

LED and LED Design round/square light bars

Size and number of LED lamps

Width of light bar in cm	Number of separate LED spotlights	Width of light bar in cm	Number of separate LED spotlights
150 – 164	2	385 – 439	7
165 – 219	3	440 – 494	8
220 – 274	4	495 – 549	9
275 – 329	5	550 – 604	10
330 – 384	6	605 – 650	11

The LED spotlights in the light bars are generally positioned symmetrically. In the case of multi-section units, the spacing at the section joints may be irregular.



Left: defective spotlight

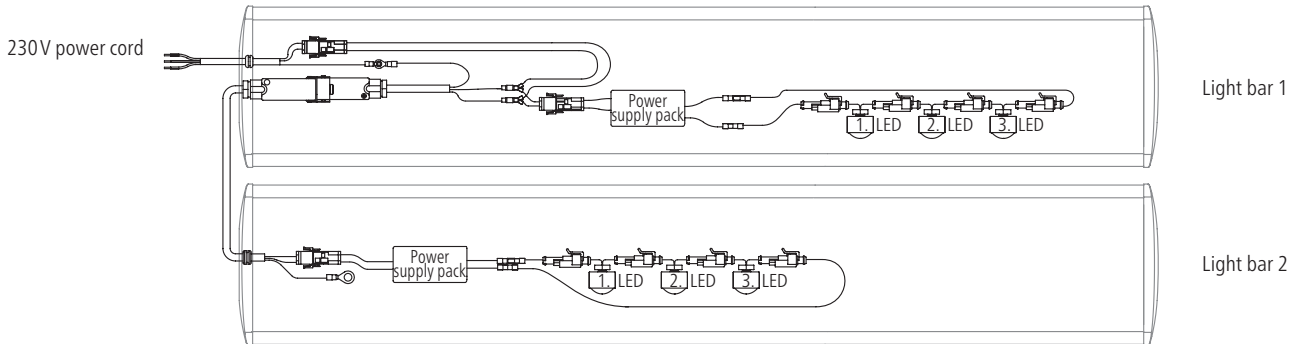
LED spotlight failure display

Patented failure display for LED spotlight: a defective spotlight is displayed as a red light. The other spotlights light up as before.

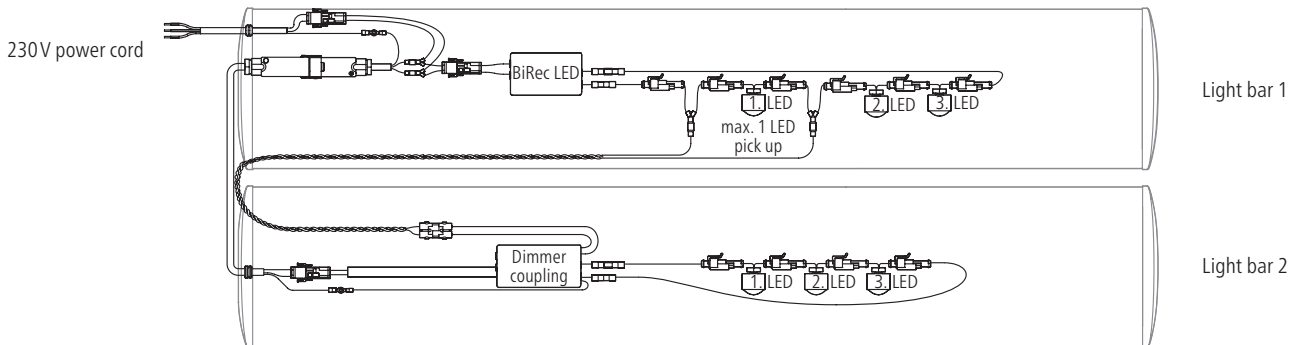
LED Design round/square light bars

Circuit diagram overview for LED Design round/square

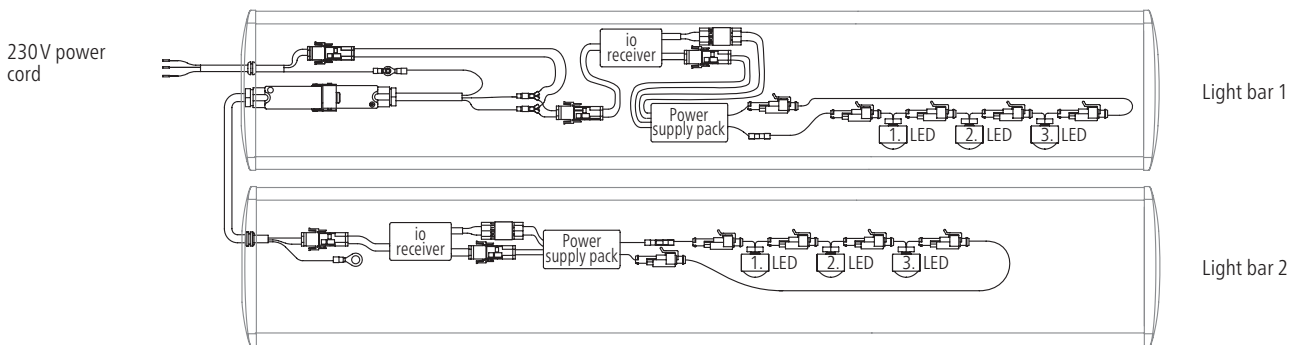
1. Conventional circuit diagram



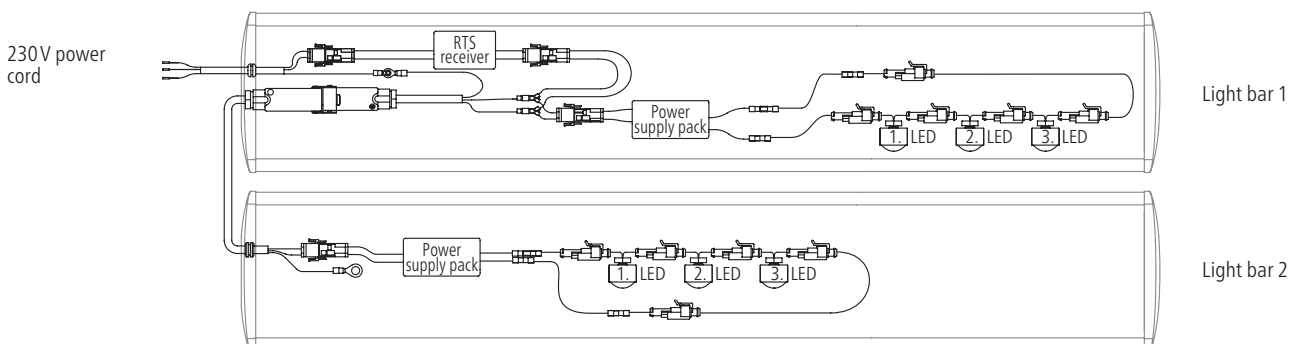
2. Circuit diagram for BiConnect control



3. Circuit diagram for Somfy io-homecontrol® control



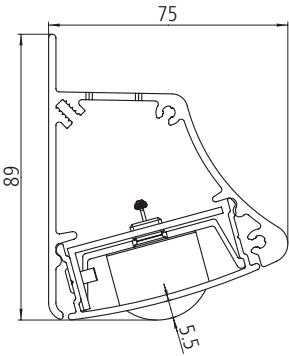
4. Circuit diagram for Somfy RTS control



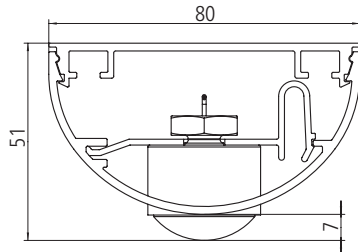
Schematic diagram of light bars for a coupling. Light bars can be designed both individually and with other couplings.

Cross-sections

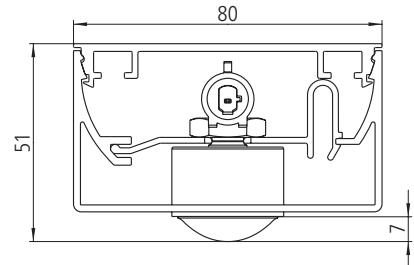
LED light bar



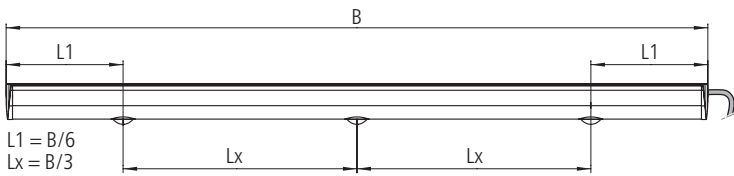
LED Design round/3Spot round light bar



LED Design square/3Spot square light bar

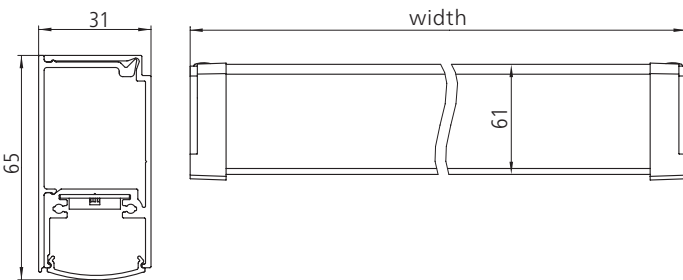


LED Design 3Spot round/square: position of the LED spotlights and cable output

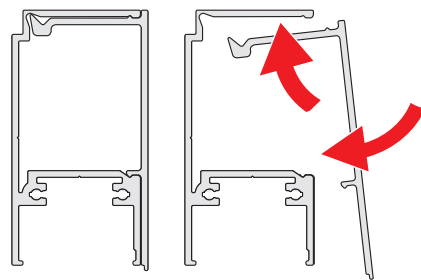


- No LED Design 3Spots round/square shorter than 1640 mm possible.
- An LED Design 3Spot round/square light bar always comprises 3 LED spotlights. No more than 3 light bars can be combined to make one installation.
- Several installations will need to be used if more light bars are required.
- Only one remote receiver is required for the light bar installation.

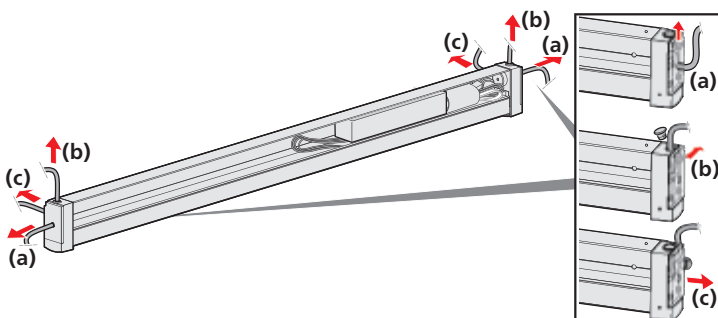
LED RGB Strip light bar and cable output



Clip-in profile cover



The fixing and internal control are covered by the elegant profile cover.

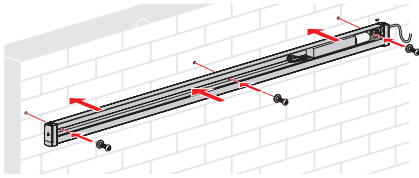


- Cable output:** either on the left or right
- (a) on the side
 - (b) at the top
 - (c) at the rear

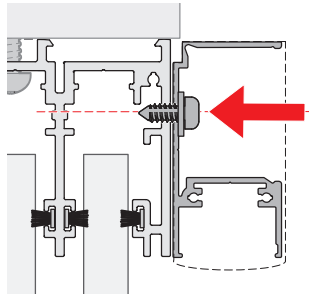
Installation options

LED RGB Strip

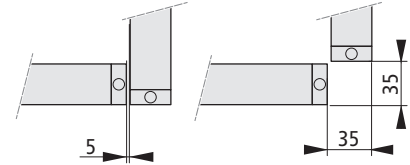
Wall installation



Installation on w17 easy top rail



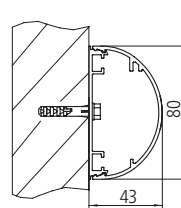
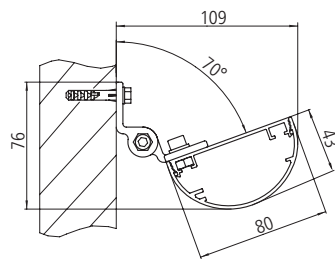
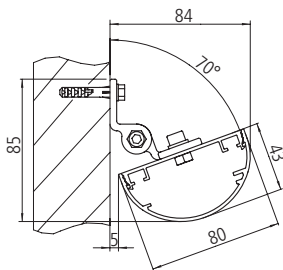
Angle installation (90°)



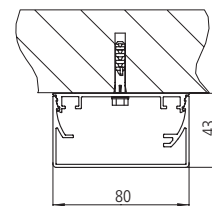
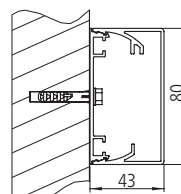
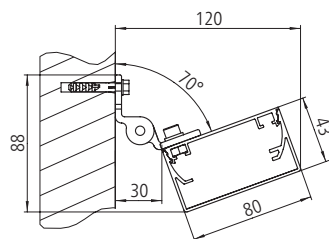
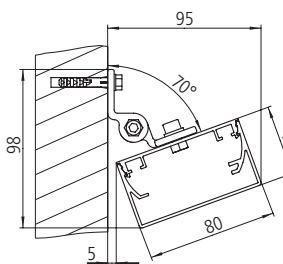
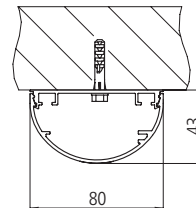
(Top view)

LED Design/3Spot/ round/square

Light bar installation on the wall using adjustable holder set

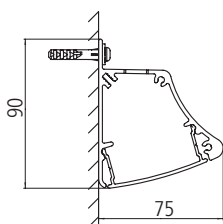


Roof mounting

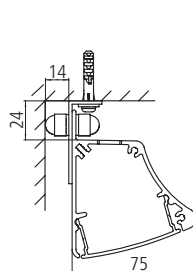


LED light bar

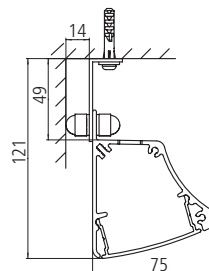
Installation on the wall under the awning



Roof mounting



Minimum spacing



Maximum spacing

Roof mounting or roof support mounting possible, e.g. on Terrazza

Note: Install the LED bar in a location protected from the weather and always with the illuminated area facing downwards.

Tempura heating system



Tempura patio heating – a great performance from a small heater

The weinor Tempura heating system provides pleasant warmth on the patio quickly. It can be mounted anywhere, is easy to retrofit and generates pleasant warmth in the evenings and during the cooler months. The infrared rays can be felt as soon as the system is switched on. There is no lengthy pre-warming process as required with other heaters (e.g. medium wave or dark radiators). When operated using the radio control BiConnect from weinor or Somfy io-homecontrol®, the Tempura heating system can be fine tuned to any level. It can be angled as required to target a specific area and provide pleasing temperatures. The Tempura is available in 2 versions: **Tempura** with its classic round look and **Tempura Quadra** in a modern square design.

Tempura Quadra has been awarded with:



reddot award 2018
winner



Premium quality
made in Germany



Tempura and Tempura Quadra are developed and produced in Germany. The weinor powder coating allows for maximum quality and a vast variety of colours.

Tempura heating Benefits



Tempura heating system – 2 versions for every style of home

You can choose from 2 versions to suit your personal taste: the classic **Tempura** with a rather round look and **Tempura Quadra** in a square design. The compact heating systems blend subtly into any style of architecture and home.



Energy-saving infrared heat as soon as you switch it on

The heating system's warming infrared rays can be felt as soon as the system is switched on. There is no lengthy pre-warming process as required with other heaters (e.g. medium wave heaters). New infrared tubes filter up to 99% of the visible rays in the Tempura Quadra. When operated using the BiConnect or Somfy io-homecontrol® radio control, the Tempura heating system can be fine tuned to any level. Note: Tension-related clicking noises may be heard when the system is switched on or off.



Swivelling housing – easy to install

The heating system's housing can be swivelled up and down to any angle. This allows for perfectly targeted heating. The Tempura and Tempura Quadra can be fitted to any wall using the universal bracket. The Tempura Quadra can also be attached straight to the weinor Opal Design II awning and the round Tempura can be attached to the weinor Semina Life awning using a special bracket.



Tempura Quadra

Housing the radio elements

While the remote receivers can be housed in the optional design bar with the Tempura, they can be integrated into the base with the Tempura Quadra.



Tempura with design bar



Protected against overheating and splash-proof

The Tempura is constructed for outdoor use. No extra splash protection is required, e.g. a pane of glass. TÜV tested, protection rating I, protection type IP 24.



Tempura heating Technology

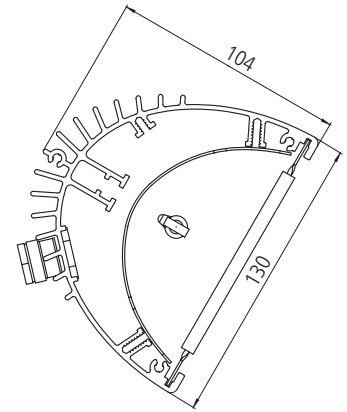
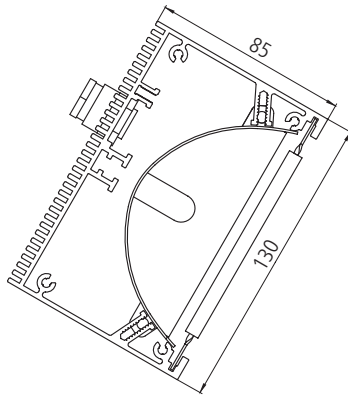
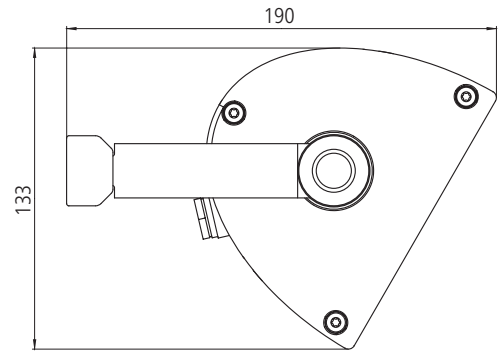
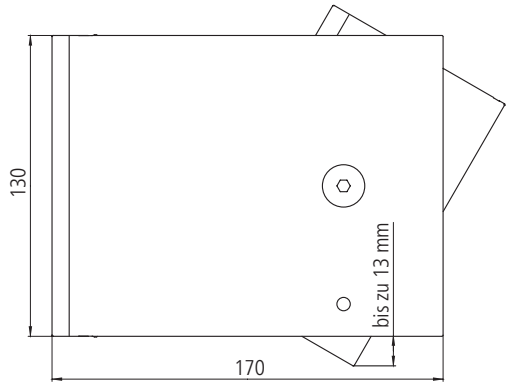
Overview of the Tempura Quadra and Tempura patio heating systems

Heating system	Tempura Quadra	Tempura
Technology		
Dimensions (width x height x depth)	40.5 cm x 13 cm x 17 cm; 40.5 cm x 13 cm x 9 (for Opal Design II)	46 cm x 13 cm x 10,4 cm
Output/power consumption	230 volts, 50 hertz, 1,500 watts	230 volts, 50 hertz, 1,500 watts
Weight	4.4 kg (Universal); 3 kg (for Opal Design II)	2.6 kg
Tilt radius		
Universal wall mounting	40°	40°
Opal Design II fixing position	15°	40°
Semina Life fixing position	—	15°
Mounting alternatives		
Universal wall mounting	●	●
Bracket for attachment to Opal Design II	●	●
Bracket for attachment to Semina Life	—	●
260 attachment for installation on the Terrazza Pure guttering or the wall and ceiling	○	—
Design		
47 standard frame colours	●	●
Over 150 other RAL colours	○	○
9 trend colours	●	●
Other structural colours	○	○
Controls		
Radio control (for more information see Control and drive technology folder)	○ BiConnect BiRec HD (dimmbable) ○ Heating Receiver Variation io 1.5 kW STAS3/STAK3 (dimmbable)	○ BiConnect BiRec HD (dimmbable) ○ Heating Receiver Variation io 1.5 kW STAS3/STAK3 (dimmbable)
Hard wired to existing power supply	●	●
Cabling	0.4 m silicone lead, Hirschmann coupling and 1.5 m lead with Schuko plug for start-up (not suitable for continuous use)	
Quality		
	Made in Germany TÜV-tested safety (GS certified); IP code 24; Protection class I	

● standard ○ optional — unavailable

Sectional drawing and mounting alternatives for Tempura Quadra/Tempura

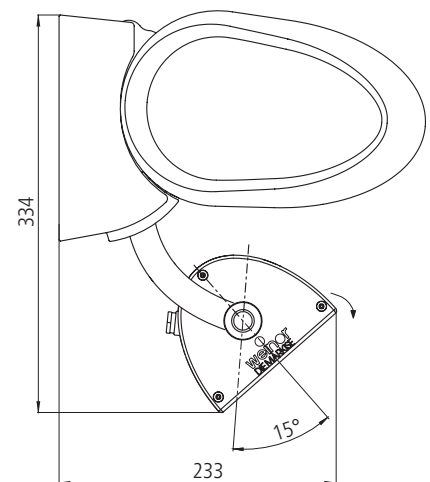
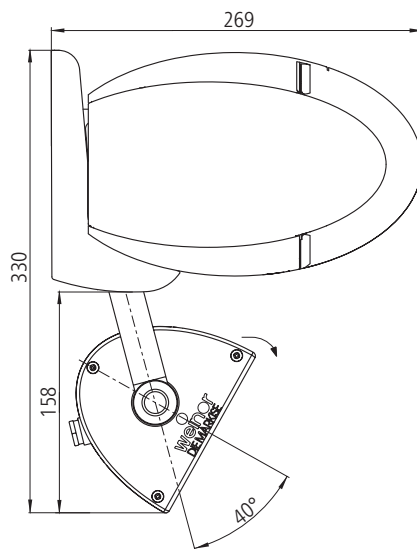
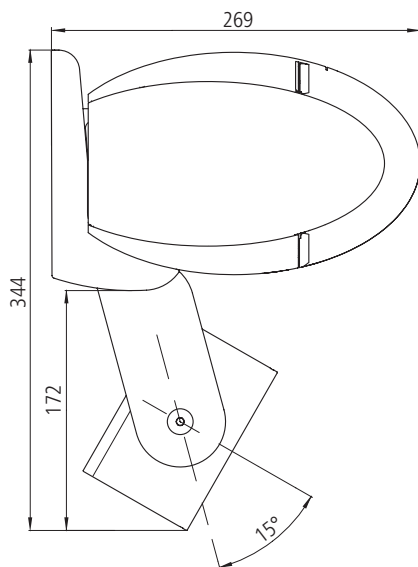
Sectional drawing



Tempura Quadra

Tempura

Attachment using special bracket



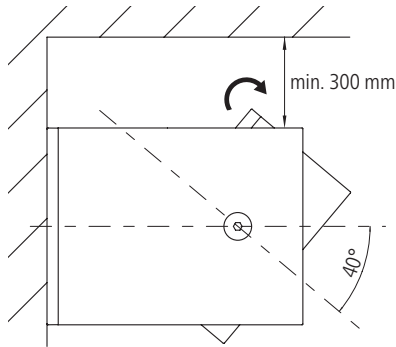
When attached to an Opal Design II, the Tempura Quadra can be swivelled 15°.

When attached to an Opal Design II, the Tempura can be swivelled 40°.

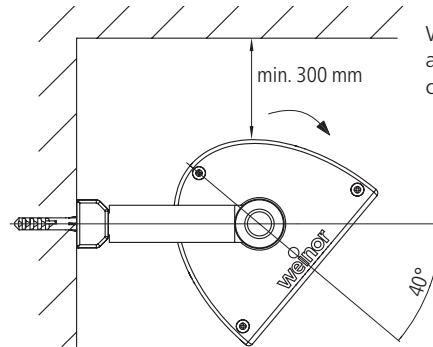
When attached to the Semina Life, the Tempura can be swivelled 15°.

Sectional drawing and mounting alternatives for Tempura Quadra/Tempura

Tempura Quadra/Tempura wall mounting

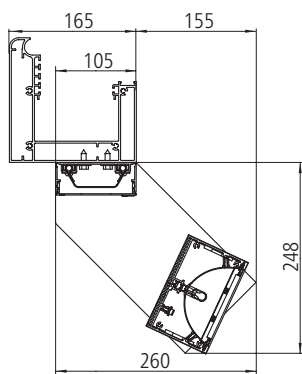


When mounted on a wall, the Tempura Quadra can be swivelled 40°.

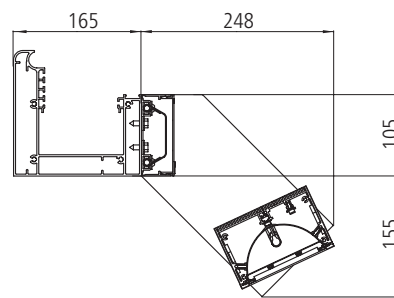


When mounted on a wall, the Tempura can be swivelled 40°.

Tempura Quadra installation on the Terrazza Pure guttering or the wall and ceiling using the 260 attachment

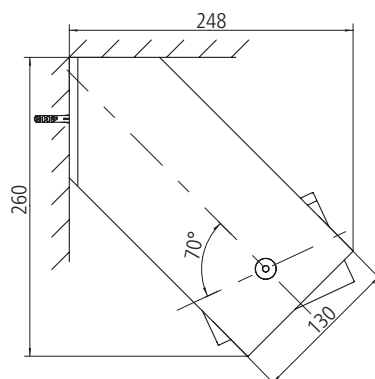


Installation without glazing element possible with Sottezza II

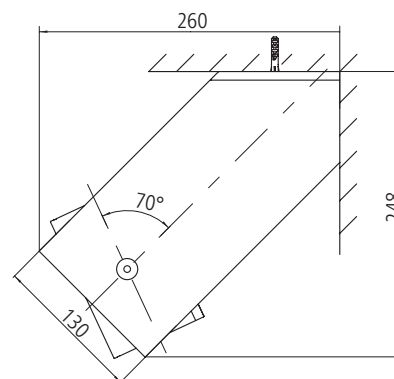


Installation with glazing element possible without Sottezza II

Tempura Quadra wall and roof mounting using 260 attachment



Wall mounting



Roof mounting

