



Half open and open awning

Topas

Topas with roof | without roof

The **Topas** is a classic entry-level awning for anyone wanting to save money without sacrificing quality. Its uncomplicated technology makes it stable and wind-resistant. When open, the awning stands out for its extreme flexibility: with or without a protective roof, it can be installed in various ways to fit into all kinds of different structural situations and applications.



Wall bracket:
Easy installation



Versions:



Topas without roof



Topas with roof

Mounting options:

Installation on walls, ceilings and rafters is possible



Wall mounting



Ceiling mounting



Rafter mounting

Topas Highlights

01

Joined units:

With roller supports

or jockey cover



weinor LongLife arm:

Very durable and
low-noise

Topas Benefits



Open or with a roof – classic design with the latest technology

With its simplified technology the weinor Topas is stable yet retains a wide variety of functions.

- Stable front profile
- with and without roof
- Large widths
- Wind-resistant
- Wide selection of fabrics



LED Design light bar – 30,000 hours of lighting with minimal energy consumption (optional)

Select LED components for top weinor quality:

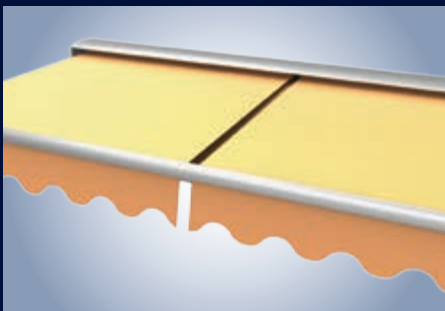
- Atmospheric light thanks to special glass lenses
- Highly energy-efficient
- Operating life of 30,000 hours
- Radio-controlled dimmer using BiConnect
- Fitted to carrier bar using angle bracket
- Easy to service: simply replace individual LED lights without uninstalling the awning



LongLife Arm – durable, quiet operation

The LongLife arm features an exceptionally robust high-tech belt.

- Tested to more than 100,000 cycles
- Extremely quiet operation
- No maintenance required
- Drop forged aluminium in joint – light but highly robust



Multi-section units – to shade especially large areas

The Topas also comes as a combined multi-section unit for very large terraces.

- As a 2-part unit up to 1,200 cm
- Jockey cover or roller support with continuous fabric

Topas Technology

Topas versions	Topas with roof	Topas without roof
Technology		
Max. width, 1-section/2-section with jockey cover	700 cm/1,200 cm	700 cm/1,200 cm
Max. projection	400 cm	400 cm
Cassette size (w x h)	220 mm x 210 mm	210 mm x 180 mm
Coupled systems	<input type="radio"/>	<input type="radio"/>
Motor drive	<input checked="" type="radio"/> as standard	<input checked="" type="radio"/> as standard
Angle of pitch on awning	5° to 40°	5° to 40°
Installation alternatives	can be installed on walls, ceilings and rafters	
LED lighting: (Design light bar)	<input type="radio"/>	<input type="radio"/>
LongLife arm	<input checked="" type="radio"/> as standard	<input checked="" type="radio"/> as standard
Accessories		
Heating system Tempura	<input type="radio"/>	<input type="radio"/>
LED Design light bar	<input type="radio"/>	<input type="radio"/>
BiSens Agido-3V product protection sensor	<input type="radio"/>	<input type="radio"/>
Controls		
Radio control	<input type="radio"/>	<input type="radio"/>
No remote	<input checked="" type="radio"/> fully wired and ready to plug in	<input checked="" type="radio"/> fully wired and ready to plug in
Weather sensors		
Sun/wind sensor BiConnect BiSens SW-230 V	<input type="radio"/>	<input type="radio"/>
Sun/wind sensor solar powered BiConnect BiSens SW-Solar	<input type="radio"/>	<input type="radio"/>
Sun/wind/rain sensor BiConnect-BiSens-SWR-230V	<input type="radio"/>	<input type="radio"/>
Quality		
Tested up to	wind resistance class 2* according to DIN 13561 (wind strength 5 on the Beaufort scale)	

* Topas achieves wind resistance class 1 for the following dimensions:

- 501 – 650 cm width x 400 cm projection and
- 1,001 – 1,200 cm width x 400 cm projection

standard optional unavailable

Topas Controls

weinor BiConnect radio controller

Product	Electronics	BiConnect control	Remote receiver	Transmitter
Topas	Topas drive	<ul style="list-style-type: none"> • BiRec receiver integrated into cassette 	Elero SunTop-868 remote-controlled motor	<ul style="list-style-type: none"> • BiEasy 1M/5M/15M/15M Go! hand transmitter • App • 1MW-3V wall transmitter
Topas	Topas drive	<ul style="list-style-type: none"> • BiRec receiver integrated into cassette 	BiRec MA-K	<ul style="list-style-type: none"> • BiEasy 1M hand transmitter • 1MW-3V wall transmitter
Topas LED	Topas drive and LED Design light bar	<ul style="list-style-type: none"> • BiRec receiver for main driv integrated into awning • Additional BiConnect Empfängerreceiver for the LED light bar (with integrated power supply pack) integrated into light bar • LED dimmbar 	Elero SunTop-868 remote-controlled motor and BiRec LED	<ul style="list-style-type: none"> • BiEasy 5M/15M/15M Go! hand transmitter • App
Accessories (optional)	Tempura/Tempura Quadra heating system	<ul style="list-style-type: none"> • Dimmable, additional receiver required • Installation of the receiver in the design bar provided for this purpose or the Tempura Quadra box 	BiRec HD	<ul style="list-style-type: none"> • BiEasy 5M/15M/15M Go! hand transmitter • App

Requires: awning with BiConnect remote control and sensors require a BiEasy 1M, 5M, 15M or 15M Go!

Somfy RTS radio technology

Product	Electronics	Somfy RTS control	Remote receiver	Transmitter
Topas	Topas drive	<ul style="list-style-type: none"> • Somfy RTS remote-controlled motor integrated into awning 	Somfy RTS remote-controlled motor	<ul style="list-style-type: none"> • Telis 1 RTS Pure/Telis 1 Soliris RTS Pure/Telis 4 RTS Pure/Telis 4 Soliris RTS Pure hand transmitter • Smoove 1 wall transmitter
Topas LED	Topas drive and LED Design light bar	<ul style="list-style-type: none"> • Somfy RTS remote-controlled motor integrated into awning • Additional Somfy receiver for the LED light bar (with downstream power supply pack) integrated into light bar • LED not dimmable 	Somfy RTS remote-controlled motor and Lighting Slim Receiver RTS	<ul style="list-style-type: none"> • Telis 4 RTS Pure/Telis 4 Soliris RTS Pure hand transmitter
Accessories (optional)	Tempura/Tempura Quadra heating system	<ul style="list-style-type: none"> • Not dimmable, additional receiver required • Installation of the receiver in the design bar provided for this purpose or the Tempura Quadra box 	Heating Slim Receiver RTS Plug	<ul style="list-style-type: none"> • Telis 4 RTS Pure/Telis 4 Soliris RTS Pure hand transmitter

Somfy io-homecontrol® radio technology

Product	Electronics	Somfy io-homecontrol control	Remote receiver	Transmitter
Topas	Topas drive	<ul style="list-style-type: none"> • Somfy io remote-controlled motor integrated into awning 	Somfy io remote-controlled motor	<ul style="list-style-type: none"> • Situo 1 io Pure/Situo 5 io Pure/Easy Sun io Pure Shine hand transmitter • Smoove 1 io Pure Shine wall transmitter
Topas LED	Topas drive and LED Design light bar	<ul style="list-style-type: none"> • Somfy io remote-controlled motor integrated into awning • Additional Somfy receiver for the LED light bar (with downstream power supply pack) integrated into light bar • LED not dimmable 	Somfy io remote-controlled motor and Lighting Receiver io	<ul style="list-style-type: none"> • Situo 5 io Pure/Easy Sun io Pure Shine hand transmitter
Accessories (optional)	Tempura/Tempura Quadra heating system	<ul style="list-style-type: none"> • Not possible with Somfy io control 		

Hard wired with Somfy control

Product	Electronics	Hard wired Somfy control	Control
Topas	Topas drive	<ul style="list-style-type: none"> • Somfy control for awning drive 	e.g. Soliris Smoove Uno
Topas LED	Topas drive and LED Design light bar	<ul style="list-style-type: none"> • Somfy control for awning drive • Switch on site for the LED light bar • LED power supply pack integrated into the light bar • LED not dimmable 	e.g. Soliris Smoove Uno and suitable light switch (on site)
Accessories (optional)	Tempura/Tempura Quadra heating system	<ul style="list-style-type: none"> • Not dimmable 	Suitable switch (on site)

Hard wired (existing switch/power supply on site)

Product	Electronics	Hard wired control	Control
Topas	Topas drive	<ul style="list-style-type: none"> • Awning switch for the awning drive 	e.g. double rocker switch switch (on site)
Topas LED	Topas drive and LED Design light bar	<ul style="list-style-type: none"> • Awning switch for the awning drive • Switch on site for the LED light bar • LED power supply pack integrated into the light bar • LED not dimmable 	e.g. double rocker switch and suitable light switch (on site)
Accessories (optional)	Tempura/Tempura Quadra heating system	<ul style="list-style-type: none"> • Not dimmable 	Suitable switch (on site)

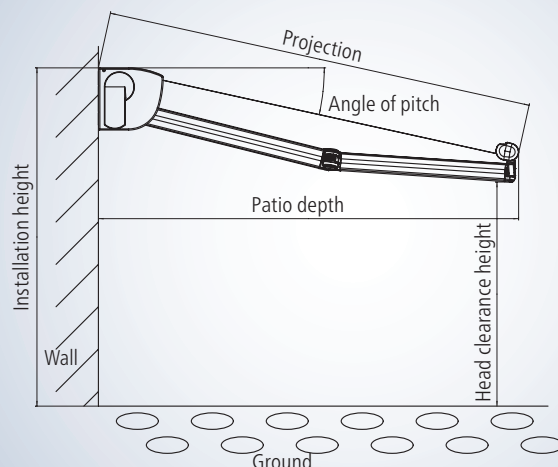


Note:

Please see the "Accessories" technical brochure for further details regarding the drive and control.

Some options are subject to a surcharge. For prices, please refer to the weinor awnings price list.

Topas Planning



Site measurements – determining the projection and head clearance height

- Find the projection by looking in the “Projection” table for the terrace depth.
- Using the projection from the table and the required angle of pitch, consult the “head clearance height” table for the head clearance height. This head clearance height refers to an installation height of 300 cm.
- Add/subtract the difference between 300 cm and the actual installation height to/from the head clearance height in the table.

Determining the projection

Angle of pitch	Terrace depth in cm					
	150	200	250	300	350	400
5°	150	200	250	300	350	400
15°	160	210	260	310	360	400
25°	170	220	280	330	390	400

Projection in cm (rounded figures)

This table can be used to find the awning projection for any given horizontal patio depth.

Determining the head clearance height

Angle of pitch	Projection in cm					
	150	200	250	300	350	400
5°	270	270	270	260	260	250
15°	250	240	220	210	200	180
25°	220	200	180	160	140	120

Head clearance height in cm (rounded figures)

This table is used to find the head clearance heights for various projections when the angle of pitch is 5°, 15° or 25°.

This table is based on the example of an installation height of 300 cm (upper edge of awning).

Wall bracket

Sizes and bracket recommendations



Width in cm	Number of arms	Projection in cm (irregular figures possible)					
		150	200	250	300	350	400
- 250	2	●	●	●	●	●	●
251 - 300	2	●	●	●	●	●	●
301 - 350	2	●	●	●	●	●	●
351 - 400	2	●	●	●	●	●	●
401 - 450	2	●	●	●	●	▲	▲
451 - 500	2	●	●	●	●	▲	▲
501 - 550	2	●	●	●	●	▲	▲
551 - 600	2	●	●	●	▲	▲	▲
601 - 650	2	●	●	●	▲	▲	▲
651 - 700	3	●	●	●	▲	▲	▲

Wall mounting on C20/25 concrete

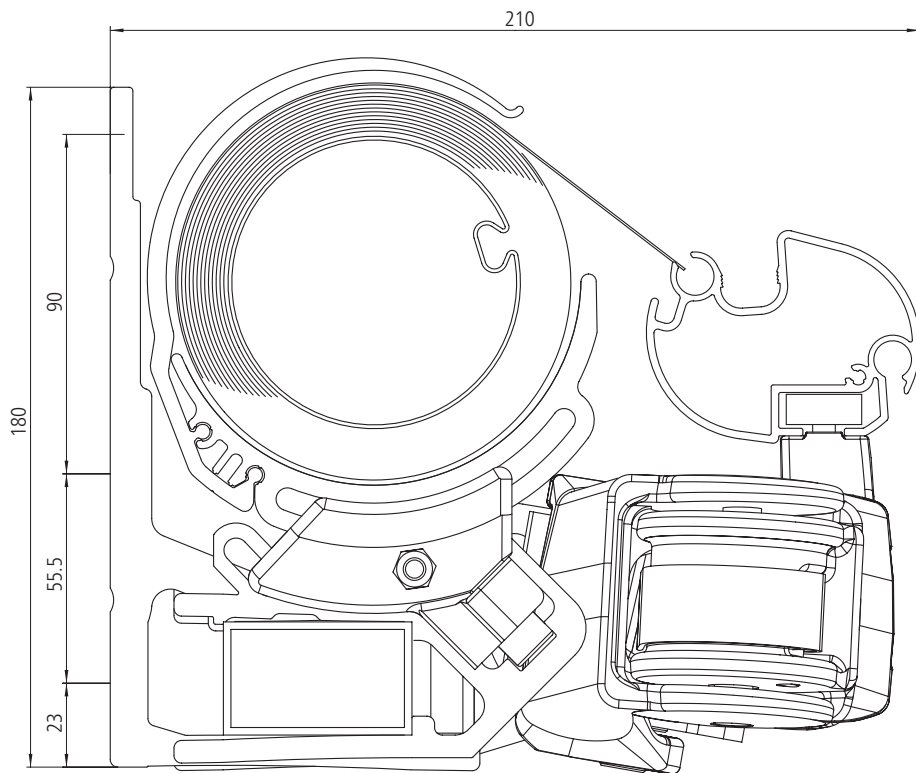
with up to 200-mm facing, wind resistance class 2 and a permissible centic tensile load of 5.71 kN for anchor bolts

- 2 x Topas standard wall brackets 85 mm
- 3 Topas standard wall brackets 85 mm
- 4 Topas standard wall brackets 85 mm
- ▲ 5 x Topas standard wall brackets 85 mm
- ▲ 7 x Topas standard wall brackets 85 mm

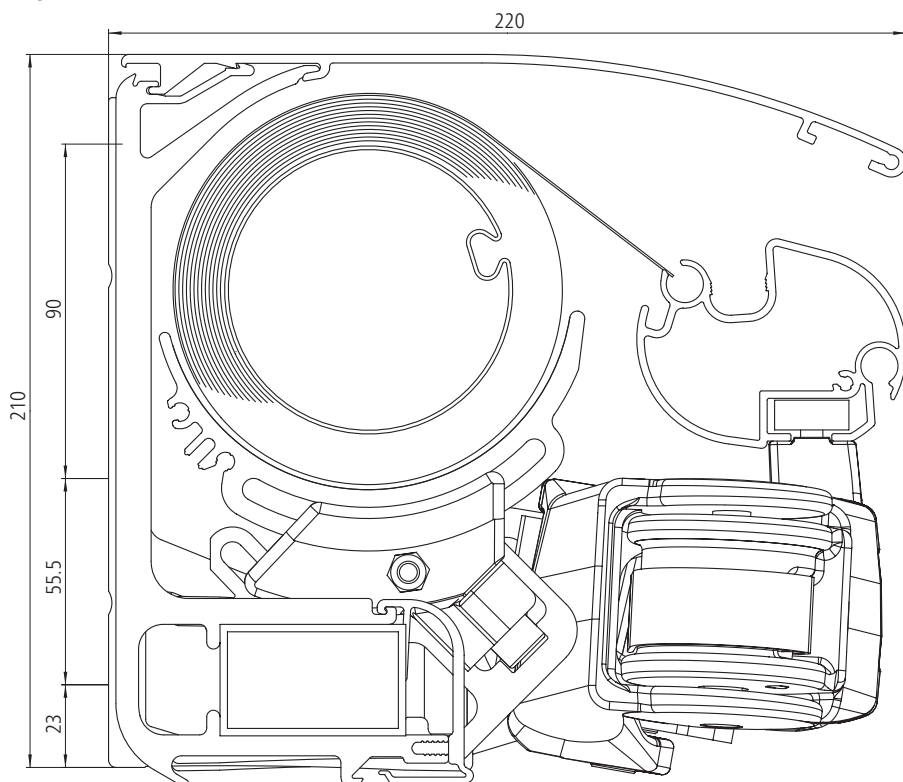


Cross-sections

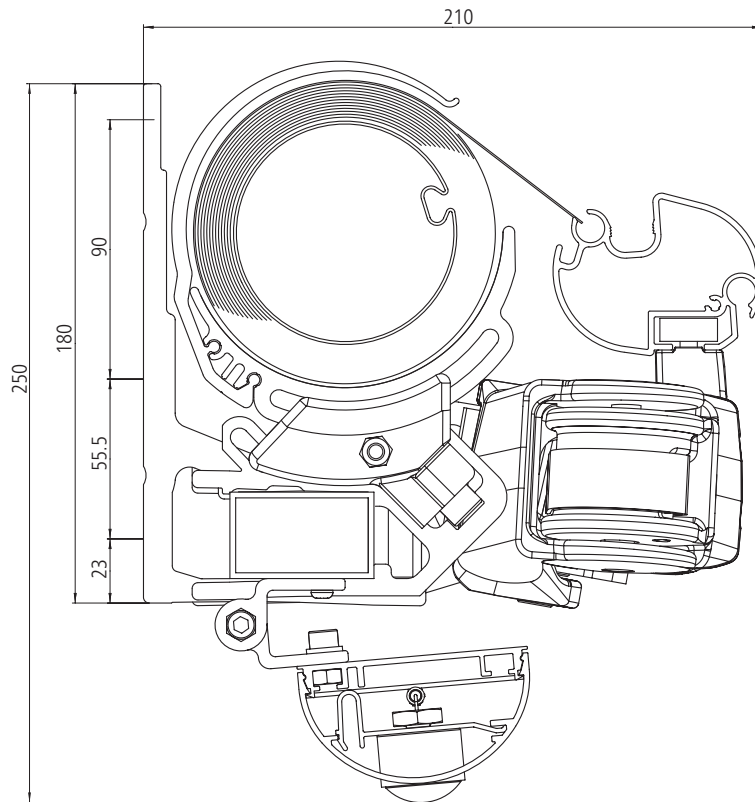
Topas without roof



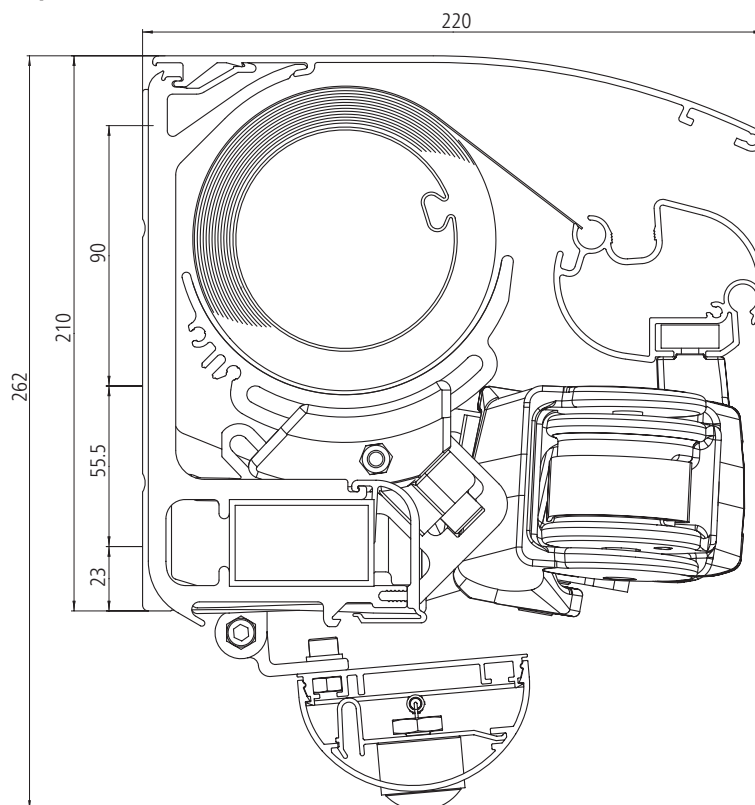
Topas with roof



Topas without roof with LED



Topas with roof with LED

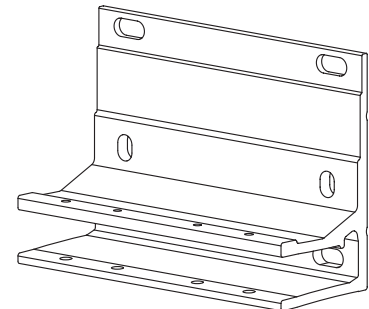
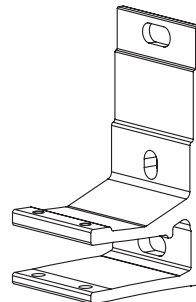
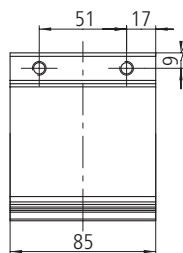
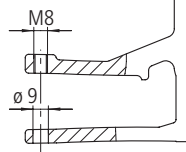
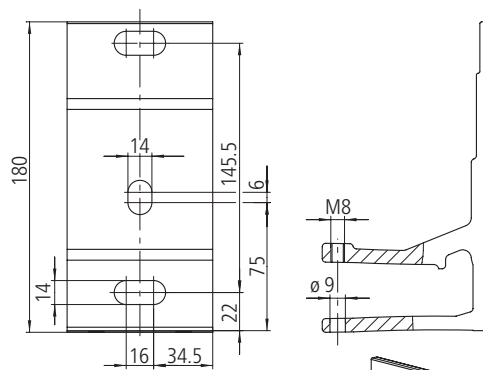


Topas Installation

Installation on walls, ceilings and rafters is possible

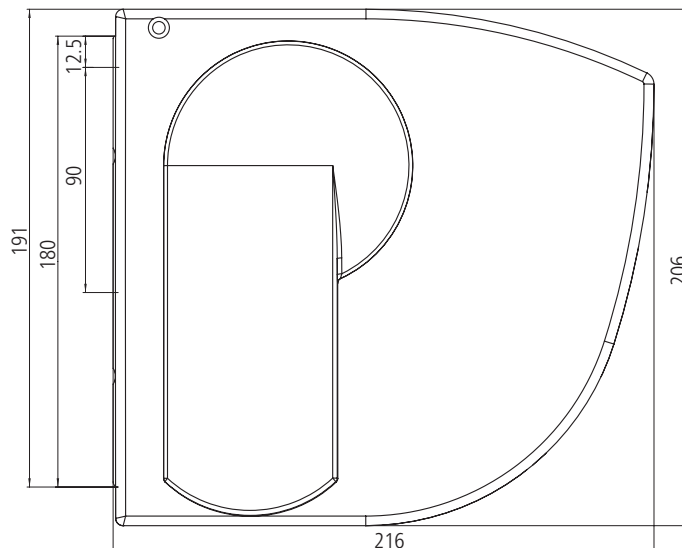
Its dimensions mean that the Topas can be mounted in a wide range of ways: not only on a wall but also on a ceiling or a rafter. The brackets and mounting plates are made of extruded, powder-coated aluminium.

Wall mounting – brackets



85 mm wall bracket

260 mm wall bracket

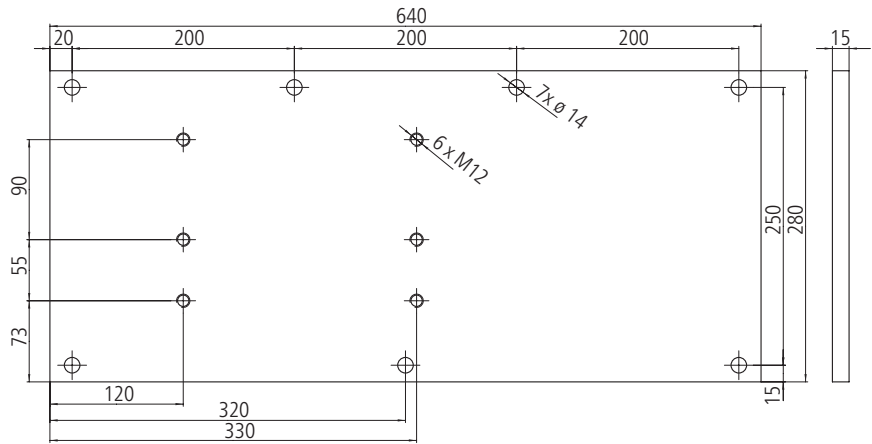


Side view of Topas with roof fitted to a wall

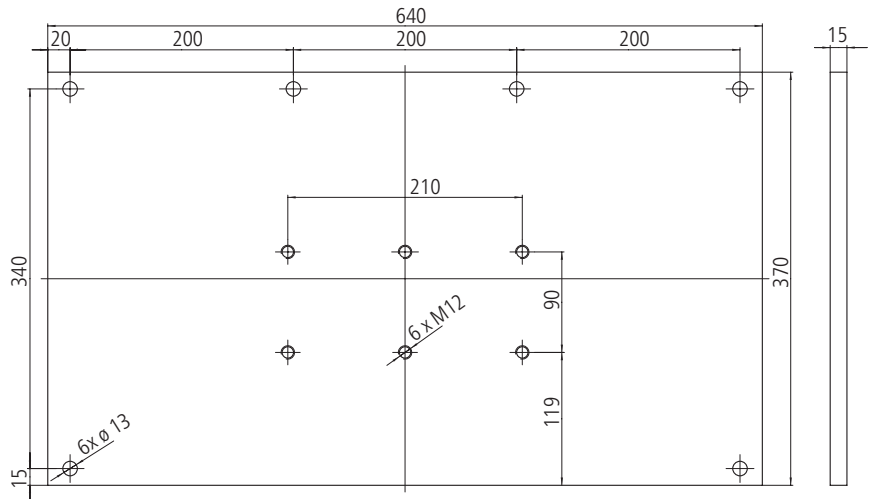
Wall mounting – mounting plates



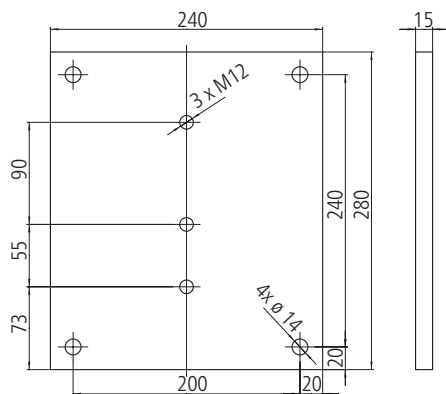
Mounting plate 640 x 280 x 15 mm



Mounting plate 640 x 370 x 15 mm

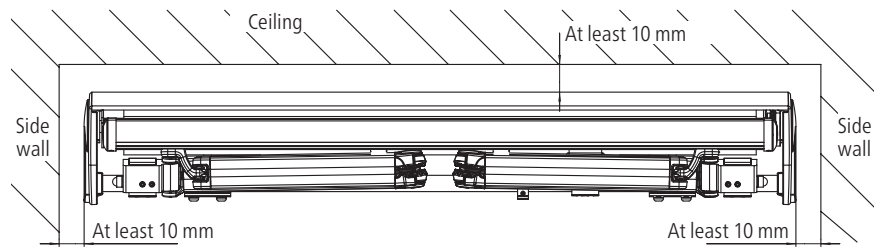


Mounting plate 240 x 280 x 15 mm



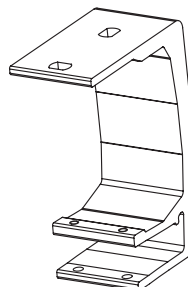
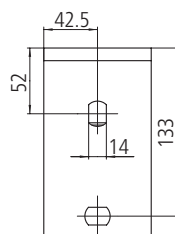
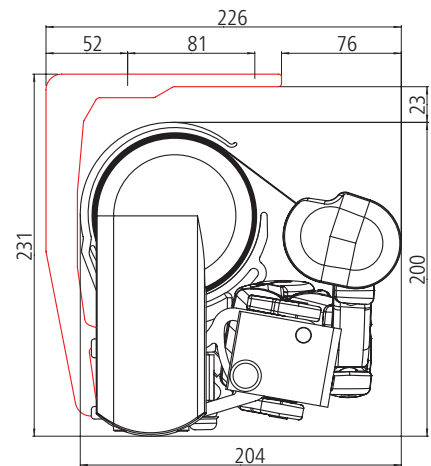
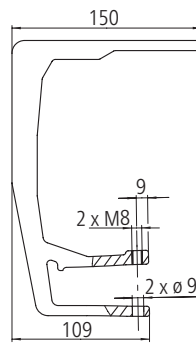
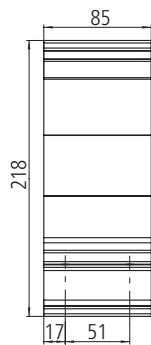
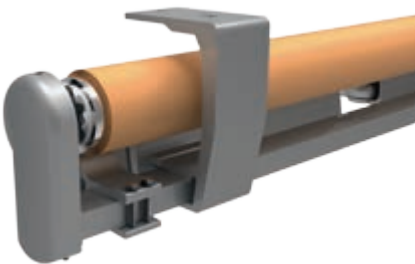
Topas Installation

Minimum spacing distances for installation



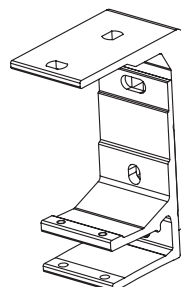
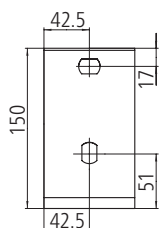
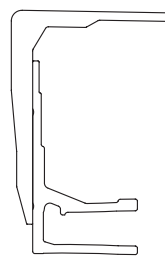
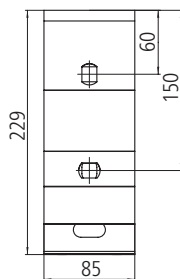
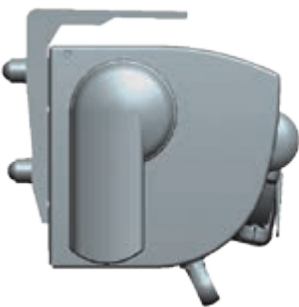
Ceiling mounting

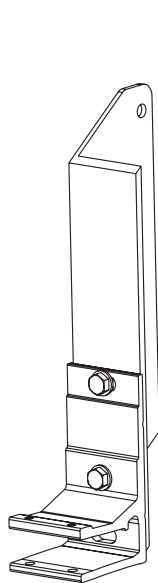
Topas without roof



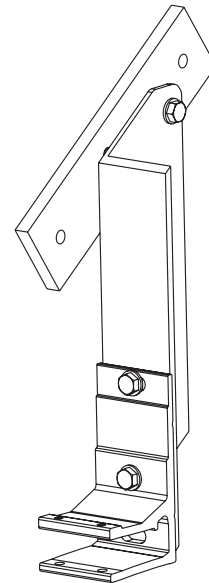
Side view of roofless Topas with sliding support bearing and compact ceiling bracket

Topas with roof

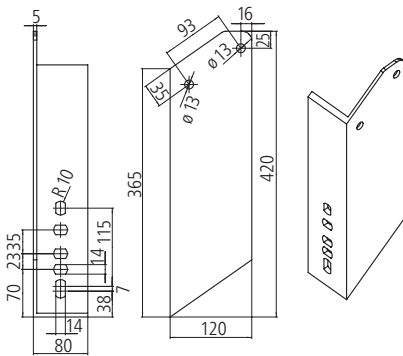




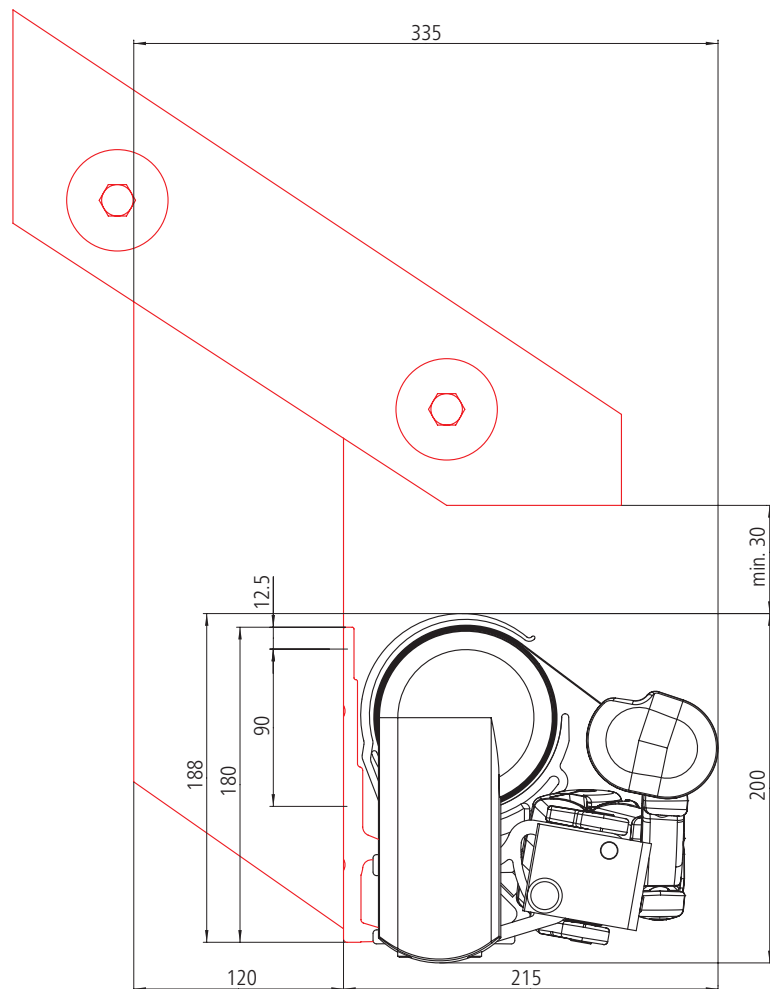
Right-hand rafter bracket



Rafter bracket with mounting plate for right-hand rafter. weinor recommends using mounting plates for rafter brackets.



Rafter bracket



Side view of rafter installation with roofless Topas

Extraction forces

The extraction force is the force with which the weight of the awning and the wind load pull on each upper fixing. The tables indicate this force in N per upper fixing. It varies depending on the awning size and the wall bracket/mounting plate used.

Selecting the wall bracket and anchoring system:

1. Consult relevant table for extraction force per fixing for selected awning size.
2. Select a wall bracket/mounting plate for which there is fixing material which can resist the indicated extraction force. Remember to take into account the spacing, the area which will be damaged if the fixing breaks out, the type of fixing material used and the mounting base.

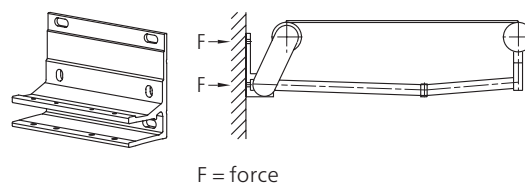
See separate bracket overview for other bases.

- 1 standard wall bracket (85 mm) plus 1 standard wall bracket (85 mm) as a central bracket from 401 cm, 1 standard wall bracket (85 mm) per awning arm, Fasteners: 4 in all
- 1 standard wall bracket (85 mm) plus 1 standard wall bracket (85 mm) as a central bracket from 401 cm, 2 standard wall brackets (85 mm) per awning arm, Fasteners: 8 in all
- 1 wall bracket (260 mm) plus 1 standard wall bracket (85 mm) as a central bracket from 401 cm, 2 wall brackets (260 mm) per awning arm, Fasteners: 16 in all
- Mounting plate (280 x 240 mm) incl. 1 standard wall bracket (85 mm), standard wall bracket (85 mm) incl. base plate, Fasteners: 8 in all

Wall mounting on C20/25 concrete with up to 200 mm of facing extraction force in N per upper fixing for wall bracket

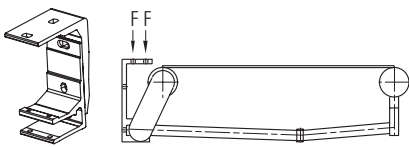
Width in cm	Projection in cm					
	150	200	250	300	350	400
250	818	1232	1776	2359	3128	4399
	409	616	888	1180	1564	2200
	205	308	444	590	782	1100
	238	358	516	684	908	1276
300	939	1419	2042	2716	3592	5088
	470	710	1021	1358	1796	2544
	235	355	511	679	898	1272
	272	412	592	788	1042	1476
350	1060	1606	2308	3074	4055	5776
	530	803	1154	1537	2028	2888
	265	402	577	769	1014	1444
	308	466	670	892	1176	1676
400	1181	1792	2573	3432	4518	6464
	591	896	1287	1716	2259	3232
	295	448	643	858	1130	1616
	342	520	746	996	1310	1874
450	1303	1979	2839	3790	4982	7253*
	652	990	1420	1558	2491	3627
	326	495	710	948	1246	1813
	378	574	824	1100	1444	2074
500	1424	2166	3104	4148	6244	7541*
	712	1083	1552	2074	3122	3771
	356	542	776	1037	1561	1885
	412	628	900	1202	1810	2274
550	1545	2352	3370	5163	6789*	8529*
	773	1176	1685	2582	3395	4265
	386	588	843	1291	1697	2132
	448	682	978	1498	1968	2474
600	1666	2539	3635	5582	7335*	9217*
	833	1270	1818	2791	3668	4609
	417	635	909	1396	1834	2304
	484	736	1054	1618	2128	2674
650	1787	2726	4455	6002	7880*	9906*
	894	1363	2228	3001	3940	4953
	447	682	1114	1501	1970	2477
	518	790	1292	1740	2286	2872
700	1272	1941	3176	4281	5617*	7063*
	636	971	1588	2141	2809	3532
	318	485	794	1070	1404	1766
	370	562	922	1242	1630	2050

* 2 brackets required per awning arm



Extraction forces

- 1 ceiling bracket with standard wall bracket (85 mm),
1 ceiling bracket with standard wall bracket as central bracket from 401 cm,
1 ceiling bracket with standard wall bracket (85 mm) per awning arm,
Fasteners: 4 in all
- 1 ceiling bracket, compact,
1 ceiling bracket, compact as central bracket from 401 cm,
1 ceiling bracket, compact per awning arm,
Fasteners: 4 in all



F = force

Ceiling installation (on C20/25 concrete)

Extraction force in N per upper fastener in ceiling bracket

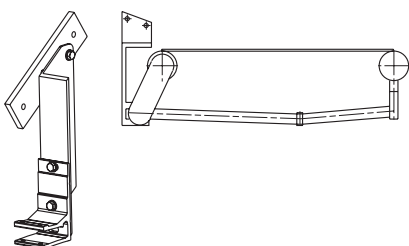
Width in cm	Projection in cm					
	150	200	250	300	350	400
250	917	1367	1963	2612	3469	4875
	459	684	982	1306	1735	2438
300	1060	1582	2264	3016	3991	5645
	530	791	1132	1508	1996	2823
350	1204	1796	2565	3419	4512	6414
	602	898	1283	1710	2256	3207
400	1347	2010	2867	3823	5034	7183
	674	1005	1434	1912	2517	3592
450	1490	2225	3168	4226	5556	7953*
	745	1113	1584	2113	2778	3977
500	1634	2439	3469	4630	6929*	8722*
	817	1220	1735	2315	3465	4361
550	1777	2654	3770	5719	7533*	9492*
	889	1327	1885	2860	3767	4746
600	1921	2868	4071	6187	8142*	10261*
	961	1434	2036	3094	4071	5131
650	2064	3083	4937	6654	8751*	11053*
	1032	1542	2469	3327	4376	5527
700	1472	2198	3522	4748	6239	7867
	736	1099	1761	2374	3120	3934

* 2 brackets required per awning arm

Rafter mounting

Shear forces in N per bracket for rafter mounting

- 1 rafter bracket plus
1 standard wall bracket (85 mm),
one of each for left and right,
1 rafter bracket plus 1 standard wall bracket (85 mm) as central bracket from a width of 401 cm
- 1 rafter bracket plus
1 mounting plate for rafters plus
1 standard wall bracket (85 mm),
one of each for right and left,
1 rafter bracket plus 1 mounting plate for rafters plus
1 standard wall bracket (85 mm) as a central bracket from a width of 401 cm



Width in cm	Projection in cm					
	150	200	250	300	350	400
250	1195	1796				
	558	801				
300	1374	2069	2982			
	645	926	1295			
350	1553	2342	3370	4504		
	732	1051	1467	1925		
400	1732	2615	3757	5027	6642	
	819	1176	1638	2152	2805	
450	1911	2888	4145	5550	7322	10493
	907	1302	1810	2378	3094	4377
500	2090	3160	4532	6073	8142	10261
	994	1427	1981	2604	3465	4361
550	2269	3433	4920	6496	8751	11053
	1081	1552	2153	2860	3767	4746
600	2448	3706	5307	7033	9261	11953
	1168	1677	2325	3455	4512	5845
650	2627	3979	5634	7470	9929	12953
	1256	1802	2795	3716	4845	6207
700	2095	3108	4942	6638	8749	11007
	1056	1465	2207	2893	3746	4659



Premium quality
made in Germany



Awning



Awning
with Valance Plus
and Tempura



Awning
with Valance Plus
and Paravento



Pergola awning
Plaza Viva
and Paravento



Pergola awning
weinor PergoTex II
and Tempura



Pergola awning
weinor PergoTex II
with VertiTex II



Terrazza
patio roof
with Sottezza II
sun protection



Terrazza patio roof
with lateral SUPER LITE
fixed glazing



Glasoase® with
conservatory awning
WGM Top and full glass
sliding door w17 easy

AWNINGS

PERGOLA AWNINGS

CUSTOMISED, SYSTEMISED SOLUTIONS

PATIO ROOFS AND GLASOASE®

We reserve the right to make technical changes as well as changes in range and product portfolio. For technical reasons, the colours may appear slightly different when printed.

As of: 08/2018 Z

