

Semi-cassette awning

# Semina

The **Semina** combines a fresh, youthful design with proven technology and reliable quality. The semi-cassette provides for safety, the safe protection of the fabric and technology and therefore also for an exceptionally long service life. The functions, look and profitability of the Semina have been systematically optimised and coordinated down to the very last detail. For a consistently intelligent solution made by weinor.



**Compact semi-cassette:**  
Great on price, functionality  
and design



**Stable, elegant brackets:**  
With easy access to  
adjust the pitch



Wall  
mounting



Ceiling  
mounting



Rafter mounting

**Optional LED Design  
light bar:**  
Highly energy-efficient



# Semina Highlights



**Integrated rain gutter:**  
Water drain



**Wind lock safety device:**  
Well-sheltered  
even in winds



**weinor LongLife arm:**  
Very durable and  
low-noise



# Semina Benefits



## The compact semi-cassette – great on price, functionality and design

Uncomplicated but high quality – the compact semi-cassette on the weinor Semina reliably protects the fabric and technology.

- Simple installation
- Compact cassette size
- Outstanding quality



## Integrated rain gutter – reliably drains off rainwater

The integrated rain gutter systematically drains off rainwater.

- Protects the fabric and the technology
- Reliably drains off any rainwater via the side caps on the projection profile when retracted
- Minimum pitch of 14° required for use in showers



## Wind lock safety device – well-sheltered even in winds

The ultramodern technology prevents the awning from lifting up when wind gusts from below.

- Tilting arm mechanism with patented wind lock safety device
- Proven, maintenance-free technology
- Forged and extruded aluminium components



## LED Design light bar – 30,000 hours of lighting with minimal energy consumption (optional)

Select LED components for top weinor quality:

- Atmospheric light thanks to special glass lenses
- Highly energy-efficient
- Operating life of 30,000 hours
- Radio-controlled dimmer using BiConnect
- Installs using an adjustable bracket fitted to the support pipe
- Easy-change LEDs

# Semina Technology

Semina	
<b>Technology</b>	
Max. width	700 cm
Max. projection	350 cm
Cassette size (w x h)	190 mm x 204 mm
Coupled systems	—
Gear drive	<input type="radio"/>
Motor drive	<input checked="" type="radio"/> as standard
Angle of pitch on awning	5° to 40°
Installation alternatives	can be installed on walls, ceilings and rafters
LongLife arm	<input checked="" type="radio"/> as standard
<b>Accessories</b>	
Heating system Tempura	<input type="radio"/>
LED Design light bar	<input type="radio"/>
BiSens Agido-3V product protection sensor	<input type="radio"/>
<b>Controls</b>	
Radio control	<input type="radio"/>
No remote	<input checked="" type="radio"/> fully wired and ready to plug in
<b>Weather sensors</b>	
Sun/wind sensor BiConnect BiSens SW-230 V	<input type="radio"/>
Sun/wind sensor solar powered BiConnect BiSens SW-Solar	<input type="radio"/>
Sun/wind/rain sensor BiConnect-BiSens-SWR-230V	<input type="radio"/>
<b>Quality</b>	
Tested up to	wind resistance class 2 according to DIN 13561 (wind strength 5 on the Beaufort scale)

standard    optional    unavailable

# Semina Controls

## weinor BiConnect radio controller

Product	Electronics	BiConnect control	Remote receiver	Transmitter
Semina	Semina drive	<ul style="list-style-type: none"> <li>• BiConnect remote-controlled motor integrated into awning</li> </ul>	Elero SunTop-868 remote-controlled motor	<ul style="list-style-type: none"> <li>• BiEasy 1M/5M/15M/15M Go! hand transmitter</li> <li>• App</li> <li>• 1MW-3V wall transmitter</li> </ul>
Semina	Semina drive	<ul style="list-style-type: none"> <li>• BiRec receiver integrated into cassette</li> </ul>	BiRec MA-K	<ul style="list-style-type: none"> <li>• BiEasy 1M hand transmitter</li> <li>• 1MW-3V wall transmitter</li> </ul>
Semina LED	Semina drive and LED lighting	<ul style="list-style-type: none"> <li>• BiConnect remote-controlled motor for main drive integrated into awning</li> <li>• Additional BiConnect receiver for LED light bar (with integrated power supply pack) integrated into light bar</li> <li>• Dimmable LED</li> </ul>	Elero SunTop-868 remote-controlled motor and BiRec LED	<ul style="list-style-type: none"> <li>• BiEasy 5M/15M/15M Go! hand transmitter</li> <li>• App</li> </ul>
Accessories (optional)	Tempura/Tempura Quadra heating system	<ul style="list-style-type: none"> <li>• Dimmable, additional receiver required</li> <li>• Installation of the receiver in the design bar provided for this purpose or the Tempura Quadra box</li> </ul>	BiRec HD	<ul style="list-style-type: none"> <li>• BiEasy 5M/15M/15M Go! hand transmitter</li> <li>• App</li> </ul>

Requires: awning with BiConnect remote control and sensors require a BiEasy 1M, 5M, 15M or 15M Go!

## Somfy RTS radio technology

Product	Electronics	Somfy RTS control	Remote receiver	Transmitter
Semina	Semina drive	<ul style="list-style-type: none"> <li>• Somfy RTS remote-controlled motor integrated into awning</li> </ul>	Somfy RTS remote-controlled motor	<ul style="list-style-type: none"> <li>• Telis 1 RTS Pure/Telis 1 Soliris RTS Pure/Telis 4 RTS Pure/Telis 4 Soliris RTS Pure hand transmitter</li> <li>• Smoove 1 wall transmitter</li> </ul>
Semina LED	Semina drive and LED lighting	<ul style="list-style-type: none"> <li>• Somfy RTS remote-controlled motor integrated into awning</li> <li>• Additional Somfy receiver for the LED light bar (with downstream power supply pack) integrated into light bar</li> <li>• LED not dimmable</li> </ul>	Somfy RTS remote-controlled motor and Lighting Slim Receiver RTS	<ul style="list-style-type: none"> <li>• Telis 4 RTS Pure/Telis 4 Soliris RTS Pure hand transmitter</li> </ul>
Accessories (optional)	Tempura/Tempura Quadra heating system	<ul style="list-style-type: none"> <li>• Not dimmable, additional receiver required</li> <li>• Installation of the receiver in the design bar provided for this purpose or the Tempura Quadra box</li> </ul>	Heating Slim Receiver RTS Plug	<ul style="list-style-type: none"> <li>• Telis 4 RTS Pure/Telis 4 Soliris RTS Pure hand transmitter</li> </ul>

## Somfy io-homecontrol® radio technology

Product	Electronics	Somfy io-homecontrol control	Remote receiver	Transmitter
Semina	Semina drive	<ul style="list-style-type: none"> <li>• Somfy io remote-controlled motor integrated into awning</li> </ul>	Somfy io remote-controlled motor	<ul style="list-style-type: none"> <li>• Situo 1 io Pure/Situo 5 io Pure/Easy Sun io Pure Shine hand transmitter</li> <li>• Smoove 1 io Pure Shine wall transmitter</li> </ul>
Semina LED	Semina drive and LED lighting	<ul style="list-style-type: none"> <li>• Somfy io remote-controlled motor integrated into awning</li> <li>• Additional Somfy receiver for the LED light bar (with downstream power supply pack) integrated into light bar</li> <li>• LED not dimmable</li> </ul>	Somfy io remote-controlled motor and Lighting Receiver io	<ul style="list-style-type: none"> <li>• Situo 5 io Pure/Easy Sun io Pure Shine hand transmitter</li> </ul>
Accessories (optional)	Tempura/Tempura Quadra heating system	<ul style="list-style-type: none"> <li>• Not possible with Somfy io control</li> </ul>		

## Hard wired with Somfy control

Product	Electronics	Hard wired Somfy control	Control
Semina	Semina drive	<ul style="list-style-type: none"> <li>• Somfy control for awning drive</li> </ul>	e.g. Soliris Smoove Uno
Semina LED	Semina drive and LED lighting	<ul style="list-style-type: none"> <li>• Somfy control for awning drive</li> <li>• Switch on site for the LED light bar</li> <li>• LED power supply pack integrated into light bar</li> <li>• LED not dimmable</li> </ul>	e.g. Soliris Smoove Uno and suitable light switch (on site)
Accessories (optional)	Tempura/Tempura Quadra heating system	<ul style="list-style-type: none"> <li>• Not dimmable</li> </ul>	Suitable switch (on site)

## Hard wired (existing switch/power supply on site)

Product	Electronics	Hard wired control	Control
Semina	Semina drive	<ul style="list-style-type: none"> <li>• Awning switch for the awning drive</li> </ul>	e.g. double rocker switch switch (on site)
Semina LED	Semina drive and LED lighting	<ul style="list-style-type: none"> <li>• Awning switch for the awning drive</li> <li>• Switch on site for the LED light bar</li> <li>• LED power supply pack integrated into light bar</li> <li>• LED not dimmable</li> </ul>	e.g. double rocker switch and suitable light switch (on site)
Accessories (optional)	Tempura/Tempura Quadra heating system	<ul style="list-style-type: none"> <li>• Not dimmable</li> </ul>	Suitable switch (on site)

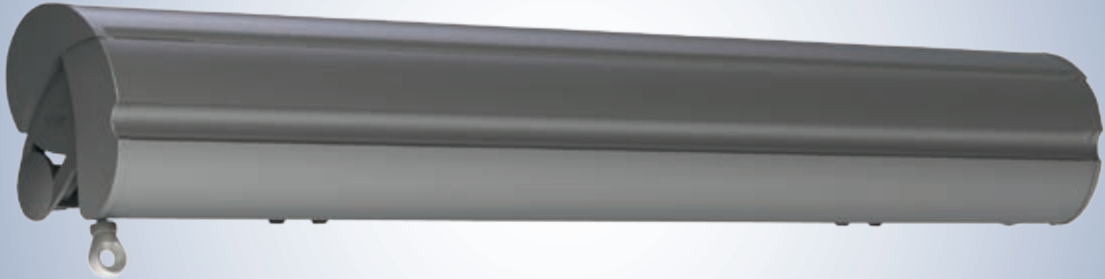


**Note:**

Please see the "Accessories" technical brochure for further details regarding the drive and control.

Some options are subject to a surcharge. For prices, please refer to the weinor awnings price list.

### Semina with gear drive – the basic version

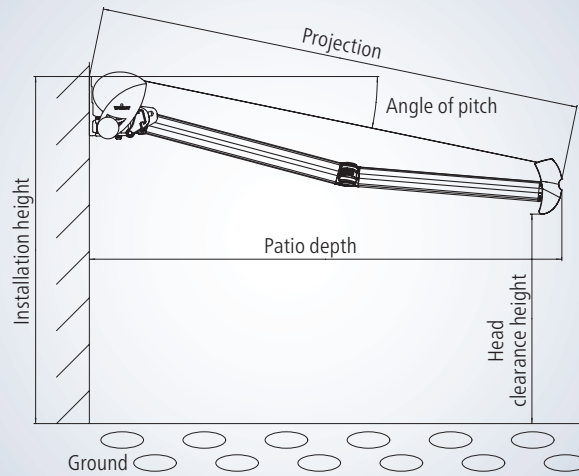


Sometimes, a gear/crank operated awning is a possible alternative: with smaller awnings, for example, or rarely-used units, or where connecting to a power source is a complicated solution. The cost of an awning without a motor as standard is correspondingly lower.

- Sprag clutch with easy-to-set end stop
- No power source required
- Inconspicuous components



# Semina Planning



## Site measurements – determining the projection and head clearance height

- Find the projection by looking in the “Projection” table for the terrace depth.
- Using the projection from the table and the required angle of pitch, consult the “head clearance height” table for the head clearance height. This head clearance height refers to an installation height of 300 cm.
- Add/subtract the difference between 300 cm and the actual installation height to/from the head clearance height in the table.

### Determining the projection

Angle of pitch	Terrace depth in cm					
	150	200	250	300	350	400
5°	150	200	250	300	350	400
15°	160	210	260	310	360	400
25°	170	220	270	330	390	400

Projection in cm (rounded figures)

This table can be used to find the awning projection for any given horizontal patio depth.

### Determining the head clearance height

Angle of pitch	Projection in cm					
	150	200	250	300	350	400
5°	270	270	260	260	250	250
15°	240	230	220	210	200	180
25°	220	200	180	160	140	110

Head clearance height in cm (rounded figures)

This table is used to find the head clearance heights for various projections when the angle of pitch is 5°, 15° or 25°.

This table is based on the example of an installation height of 300 cm (upper edge of awning).

**Wall bracket**

**Sizes and bracket recommendations**



Width in cm	Number of arms	Projection in cm (irregular figures possible)				
		150	200	250	300	350
195 – 200	2	●				
201 – 250	2	●	●			
251 – 300	2	●	●	●		
301 – 350	2	●	●	●	●	
351 – 400	2	●	●	●	●	●
401 – 450	2	●	●	●	●	▲
451 – 500	2	●	●	●	●	▲
501 – 550	2	●	●	●	●	▲
551 – 600	2	●	●	●	▲	▲
601 – 650	2	▲	▲	▲	▲	▲
651 – 700	3	▲	▲	▲	▲	▲

**Wall mounting on C20/25 concrete**

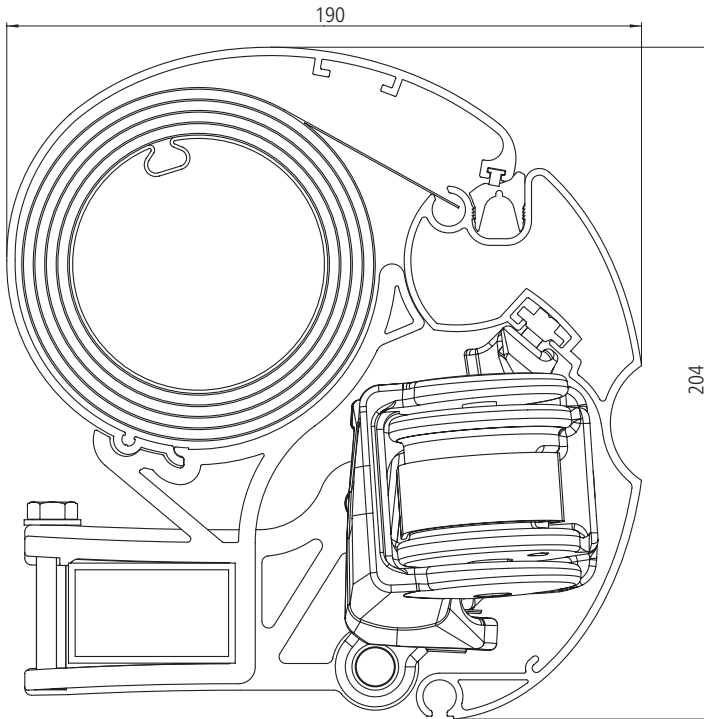
with up to 200-mm facing, wind resistance class 2 and a permissible centic tensile load of 5.71 kN for anchor bolts

- 2 Semina standard wall brackets 85 mm
- 3 Semina standard wall brackets 85 mm
- ▲ 5 Semina standard wall brackets 85 mm
- ▲ 7 Semina standard wall brackets 85 mm

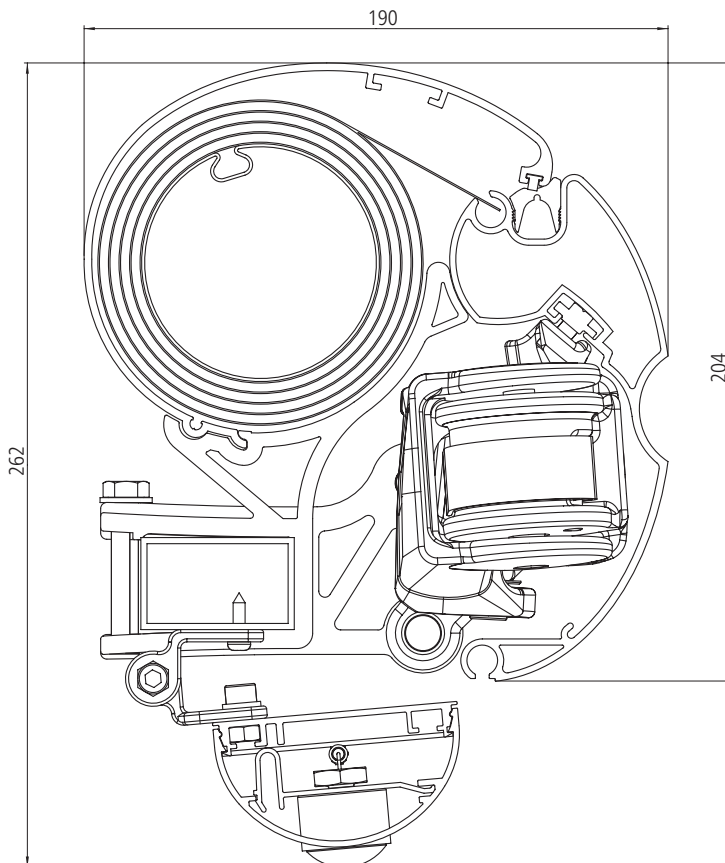


Cross-sections

Semina



Semina with LED Design light bar

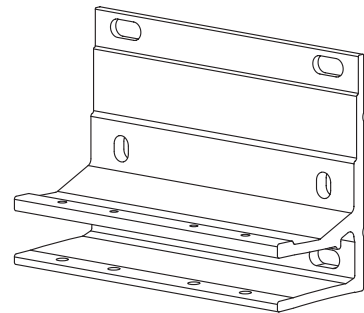
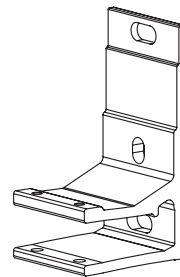
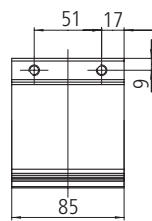
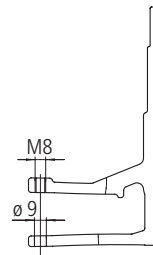
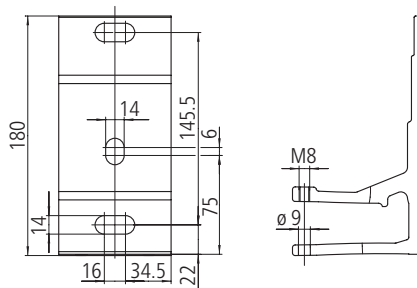


# Semina Installation

## Installation on walls, ceilings and rafters is possible

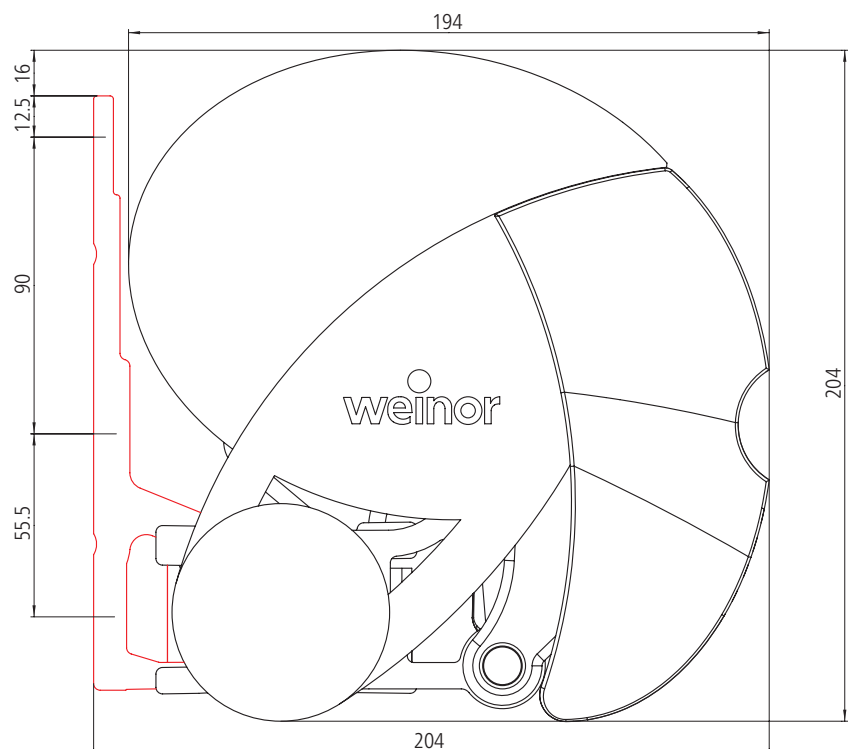
The tried-and-tested carrier bar construction makes for uncomplicated and flexible installation: simply align and screw down the brackets, then slide the awning onto the carrier bar in the brackets and secure in place. Done! The brackets and mounting plates are made of extruded, powder-coated aluminium.

## Wall mounting – brackets



85 mm wall bracket

260 mm wall bracket

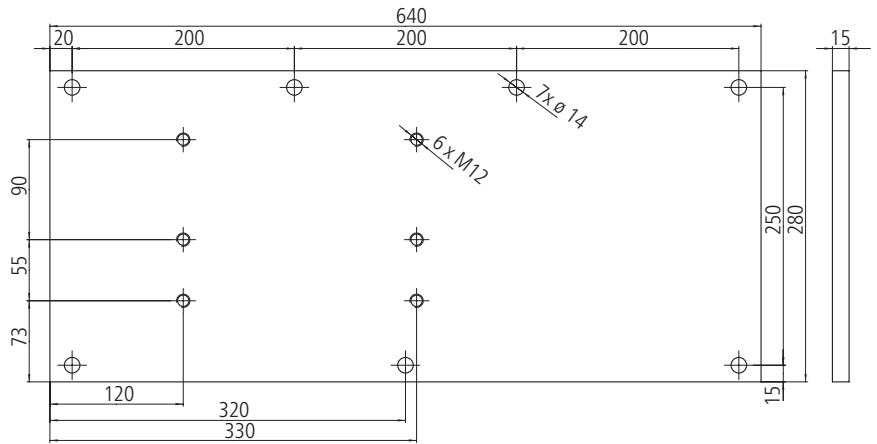


Side view with 85 mm wall bracket

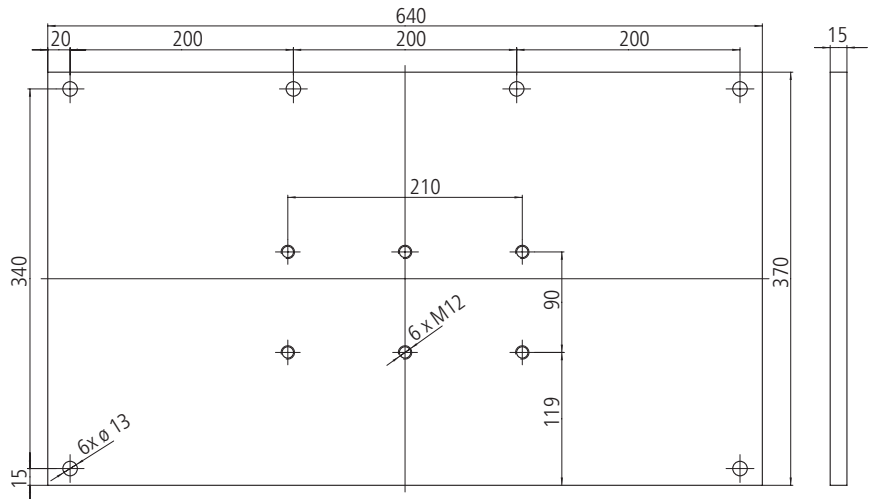
Wall mounting – mounting plates



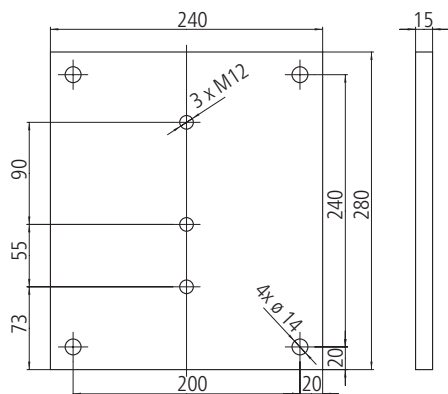
Mounting plate 640 x 280 x 15 mm



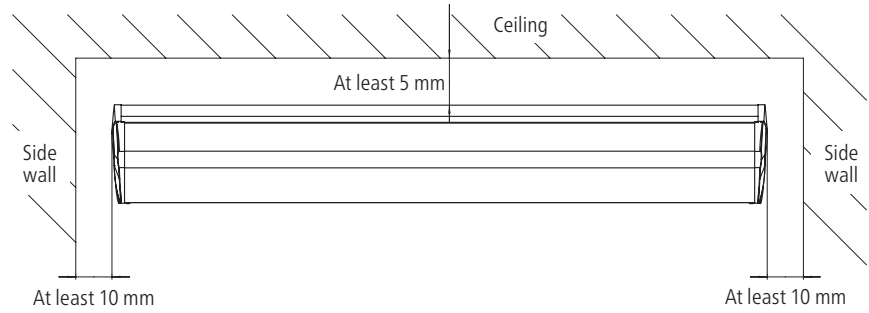
Mounting plate 640 x 370 x 15 mm



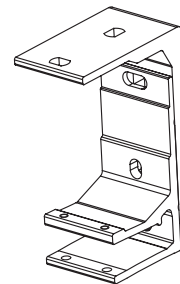
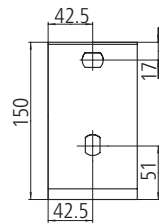
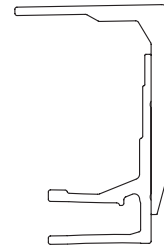
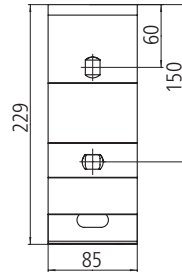
Mounting plate 240 x 280 x 15 mm



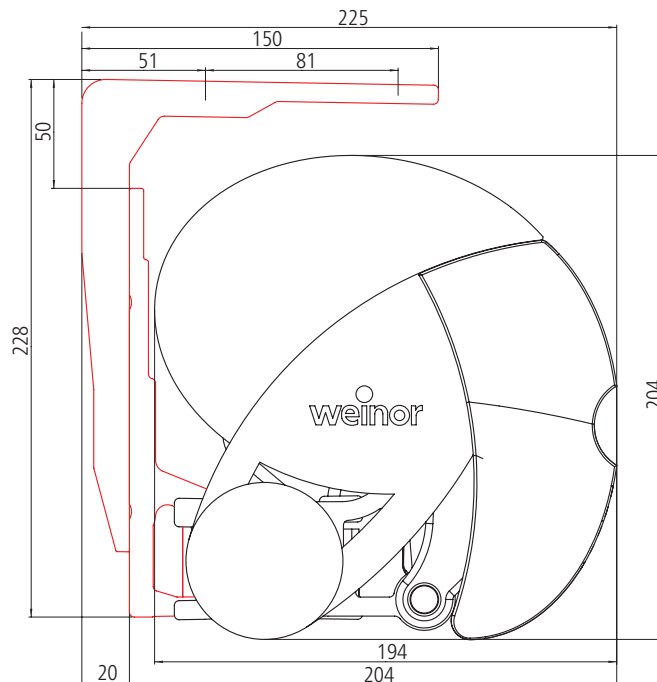
**Minimum spacing distances for installation**



**Ceiling mounting**



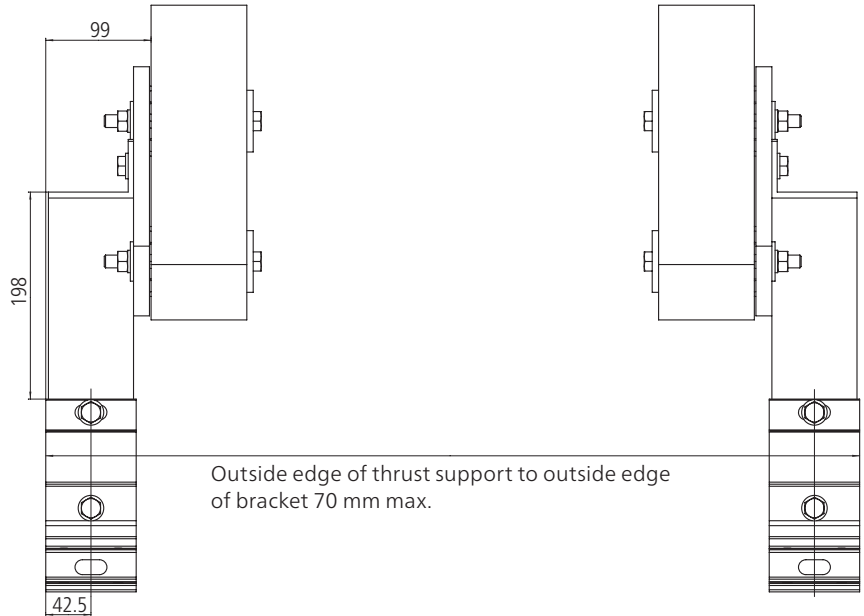
Ceiling bracket



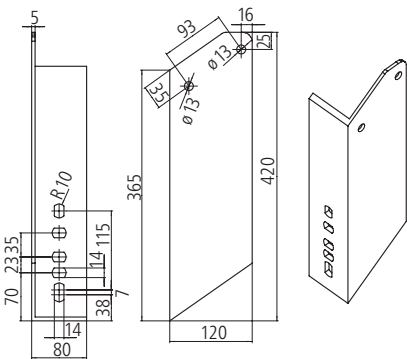
Side view with ceiling bracket



Rafter mounting



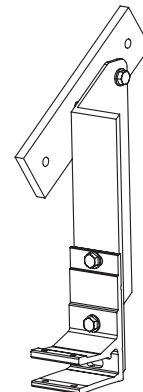
Rafter mounting



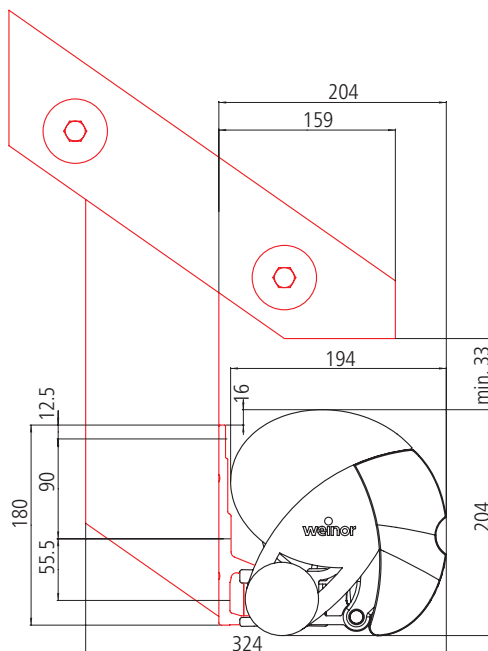
Rafter bracket



Rafter installation without a mounting plate



Rafter installation with a mounting plate



Side view of rafter bracket installation





## Extraction forces

The extraction force is the force with which the weight of the awning and the wind load pull on each upper fixing. The tables indicate this force in N per upper fixing. It varies depending on the awning size and the wall bracket/mounting plate used.

Selecting the wall bracket and anchoring system:

1. Consult relevant table for extraction force per fixing for selected awning size.

2. Select a wall bracket/mounting plate for which there is fixing material which can resist the indicated extraction force. Remember to take into account the spacing, the area which will be damaged if the fixing breaks out, the type of fixing material used and the mounting base.

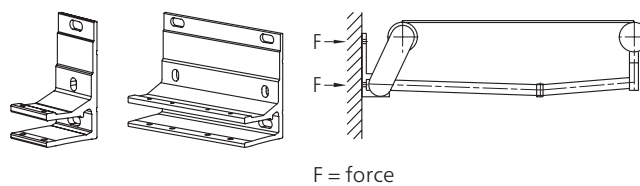
See separate bracket overview for other bases.

- 1 standard wall bracket (85 mm)  
1 standard wall bracket (85 mm) per awning arm  
Fasteners: 2 per bracket
- 1 standard wall bracket (85 mm)  
2 standard wall brackets (85 mm) per awning arm  
Fixings: 2 per bracket  
or  
1 wall bracket (260 mm) plus  
1 standard wall bracket (85 mm) as a central bracket,  
1 wall bracket (260 mm) per awning arm  
Fixings: 10 in all
- 1 wall bracket (260 mm) plus  
1 standard wall bracket (85 mm) as a central bracket,  
2 wall brackets (260 mm) per awning arm  
Fixings: 10 in all
- Mounting plate (240 x 280 mm) incl. 1 standard wall bracket (85 mm),  
Standard wall bracket (85 mm) incl. base plate  
Fixings: 4 in all



**Non pressure resistance surface** – Extraction forces for rawl plugs in N per upper fixing of the bracket located close to an arm

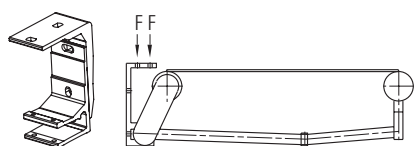
Width in cm	Projection in cm				
	150	200	250	300	350
250	932	1979	1955		
	466	990	978		
	233	495	489		
	270	400	568		
300	1076	1595	2257	2971	
	538	798	1129	1486	
	269	399	564	743	
	312	462	654	862	
350	1220	1811	2560	3372	4399
	610	906	1280	1686	2200
	305	453	640	843	1100
	354	526	742	978	1276
400	1364	2028	2862	3773	4912
	682	1014	1431	1887	2456
	341	507	716	943	1228
	396	588	830	1094	1424
450	1508	2244	3164	4174	5425
	754	1122	1582	2087	2713
	377	561	791	1044	1356
	438	650	918	1210	1574
500	1652	2461	3466	4575	6736
	826	1231	1733	2288	3368
	413	615	867	1144	1684
	480	714	1006	1326	1954
550	1796	2677	3768	5533	7331*
	898	1339	1884	2767	3666
	449	669	942	1383	1833
	520	776	1092	1634	2126
600	1940	2894	4070	6095	7927*
	970	1447	2035	3048	3964
	485	724	1018	1524	1982
	562	840	1180	1768	2298
650	2085	3110	4925	6558	8522*
	1043	1555	2463	3279	4261
	521	778	1231	1640	2131
	604	902	1428	1902	2472
700	1486	2217	3514	4680	6079
	743	1109	1757	2340	3040
	372	554	879	1170	1520
	430	642	1018	1358	1762

\* 2 standard wall brackets (85 mm) per arm required



## Extraction forces

-  Ceiling bracket with wall bracket  
Fixings: 2\* per bracket
-  Ceiling bracket with wall bracket  
Starting from 5 brackets  
Fixings: 2\* per bracket


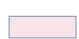


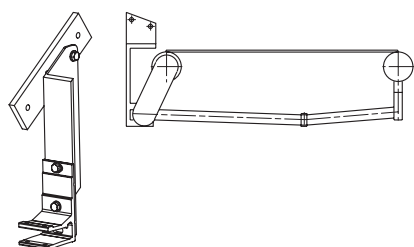
F = force

**Ceiling mounting (on concrete C20/25)** Extraction forces in N for ceiling mounting + front mounting on concrete ceilings

Width in cm	Projection in cm				
	150	200	250	300	350
250	1035	1524	2159	2846	3741
	518	762	1080	1423	1871
300	1202	1771	2500	3297	4318
	601	886	1250	1649	2159
350	1370	2017	2841	3749	4896
	685	1009	1421	1875	2448
400	1537	2263	3182	4200	5473
	769	1132	1591	2100	2737
450	1705	2510	3523	4652	6051*
	853	1255	1762	2326	3026
500	1852	2756	3864	5103	7473*
	926	1378	1932	2552	3737
550	2039	3002	4205	6239*	8138*
	1020	1501	2103	3120	4069
600	2207	3249	4546	6755*	8803*
	1104	1625	2273	3378	4402
650	2374	3495	5451	7270*	9467*
	1187	1748	2726	3635	4734
700	1278	2495	3891	5190	6755
	639	1248	1946	2595	3378

\* 2 brackets required per awning arm

-  Rafter bracket plus standard wall bracket
-  Rafter bracket plus mounting plate for rafter bracket, plus standard wall bracket



### Rafter mounting

Shear forces in N per bracket for rafter mounting

Width in cm	Projection in cm				
	150	200	250	300	350
250	1352	2004			
	621	885			
300	1562	2319	3294		
	721	1027	1421		
350	1773	2634	3734	4940	
	821	1169	1614	2102	
400	1983	2949	4174	5526	7223
	921	1312	1807	2353	3033
450	2194	3264	4614	6112	7962
	1021	1454	2000	2605	3353
500	2405	3579	5054	6698	8916
	1121	1596	2193	2857	3702
550	2615	3894	5495	7411	9723
	1221	1738	2386	3122	4011
600	2826	4209	5935	8053	10623
	1321	1881	2578	3358	4329
650	3036	4524	6474	8795	11623
	1421	2023	2870	3705	4723
700	3247	4839	7011	9411	12423
	1574	2123	3070	4045	5223



Premium quality  
made in Germany



Awning



Awning  
with Valance Plus  
and Tempura



Awning  
with Valance Plus  
and Paravento



Pergola awning  
Plaza Viva  
and Paravento



Pergola awning  
weinor PergoTex II  
and Tempura



Pergola awning  
weinor PergoTex II  
with VertiTex II



Terrazza  
patio roof  
with Sottezza II  
sun protection



Terrazza patio roof  
with lateral SUPER LITE  
fixed glazing



Glasoase® with  
conservatory awning  
WGM Top and full glass  
sliding door w17 easy

## AWNINGS

## PERGOLA AWNINGS

# CUSTOMISED, SYSTEMISED SOLUTIONS

## PATIO ROOFS AND GLASOASE®

