



Patio roof

Terrazza

Terrazza Originale | Plus

High-quality: The weinor **Terrazza** patio roof convinces with its elegant construction, shapely design and high resilience. The modular system can be expanded by vertical glass elements to create the transparent Glasoase®. Other features include sun protection, light and heating. The numerous versions make it suitable for the most diverse types of building and requirements.

06



160 guttering

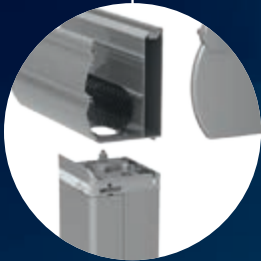


220 guttering

Choose between
2 posts:



90 post



115 post

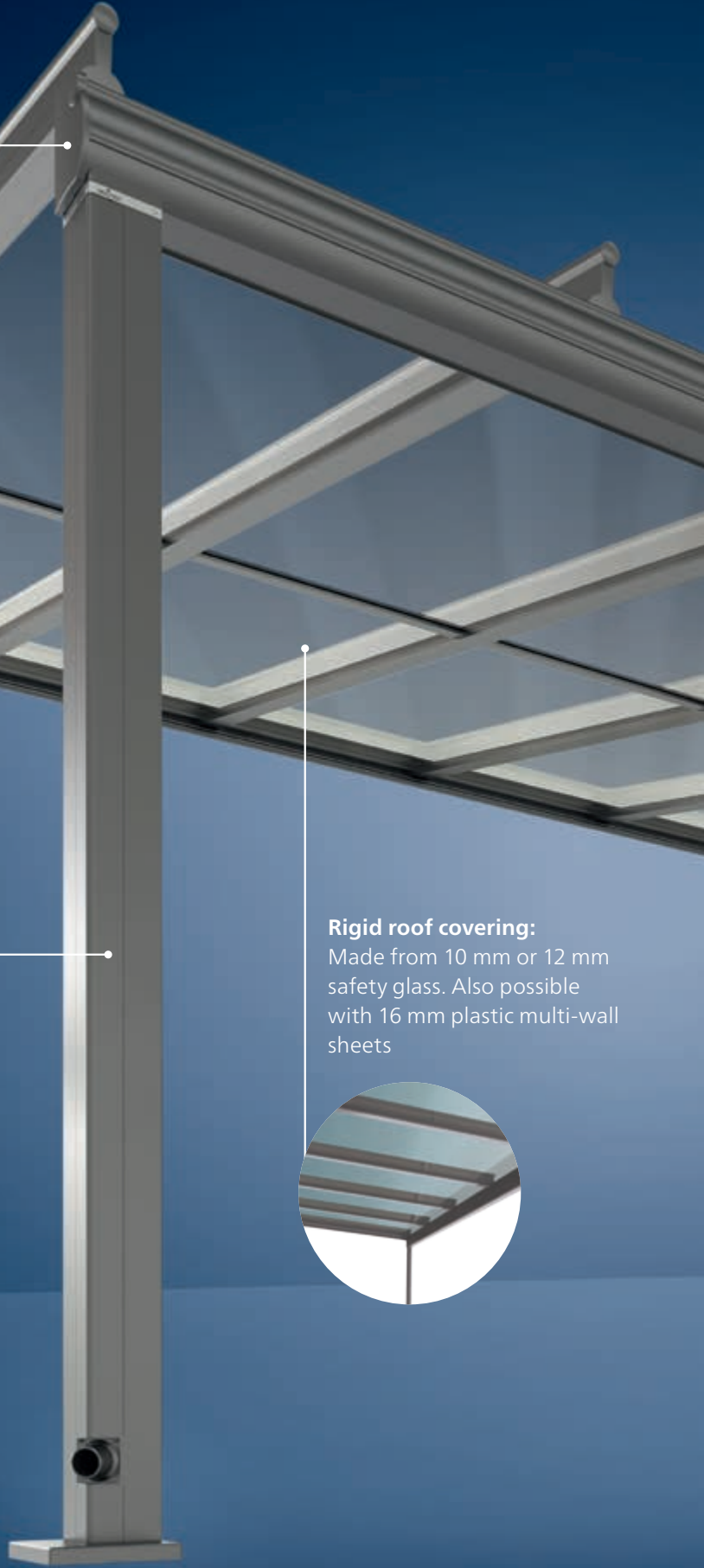


115 post for
220 guttering



Rigid roof covering:

Made from 10 mm or 12 mm safety glass. Also possible with 16 mm plastic multi-wall sheets



Terrazza Originale | Plus Highlights



Elegant design:
A seamless look

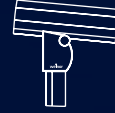


Rigid aluminium construction:
Tested safety all round

Two roof types:
Many versions



Terrazza Originale



Terrazza Plus



Terrazza Originale
the 220 guttering



Terrazza Plus
the 220 guttering



Straightforward, functional design:

Posts with integrated, easily accessible water drainage

Expandable system:

Can be retrofitted afterwards with

- Patio lighting
- Tempura
- Sun protection systems
- BiConnect remote control
- Air-conditioning system



Can be expanded by vertical glass elements into the weinor Glasoase®, the transparent weather protection. We recommend the 115 post for perfect installation.

Terrazza originale | Plus Benefits



Elegant design – a seamless look

The weinor Terrazza patio roof captivates through its harmonious design. The elegant yet rigid construction is thought out down to the finest detail:

- No mounting grooves
- No silicone
- Almost no visible screws



Rigid aluminium construction – tested security all-round

The resilient construction is based on structural computations by a certified engineering consultancy.

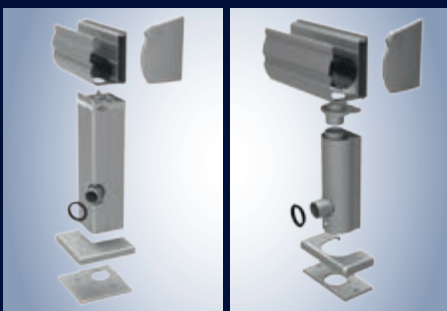
- No thermal separation
- Highest quality aluminium extrusion – thick profile walls
- Corrosion-proof thanks to aluminium profiles and stainless steel screws
- Snow load of up to 550 kg/m²
- Roof depths of up to 6,000 mm



Rigid roof covering – resilient and shatter-proof

The weinor Terrazza is rated for high-quality laminated safety glass (LSG):

- Glass specification either 10 or 12 mm LSG
- Highly resilient, structurally tested
- Accessible to personnel for maintenance work from a thickness of 10 mm
- 16 mm polycarbonate available as an option (rain noise!)



115 post

90 post

Invisibly integrated downspout

Rainwater is systematically drained away by the downspout discretely integrated into the post. Upon request, the drain can also be fed through a post plate. The optional greenery filter prevents the ingress of leaves and the like into the rain gutter. The Terrazza posts are available selectively as 115 posts (square) or 90 posts (round) to match the style of architecture and home.



DR 160

DR 220

Better statics – larger widths

The guttering is considerably more durable thanks to the new extra headroom of 220 mm compared to 160 mm. Depending on the depth and snow load, up to 20% wider spans can be managed between the posts without reinforcing the guttering with steel. As a result, larger widths are possible without any middle posts.

Terrazza Originale | Plus Benefits – expandable system



Wall mounting



Roof assembly

LED/Design strip light– use of patio into the evening (option)

Strip lights enable the patio roof to be used for longer periods.

- Atmospheric light thanks to special glass lenses
- Highly energy-efficient
- Operating life of 30,000 hours
- Infinitely dimmable when used with BiConnect radio control
- Easy to service: simple replacement of individual LED lights
- Housing in the patio roof colour
- Including connection lead and lead rail
- Easy to retrofit
- Individual length up to 6,500 mm



High-performance Tempura heating system (optional)

Tempura and Tempura Quadra, the energy-efficient infrared heating systems, impress with a heat output of 1,500 watt in a tiny housing.

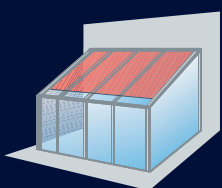
- Instant heat: no warm-up time
- Turn as required for targeted warmth
- Operate and dim using BiConnect radio control
- Splash protection
- Comes in 47 standard frame colours plus 9 scratch-proof, resistant trend colours with a smart, textured look
- Optional: 150 special RAL colours
- Universal bracket makes it easy to retrofit
- TÜV tested



Sun protection – glare, privacy and heat protection

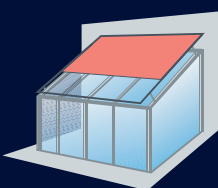
Sun protection systems from weinor satisfy a host of requirements: they prevent unpleasant dazzle effects and the fading of furniture and carpets. They ensure sideways visual and dazzle protection. And they prevent overheat effects with closed vertical elements.

- Perfectly matched to the Terrazza patio roof
- Can be retrofitted afterwards
- Choice of 150 fabric designs



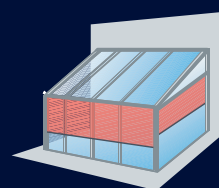
Under roof awning

The Sottezza II under roof conservatory awning protects against dazzle and UV rays. Perfectly matched to the Terrazza, it is ideally suited for well-ventilated rooms.



The over roof awning

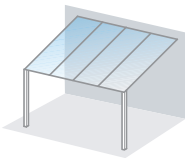
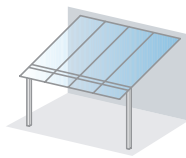
A roof-mounted conservatory awning from the WGM range is the ideal solution for side elements that are closed for the most part. It reduces the greenhouse effect.



Front/side sun protection

The weinor VertiTex vertical sun protection system offers reliable privacy, glare and sun protection. Fitted with a fabric from the screens by weinor® collection, it improves air circulation.

Terrazza originale | Plus Technology

| Terrazza roof system versions | Terrazza Originale | Terrazza Plus |
|---|---|---|
| |  |  |
| | Pent roof with integrated rain gutter | Pent roof with integrated rain gutter and roof overhang |
| Technology | | |
| Max. roof width | all widths possible, depending on number of posts | |
| Max. roof depth (roof support S/L) | 3,000 mm/6,000 mm | 3,500 mm/6,000 mm |
| Roof pitch in Quick & Easy (3°* to 15°) Caution: < 5° the roof's impermeability is at risk | ● | ● |
| Roof pitch (5° to 15°) | ● | ● |
| Roof pitch (> 15° to 45°) | ○ | — |
| Guttering drainage | ○ covered or outside | ○ covered or outside |
| Snow load 750 N/m ² | ● | ● |
| Snow loads up to 5,500 N/m ² | ○ | ○ |
| Accessories | | |
| Underlay sun protection | ○ | ○ |
| Overlay sun protection | ○ | ○ |
| Vertical sun protection | ○ | ○ |
| Vertical glass elements | ○ | ○ |
| Tempura/Tempura Quadra heating system | ○ | ○ |
| LED light bar | ○ | ○ |
| Sliding skylight | ○ | ○ |
| Roof vent | ○ | ○ |
| Terrazza system posts | | |
| 115 post (square) | ● | ● |
| 90 post (round) | ● | ● |
| Terrazza system guttering | | |
| 160 guttering | ● | ● |
| 220 guttering (only possible with the 115 post) | ○ | ○ |

● standard ○ optional — unavailable

* With roof pitches < 5°:

- With large roof depths and the use of glass staves, there are restrictions with impermeability, if applicable, additional sealing measures are required here.
- Larger deposits form faster in front of glass staves (moss, biofilm etc.).
- With the use of trapezium fillings on the side, the glass area becomes very narrow and therefore neither visually attractive nor very easy to install.
- Using air vents may lead to water getting in (rain due to wind etc.).
- Water that is not drained and water pooling in front of the staves may lead to ice on the roof in cold temperatures.

Terrazza Originale | Plus Technology



06

General notes

Terrazza scope of delivery

All the small parts required to install a Terrazza roof are supplied as standard. Please also note any possible different or additional statements in the commercial or technical confirmation of the order.

Site measuring/Terrazza planning

- Accurate site measuring is a basic requirement for the job to be carried out well. It is the foundation for the roof's production and to establish other construction requirements.
- weinor needs the roof dimension you want. Please make a note of obstacles like: protruding walls, rainwater downpipes, etc.
- Remember: the roof must be aligned straight.
- Permanently mark the cutting check and location of the special features you noted on site.
- Ideally, take digital photos of the installation site. Your technicians will be grateful for the more detailed information from good photos later on. The weinor staff can then get a better idea of what the site looks like and possibly provide you with non-binding details.
- Also measure the current situation on your building site. This makes it easier to talk about any necessary changes without measuring the site again.
- Unless otherwise specified, the glazing elements will be provided in the specified standard version.
- When designing the glazing elements and specifying glass thicknesses, the relevant statutory regulations must be observed at all times. weinor plans the glazing elements according to the lowest wind load (installation height: 0–8 m; dynamic pressure: 500 N/m²) and applies the specified standard glass thickness to the glazing elements. If different GE types are being used, this may result in deviations in the shape and/or colour of the various handles and glazing beads.
- The owner and customer are ultimately responsible for the statics design of the roof, glazing elements and accessories. In this context, the relevant valid statutory regulations must be observed, in particular Eurocode DIN EN 1990 and 1991, which defines wind and snow loads.
- Powder coating: All weinor patio roof and glazing element surfaces are always supplied powder-coated. Caution, deviations in colour: the degree of sheen in the coating and different powder manufacturers may lead to deviations in colour occurring. The critical colours are RAL 9006 and RAL 9007 as well as all metallic (WT) colours.
- As a rule, production will not commence until after written approval of the order. Orders placed via the E-Shop

are accepted without written approval and forwarded to Production immediately after the order confirmation has been dispatched. No collateral agreements will be accepted as part of the contract.

- Changes to orders made after an order has been approved are only possible in certain instances depending on how far along the production stage has advanced and will therefore incur an additional charge.

Sun protection

- You can either provide sun protection for the Terrazza roof using a WGM Top or undermounted Sottezza II conservatory awning.
- The weinor VertiTex II can provide sun protection for the front. This also provides glare and privacy protection.

Installation

- Check the structural conditions: foundation, floor panel, cutting check, masonry
- Check the drawing according to Engineering
- Preparatory work:
 - Check the roof and accessories scope of delivery with parts list/drawing from the confirmation of the order
 - Unpack the scope of delivery
 - Check it for damage
 - Start installation
 - Instructions are available for installation.

Recommended installation material (not in scope of delivery)

- Fixings for mounting the roof to the wall and floor
- Fixings for glazing elements
- Glazing blocks, silicone, sealing glue, Kompri-Band, films, filler cord, insulation material, PU foam
- Weather protection angle bracket above the wall bracket
- Spacers for shimming glazing elements onto the floor

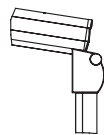
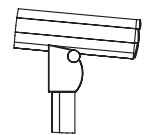
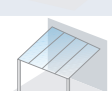

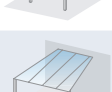

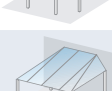
In case of complaints

If something appears to have not been carried out to your satisfaction:

- Take a photo of the package concerned (if possible, a digital photo).
- Make a detailed note of the causes, e.g. the actual dimensions of the supplied package. Our technicians can then compare the dimension with the target dimension to quickly establish the causes.
- Make a detailed note of the target dimension you would have expected. Our technicians can often draw important conclusions from this and give you more tips
- Please immediately contact the weinor office.

Terrazza Originale | Plus Planning

Roof types and combination options

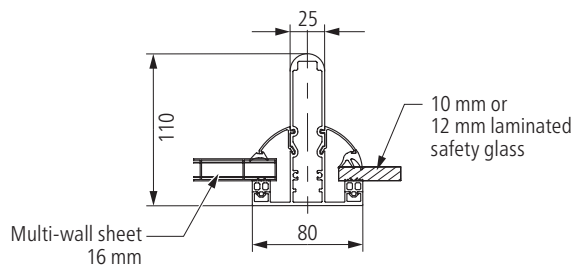
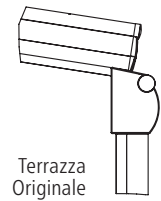
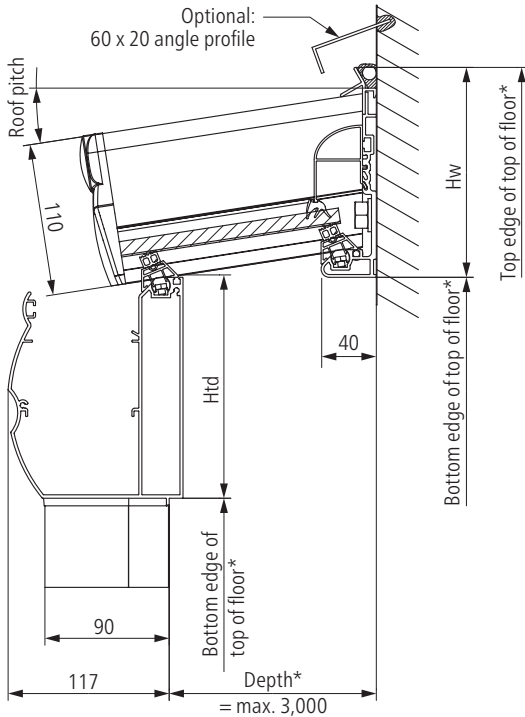
| Terrazza | | | Originale | | Plus | |
|---|---|---|---|----------|---|----------|
| | |  |  | |  | |
| | | | 90 post | 115 post | 90 post | 115 post |
|  | Pent roof type A Depending on the design, differing distances between centre lines and the resultant additional roof panels can occur. | 160 / 220 | ○ | ○ | ○ | ○ |
|  | Pent roof type A with wall offset Depending on the design, differing distances between centre lines and the resultant additional roof panels can occur. | 160 / 220 | ○ | ○ | ○ | ○ |
|  | Pent roof type A with balcony recess Depending on the design, differing distances between centre lines and the resultant additional roof panels can occur. | 160 / 220 | ○ | ○ | ○ | ○ |
|  | Pent roof type A with guttering offset Depending on the design, differing distances between centre lines and the resultant additional roof panels can occur. | 160 | ○ | ○ | ◇ | ◇ |
|  | Pent roof type A tapered wall bracket left/right Pent roof with tapered wall bracket or partially tapered wall bracket | 160 | ○ | ○ | ○ | ○ |
|  | Pent roof type A tapered guttering left/right Pent roof with tapered guttering or partially tapered guttering | 160 | ○ | — | ◇ | — |
|  | Pent roof type B Pent roof with bent side roof supports, width of outer roof panel max. 1,000 mm, roof depth max. 4,500 mm | 160 | ○ | ◇ | — | — |
|  | Pent roof type C Pent roof with tapered side roof supports, width of outer roof panel max. 1,000 mm, roof depth max. 4,500 mm | 160 | ○ | ◇ | ◇ | ◇ |
|  | Pent roof type G Pent roof with hipped and bevelled sides, with continuous guttering, width of outer roof panel max. 1,000 mm, roof depth max. 4,500 mm | 160 | ○ | — | — | — |
|  | Pent roof type I Pent roof with hipped sides with continuous guttering, width of outer roof panel max. 1,000 mm, roof depth max. 4,500 mm | 160 | ○ | — | — | — |
|  | Pitched roof type L Pitched roof, width max. 6,500 mm, roof depth max. 6,500 mm (observe minimum roof pitch of 5° – 30°) | 160 | ○ | ◇ | ◇ | ◇ |
|  | Pent roof type N Roof plane angled, outer corner always 90°, Hip rafters from 2 individual roof supports with cover plates | 160 | ○ | ◇ | — | ◇ |
|  | Pent roof type R Roof plane angled, inner flute always 90° | 160 | ○ | — | — | — |

○ optional ◇ upon request — unavailable

Terrazza Originale Planning

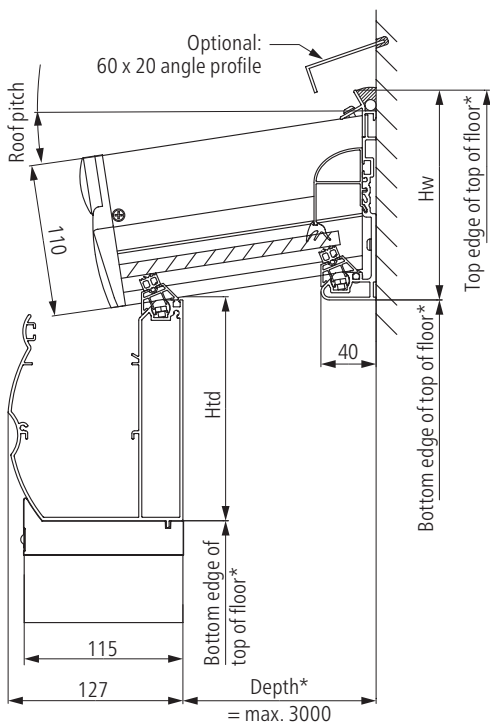
Terrazza Originale

160 guttering – S roof support (max. roof depth 3,000 mm)



Gutter support and wall bracket cross-section

90 post



115 post

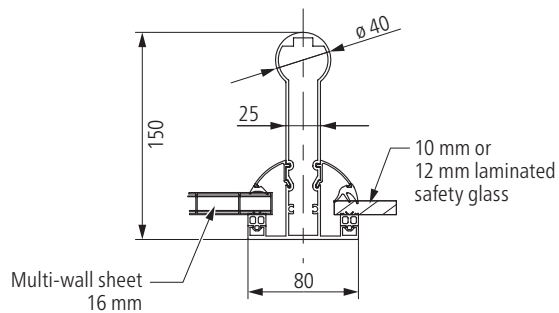
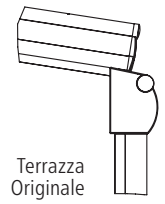
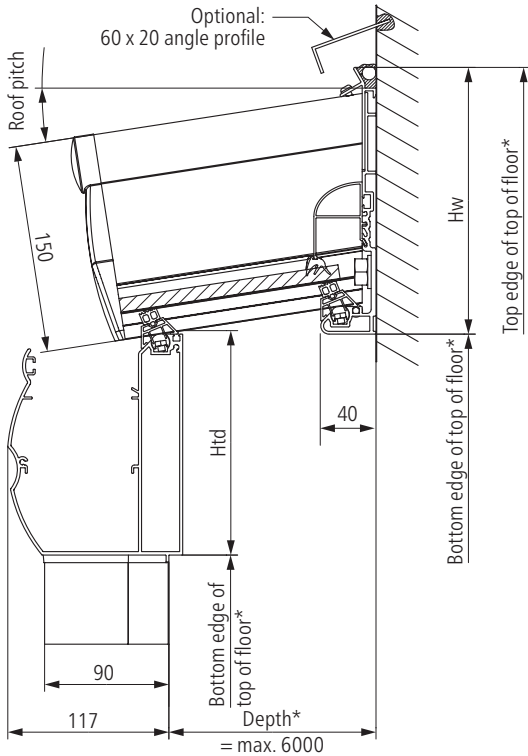
- * Order dimension
- Htd** Trapezium height on the guttering
- Hw** Wall bracket height
- OKFF** Top of floor
- UKd** Bottom of guttering
- UKw** Bottom of wall bracket
- OKw** Top of wall bracket

| Roof pitch to | 5° | 10° | 15° | 20° | 25° | 30° | 35° | 40° | 45° |
|---------------|-----|-----|-----|-----|-----|-----|-----|-----|-----|
| Hw in mm | 152 | 153 | 156 | 159 | 164 | 171 | 180 | 192 | 208 |
| Htd in mm | 161 | 163 | 164 | 166 | 168 | 170 | 172 | 175 | 178 |

Figures are in mm

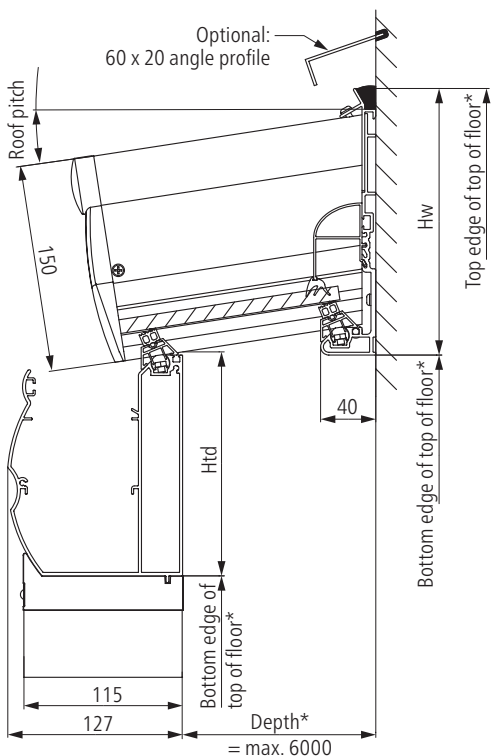
Terrazza Originale

160 guttering – L roof support (max. roof depth 6,000 mm)



Gutter support and wall bracket cross-section

90 post



115 post

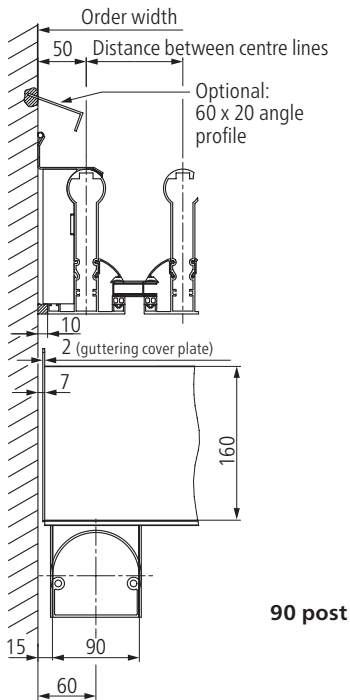
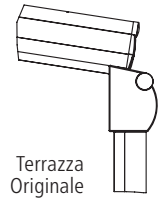
- * Order dimension
- Htd** Trapezium height on the guttering
- Hw** Wall bracket height
- OKFF** Top of floor
- UKd** Bottom of guttering
- UKw** Bottom of wall bracket
- OKw** Top of wall bracket

| Roof pitch to | 5° | 10° | 15° | 20° | 25° | 30° | 35° | 40° | 45° |
|---------------|-----|-----|-----|-----|-----|-----|-----|-----|-----|
| Hw in mm | 192 | 194 | 197 | 202 | 208 | 217 | 229 | 245 | 264 |
| Htd in mm | 161 | 163 | 164 | 166 | 168 | 170 | 172 | 175 | 178 |

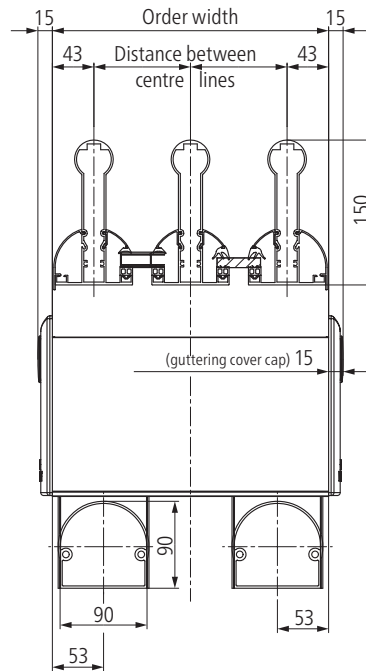
Terrazza Originale

160 guttering – L roof support with and without side wall bracket

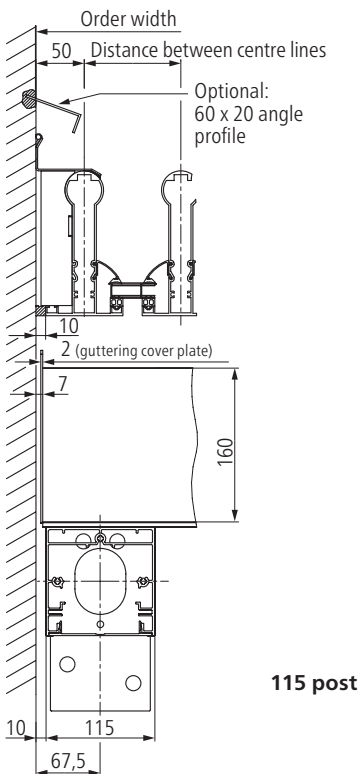
Vertical section through the roof support profiles with distances between centre lines and widths (dimensions also valid for S type roof support)



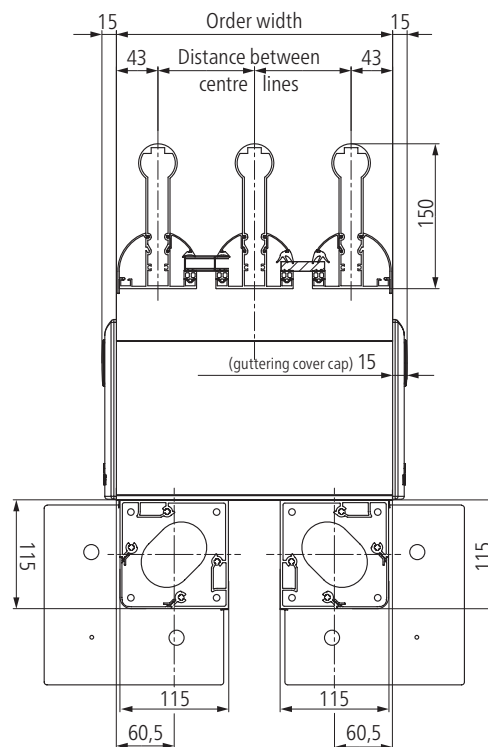
Gutter and post position on the wall



Gutter and post position, free-standing



Gutter and post position on the wall



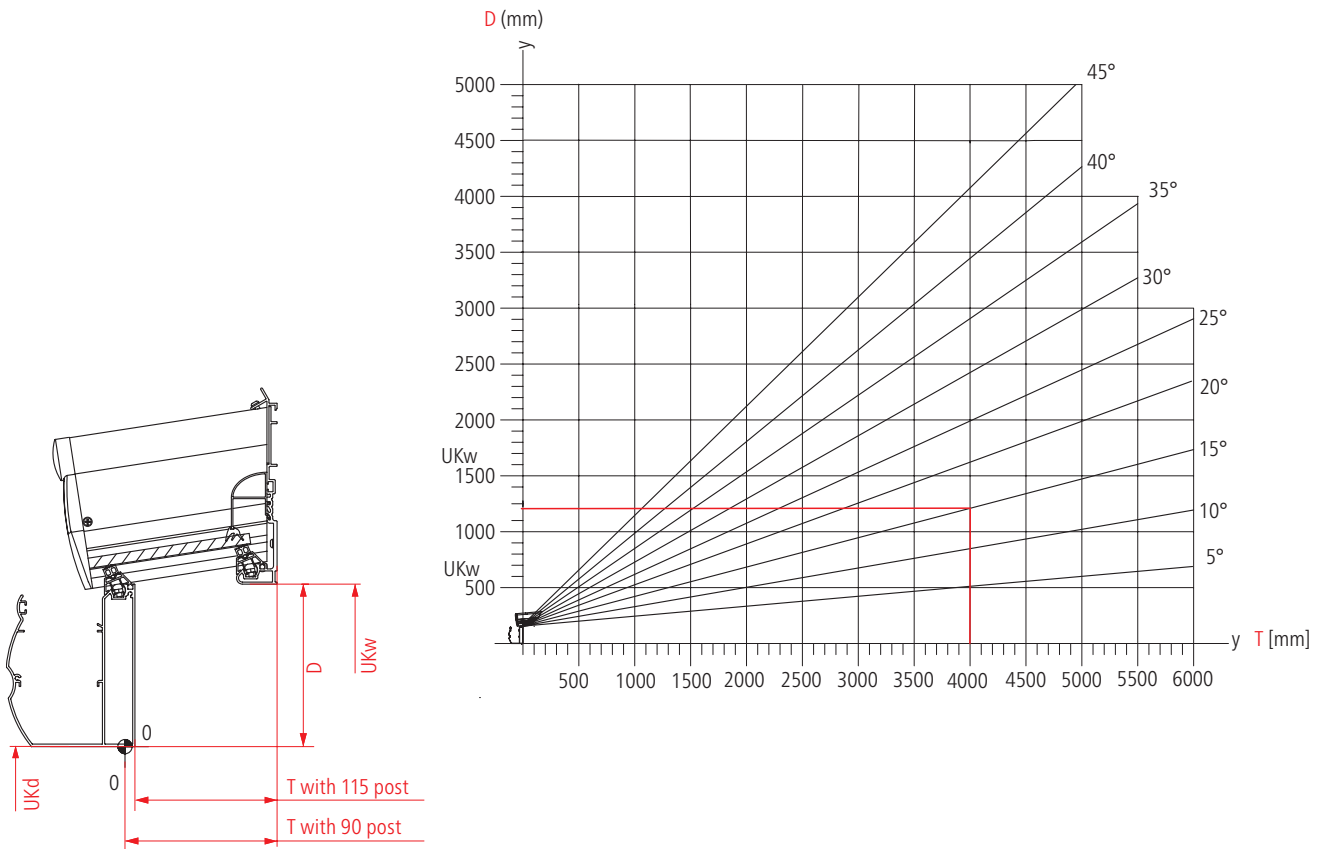
Gutter and post position, free-standing

Terrazza Originale

Determining the distance between bottom edge of guttering to bottom edge of wall bracket

| Roof depth T (mm) | 1000 | 1250 | 1500 | 1750 | 2000 | 2250 | 2500 | 2750 | 3000 | 3250 | 3500 | 3750 | 4000 | 4250 | 4500 | 4750 | 5000 | 5250 | 5500 | 5750 | 6000 |
|-------------------|------|------|------|------|------|------|------|------|------|------|------|------|------|------|------|------|------|------|------|------|------|
| 90 post | | | | | | | | | | | | | | | | | | | | | |
| Roof pitch 5° | 226 | 248 | 269 | 291 | 313 | 335 | 357 | 379 | 401 | 423 | 444 | 466 | 488 | 510 | 532 | 554 | 576 | 598 | 619 | 641 | 663 |
| Roof pitch 15° | 403 | 470 | 537 | 604 | 671 | 738 | 805 | 872 | 939 | 1005 | 1072 | 1139 | 1206 | 1273 | 1340 | 1407 | 1474 | 1541 | 1608 | 1675 | 1742 |
| 115 post | | | | | | | | | | | | | | | | | | | | | |
| Roof pitch 5° | 227 | 248 | 270 | 292 | 314 | 336 | 358 | 380 | 402 | 423 | 445 | 467 | 489 | 511 | 533 | 555 | 577 | 598 | 620 | 642 | 664 |
| Roof pitch 15° | 405 | 472 | 539 | 606 | 673 | 740 | 807 | 874 | 941 | 1008 | 1075 | 1142 | 1209 | 1276 | 1343 | 1410 | 1477 | 1544 | 1611 | 1678 | 1745 |

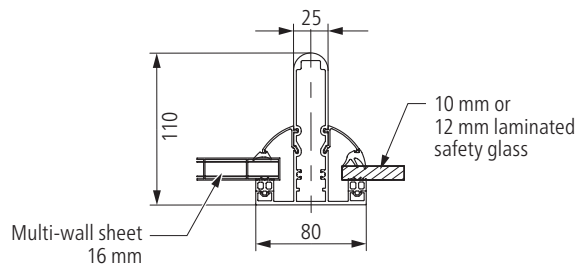
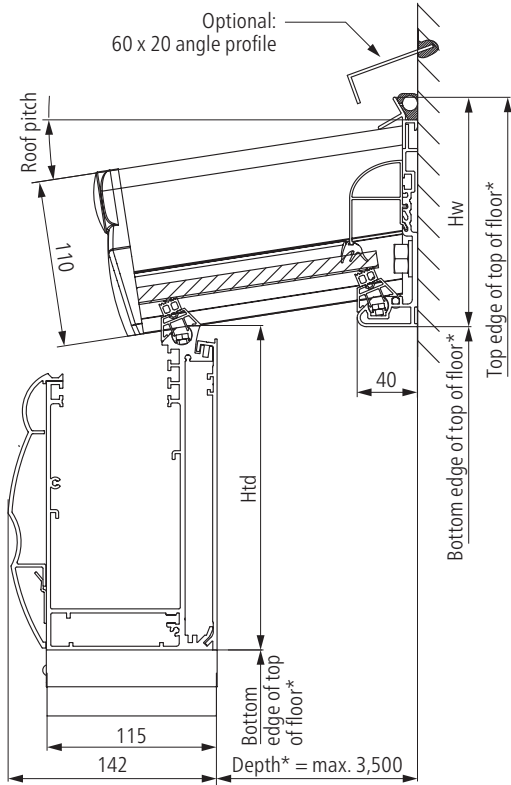
Distance D (between UKw and UKd)



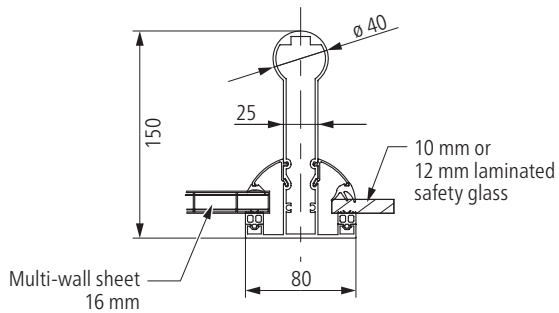
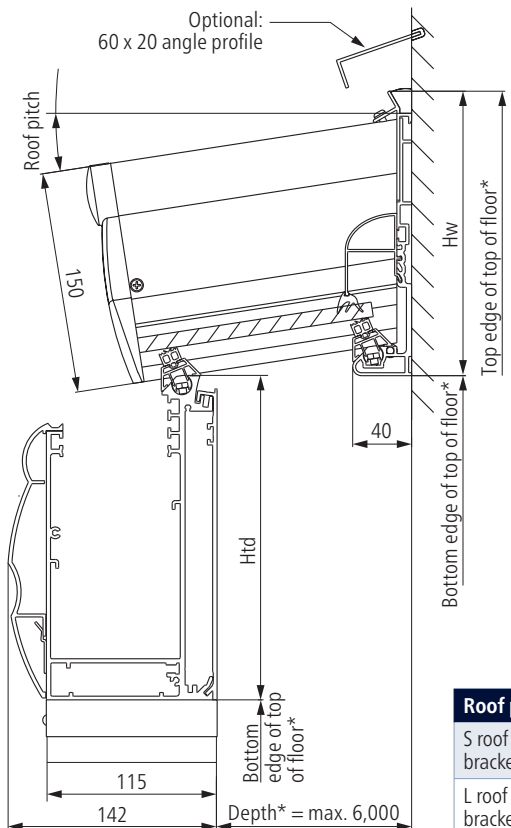
Terrazza Originale Planning

Terrazza Originale

220 guttering – S roof support (max. roof depth 3,500 mm)



220 guttering – L roof support (max. roof depth 6,000 mm)

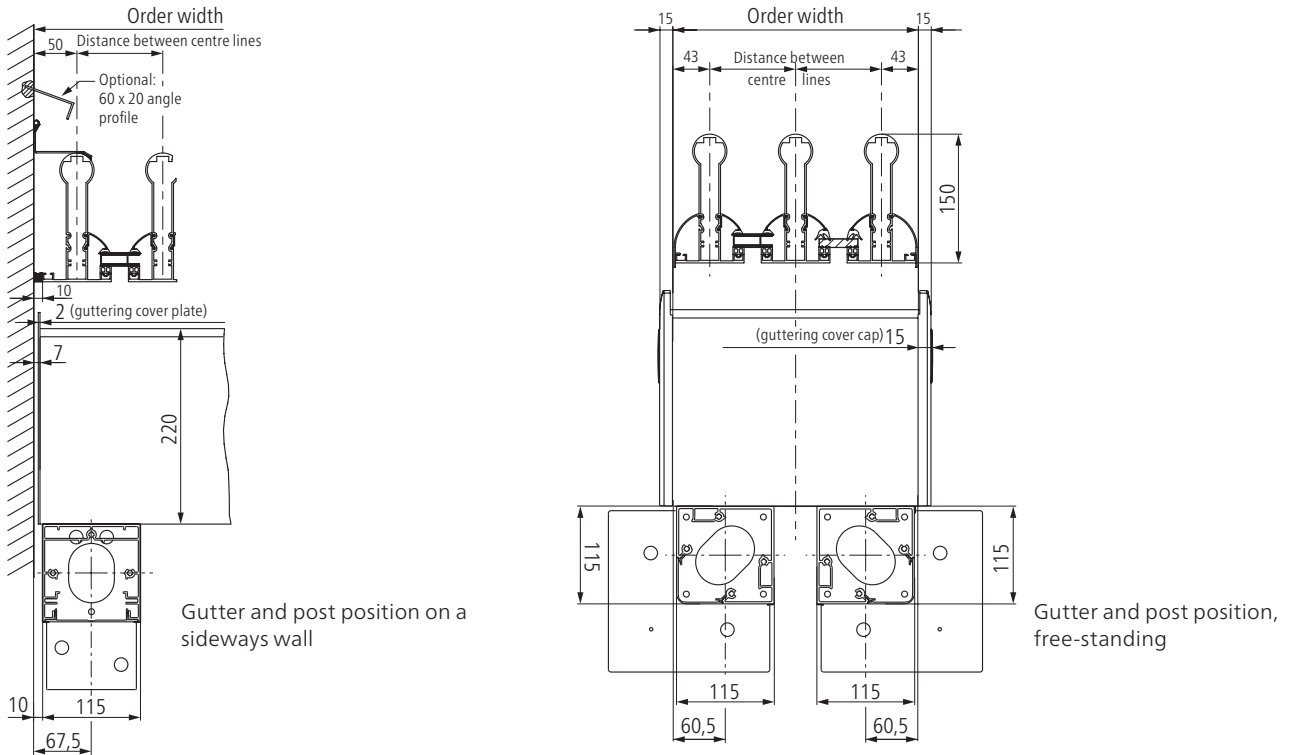


- * Order dimension
- Htd** Trapezium height on the guttering
- Hw** Wall bracket height
- OKFF** Top of floor
- UKd** Bottom of guttering
- UKw** Bottom of wall bracket
- OKw** Top of wall bracket

| Roof pitch to | 5° | 10° | 15° | 20° | 25° | 30° | 35° | 40° | 45° |
|--|-----|-----|-----|-----|-----|-----|-----|-----|-----|
| S roof support wall bracket height in mm | 152 | 153 | 156 | 159 | 164 | 171 | 180 | 192 | 208 |
| L roof support wall bracket height in mm | 192 | 194 | 197 | 202 | 208 | 217 | 229 | 245 | 264 |
| Htd in mm | 221 | 223 | 224 | 226 | 228 | 230 | 232 | 235 | 238 |

Terrazza Originale

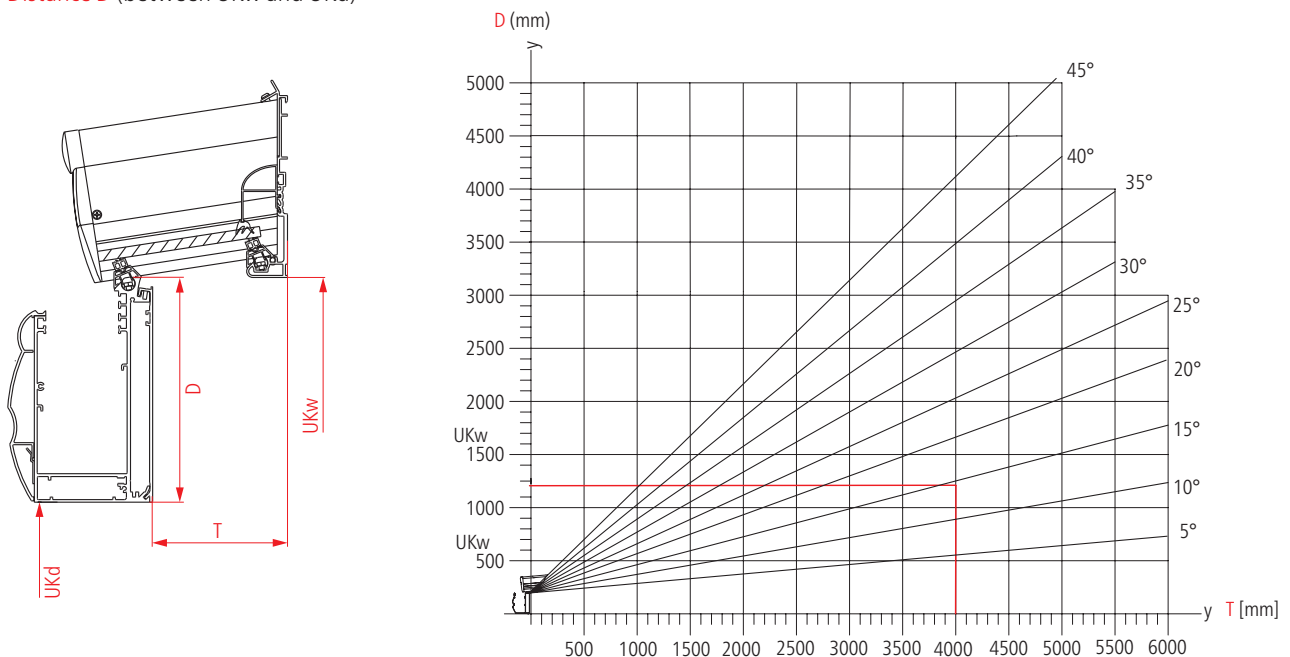
220 guttering – L roof support with and without side wall bracket



Determining the distance between bottom edge of guttering to bottom edge of wall bracket

| Roof depth T (mm) | 1000 | 1250 | 1500 | 1750 | 2000 | 2250 | 2500 | 2750 | 3000 | 3250 | 3500 | 3750 | 4000 | 4250 | 4500 | 4750 | 5000 | 5250 | 5500 | 5750 | 6000 |
|---------------------------------|------|------|------|------|------|------|------|------|------|------|------|------|------|------|------|------|------|------|------|------|------|
| 115 post (220 guttering) | | | | | | | | | | | | | | | | | | | | | |
| Roof pitch 5° | 287 | 308 | 330 | 353 | 374 | 396 | 418 | 440 | 462 | 483 | 505 | 527 | 549 | 571 | 593 | 615 | 637 | 658 | 680 | 702 | 724 |
| Roof pitch 15° | 465 | 532 | 599 | 666 | 733 | 800 | 867 | 934 | 1001 | 1068 | 1135 | 1202 | 1269 | 1336 | 1403 | 1470 | 1537 | 1604 | 1671 | 1738 | 1805 |

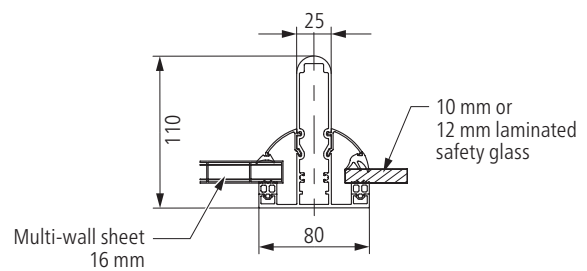
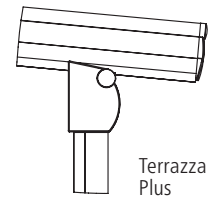
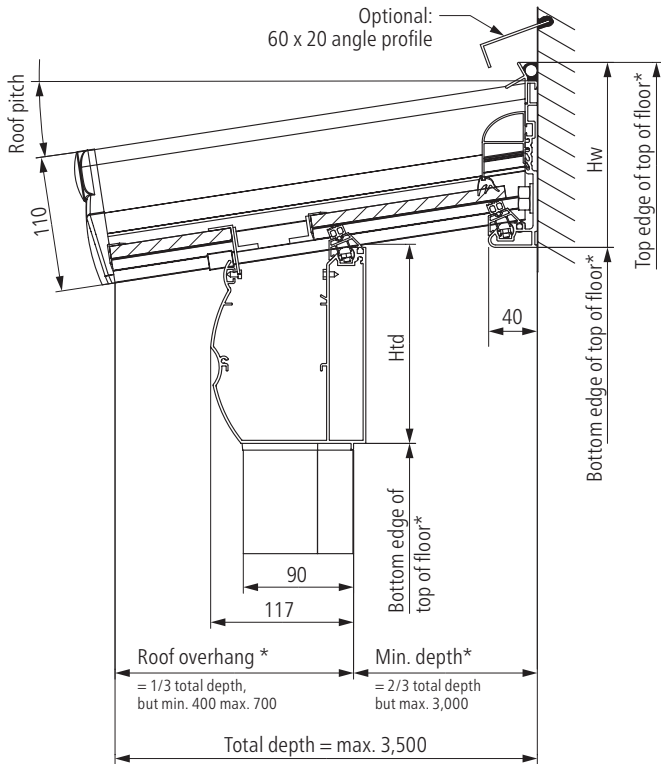
Distance D (between UKw and UKd)



Terrazza Plus Planning

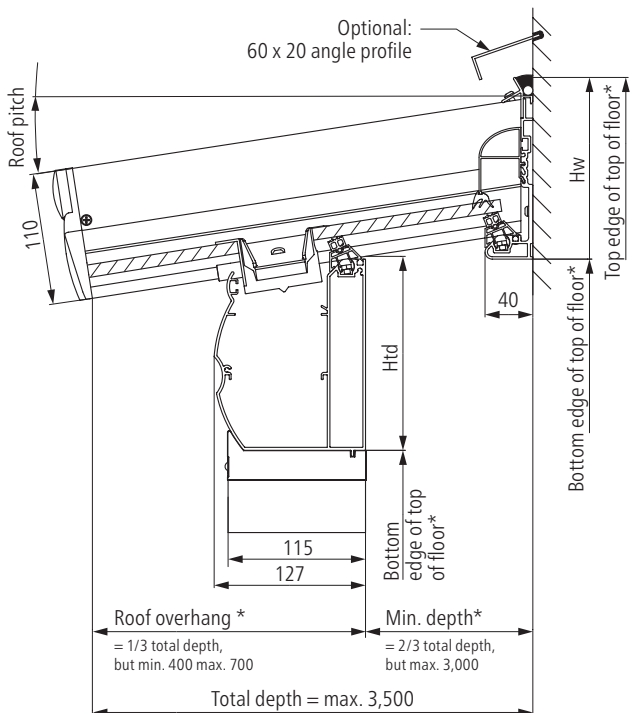
Terrazza Plus

160 guttering – S roof support (max. roof depth 3,500 mm)



Gutter support and wall bracket cross-section

90 post



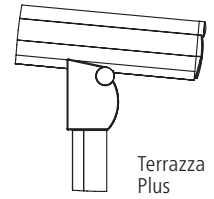
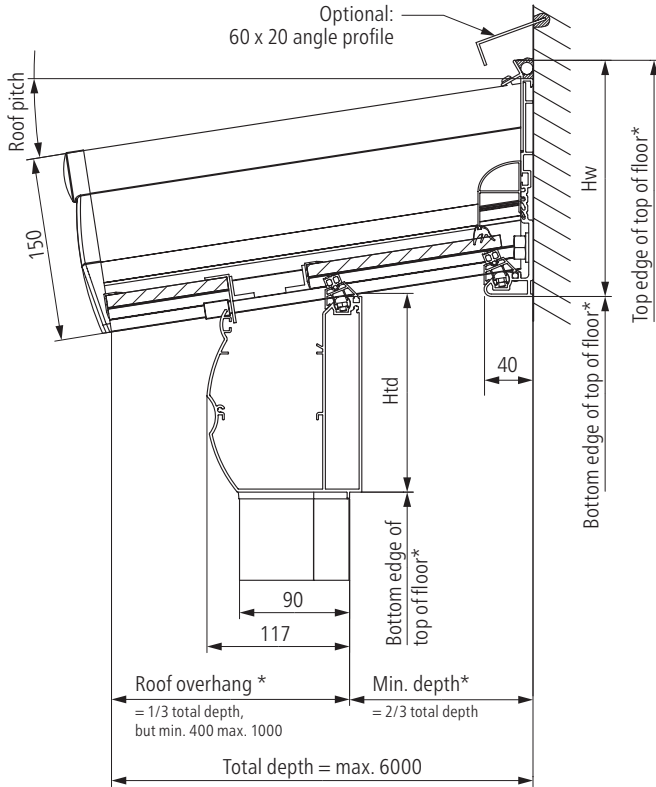
115 post

- * Order dimension
- Htd** Trapezium height on the guttering
- Hw** Wall bracket height
- OKFF** Top of floor
- UKd** Bottom of guttering
- UKw** Bottom of wall bracket
- OKw** Top of wall bracket

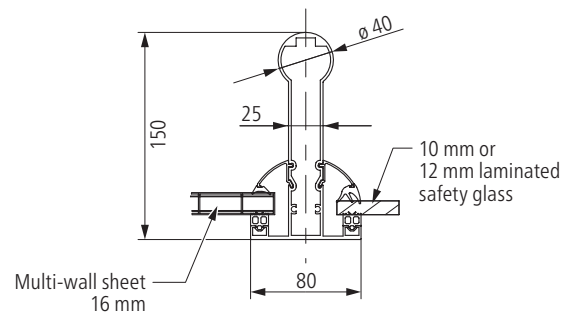
| Roof pitch to | 5° | 10° | 15° |
|---------------|-----|-----|-----|
| Hw in mm | 152 | 153 | 156 |
| Htd in mm | 161 | 163 | 164 |

Terrazza Plus

160 guttering – L roof support (max. roof depth 6,000 mm)

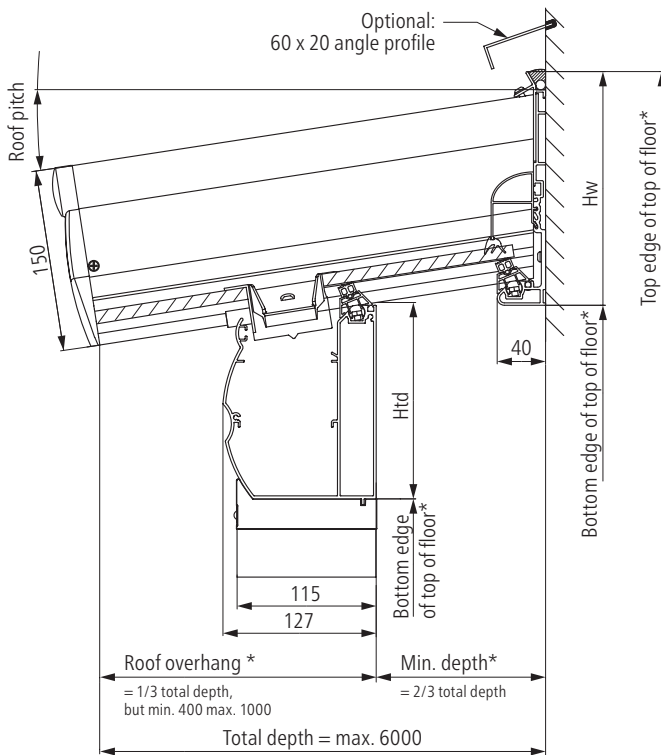


Terrazza Plus



Gutter support and wall bracket cross-section

90 post



115 post

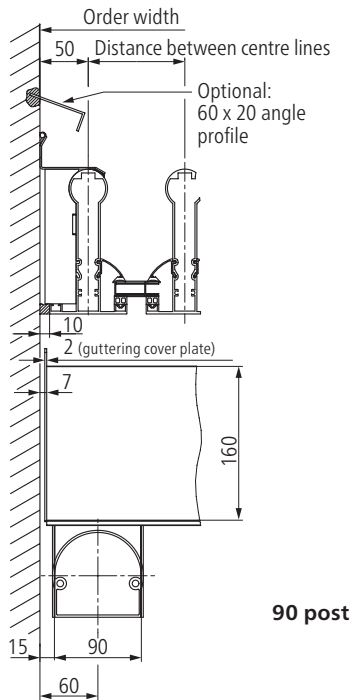
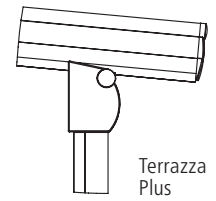
- * Order dimension
- Htd** Trapezium height on the guttering
- Hw** Wall bracket height
- OKFF** Top of floor
- UKd** Bottom of guttering
- UKw** Bottom of wall bracket
- OKw** Top of wall bracket

| Roof pitch to | 5° | 10° | 15° |
|---------------|-----|-----|-----|
| Hw in mm | 192 | 194 | 197 |
| Htd in mm | 161 | 163 | 164 |

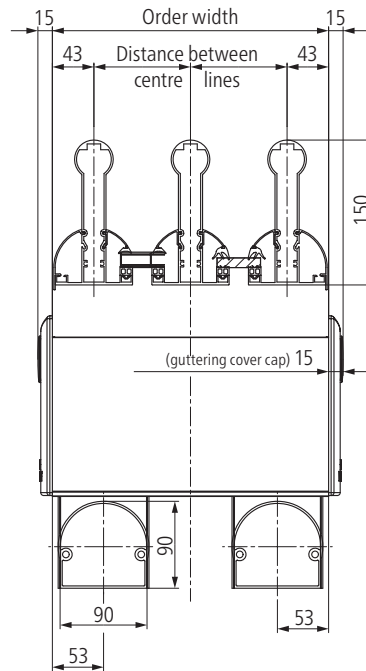
Terrazza Plus

160 guttering – L roof support with and without side wall bracket

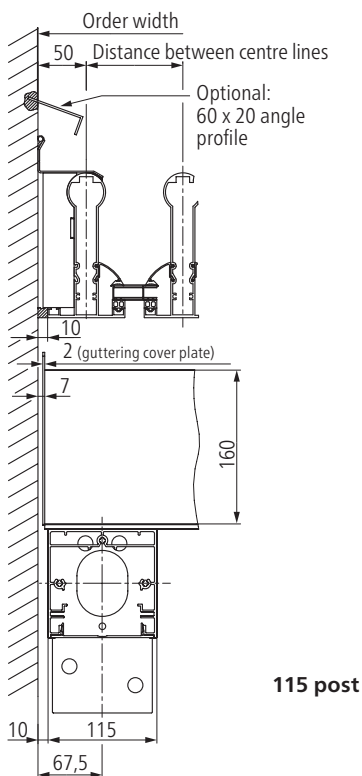
Vertical section through the roof support profiles with distances between centre lines and widths (dimensions also valid for type S roof support)



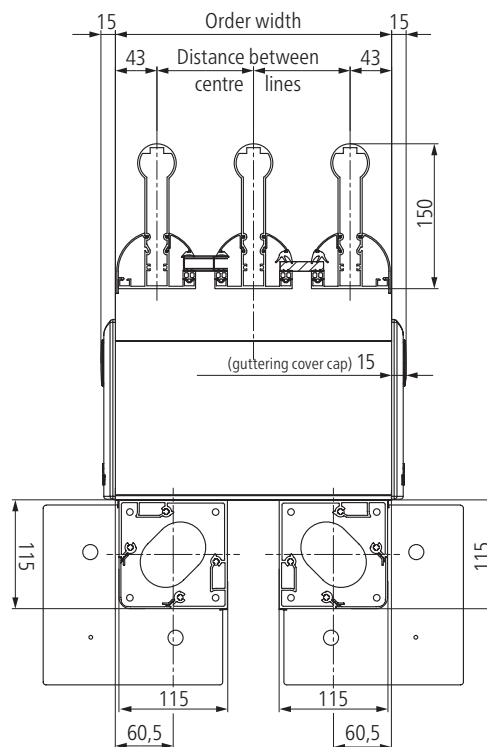
Gutter and post position on the wall



Gutter and post position, free-standing



Gutter and post position on the wall



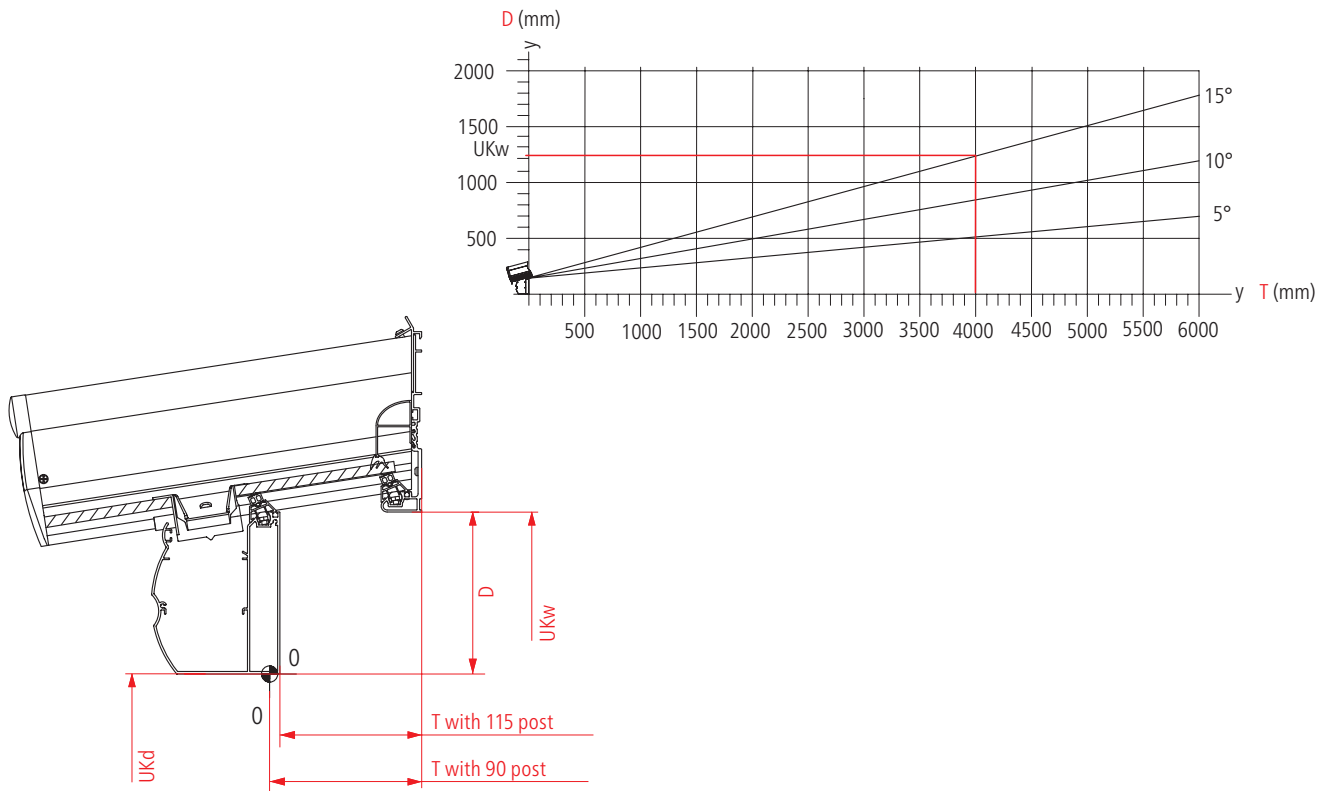
Gutter and post position, free-standing

Terrazza Plus

Determining the distance between bottom edge of guttering to bottom edge of wall bracket

| Roof depth T (mm) | 1000 | 1250 | 1500 | 1750 | 2000 | 2250 | 2500 | 2750 | 3000 | 3250 | 3500 | 3750 | 4000 | 4250 | 4500 | 4750 | 5000 | 5250 | 5500 | 5750 | 6000 |
|-------------------|------|------|------|------|------|------|------|------|------|------|------|------|------|------|------|------|------|------|------|------|------|
| 90 post | | | | | | | | | | | | | | | | | | | | | |
| Roof pitch 5° | 226 | 248 | 269 | 291 | 313 | 335 | 357 | 379 | 401 | 423 | 444 | 466 | 488 | 510 | 532 | 554 | 576 | 598 | 619 | 641 | 663 |
| Roof pitch 15° | 403 | 470 | 537 | 604 | 671 | 738 | 805 | 872 | 939 | 1005 | 1072 | 1139 | 1206 | 1273 | 1340 | 1407 | 1474 | 1541 | 1608 | 1675 | 1742 |
| 115 post | | | | | | | | | | | | | | | | | | | | | |
| Roof pitch 5° | 227 | 248 | 270 | 292 | 314 | 336 | 358 | 380 | 402 | 423 | 445 | 467 | 489 | 511 | 533 | 555 | 577 | 598 | 620 | 642 | 664 |
| Roof pitch 15° | 405 | 472 | 539 | 606 | 673 | 740 | 807 | 874 | 941 | 1008 | 1075 | 1142 | 1209 | 1276 | 1343 | 1410 | 1477 | 1544 | 1611 | 1678 | 1745 |

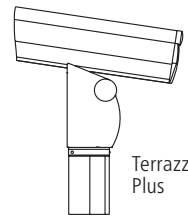
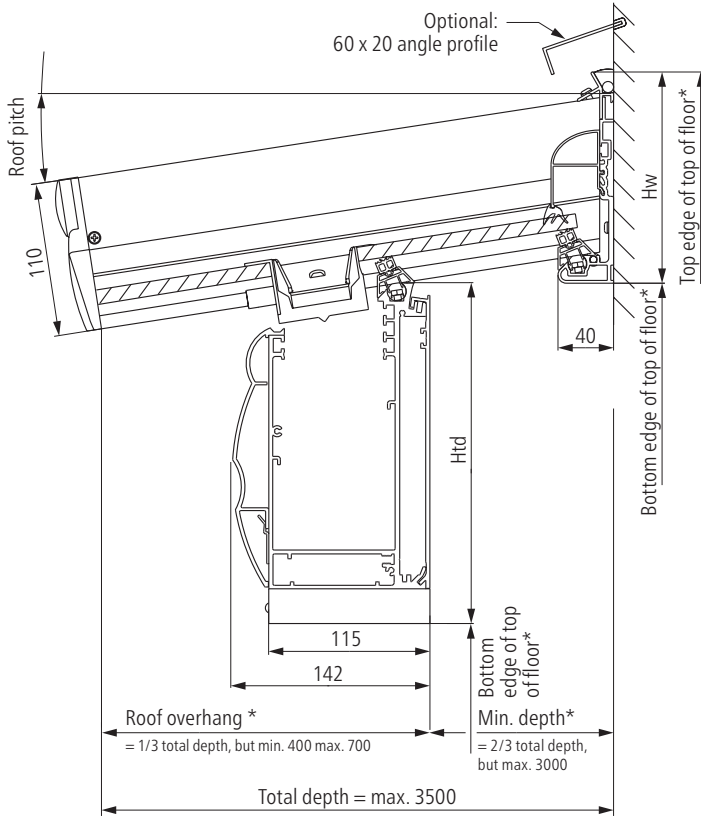
Distance D (between UKw and UKd)



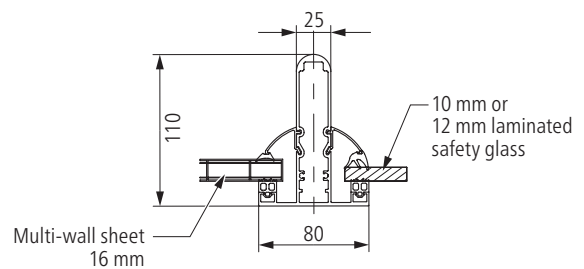
Terrazza Plus Planning

Terrazza Plus

220 guttering – S roof support (max. roof depth 3,500 mm)

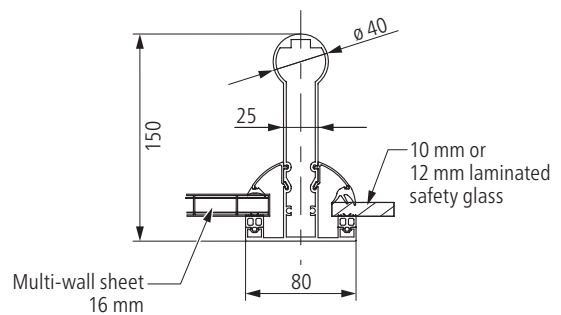
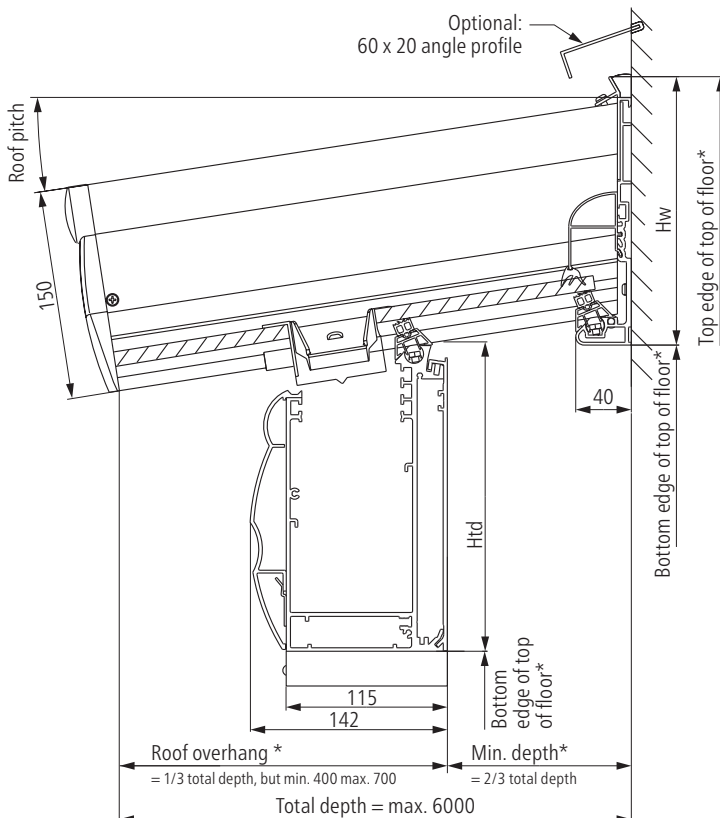


Terrazza 220 Plus



Gutter support and wall bracket cross-section

220 guttering – L roof support (max. roof depth 6,000 mm)



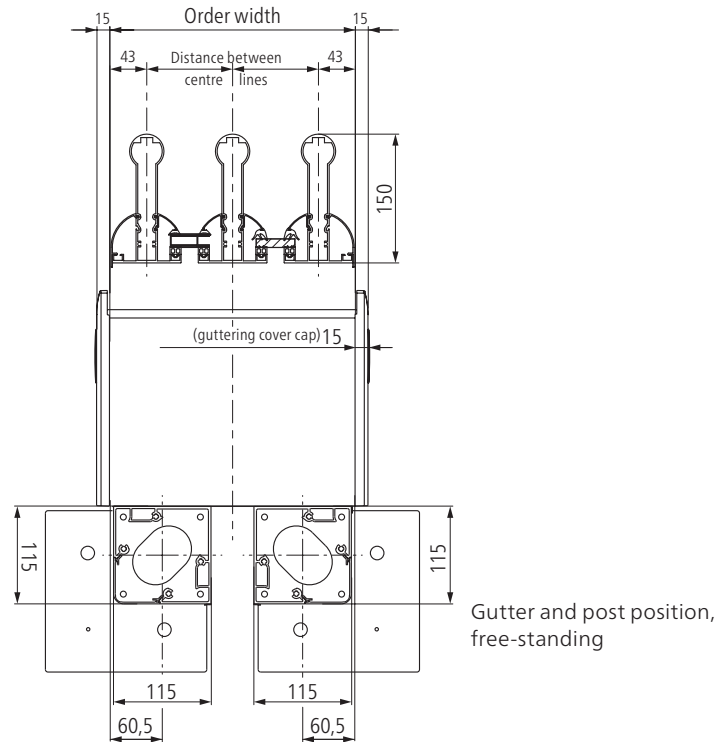
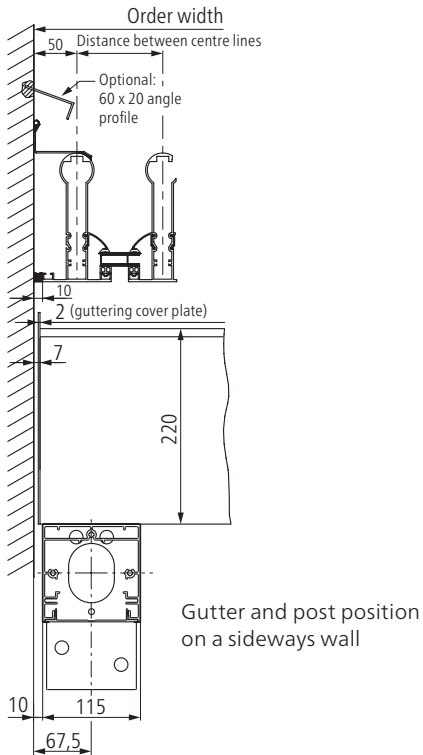
Gutter support and wall bracket cross-section

- * Order dimension
- Htd** Trapezium height on the guttering
- Hw** Wall bracket height
- OKFF** Top of floor
- UKd** Bottom of guttering
- UKw** Bottom of wall bracket
- OKw** Top of wall bracket

| Roof pitch to | 5° | 10° | 15° |
|---------------|-----|-----|-----|
| Hw in mm | 152 | 153 | 156 |
| Htd in mm | 221 | 223 | 224 |

Terrazza Plus

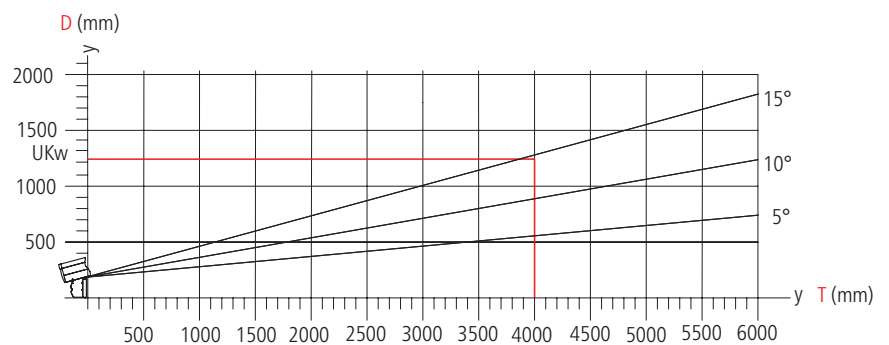
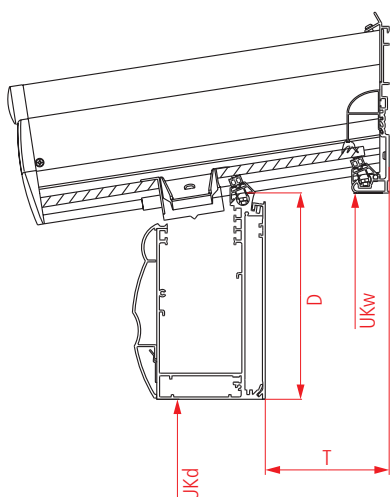
220 guttering – L roof support with and without side wall bracket



Determining the distance between bottom edge of guttering to bottom edge of wall bracket

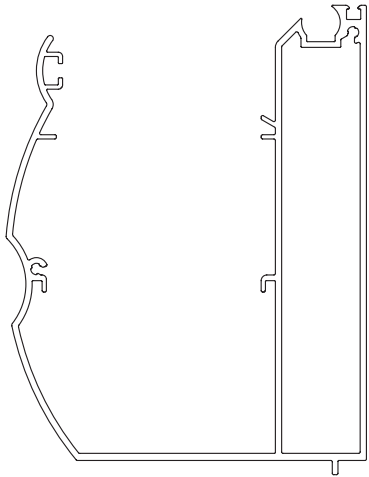
| Roof depth T (mm) | 1000 | 1250 | 1500 | 1750 | 2000 | 2250 | 2500 | 2750 | 3000 | 3250 | 3500 | 3750 | 4000 | 4250 | 4500 | 4750 | 5000 | 5250 | 5500 | 5750 | 6000 |
|--------------------------|------|------|------|------|------|------|------|------|------|------|------|------|------|------|------|------|------|------|------|------|------|
| 115 post (220 guttering) | | | | | | | | | | | | | | | | | | | | | |
| Roof pitch 5° | 287 | 308 | 330 | 353 | 374 | 396 | 418 | 440 | 462 | 483 | 505 | 527 | 549 | 571 | 593 | 615 | 637 | 658 | 680 | 702 | 724 |
| Roof pitch 15° | 465 | 532 | 599 | 666 | 733 | 800 | 867 | 934 | 1001 | 1068 | 1135 | 1202 | 1269 | 1336 | 1403 | 1470 | 1537 | 1604 | 1671 | 1738 | 1805 |

Distance D (between UKw and UKd)

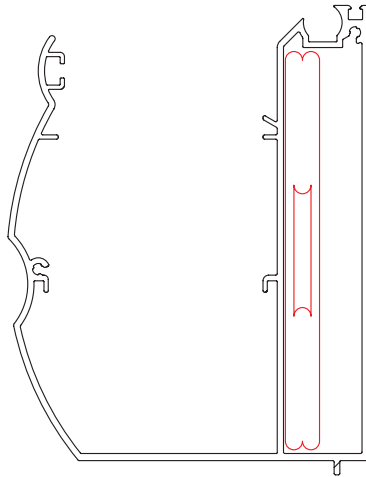


Guttering steel reinforcement bar

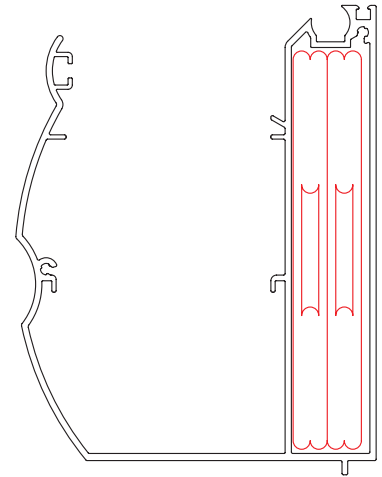
160 guttering – steel reinforcement bar



Without steel reinforcement bar



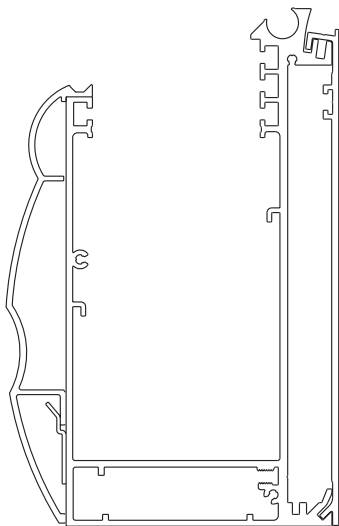
1 x 140 steel reinforcement bar



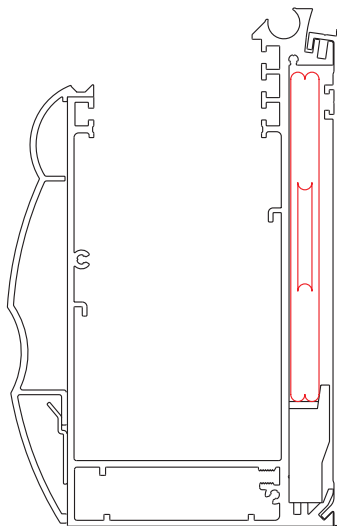
2 x 140 steel reinforcement bars

| Guttering weight – 160 guttering | excluding steel | 1 x 140 steel | 2 x 140 steel |
|----------------------------------|-----------------|---------------|---------------|
| kg/m (without side cover caps) | 4.0 | 15.0 | 26.0 |

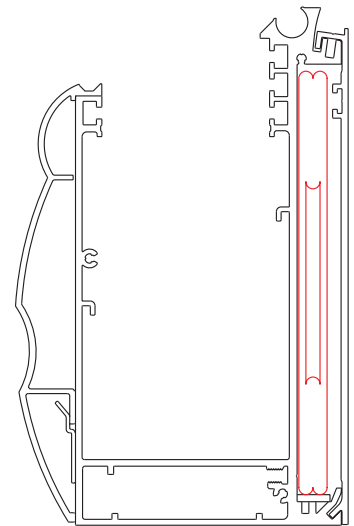
220 guttering – steel reinforcement bar



Without steel reinforcement bar



1 x 140 steel reinforcement bar



2 x 140 steel reinforcement bars

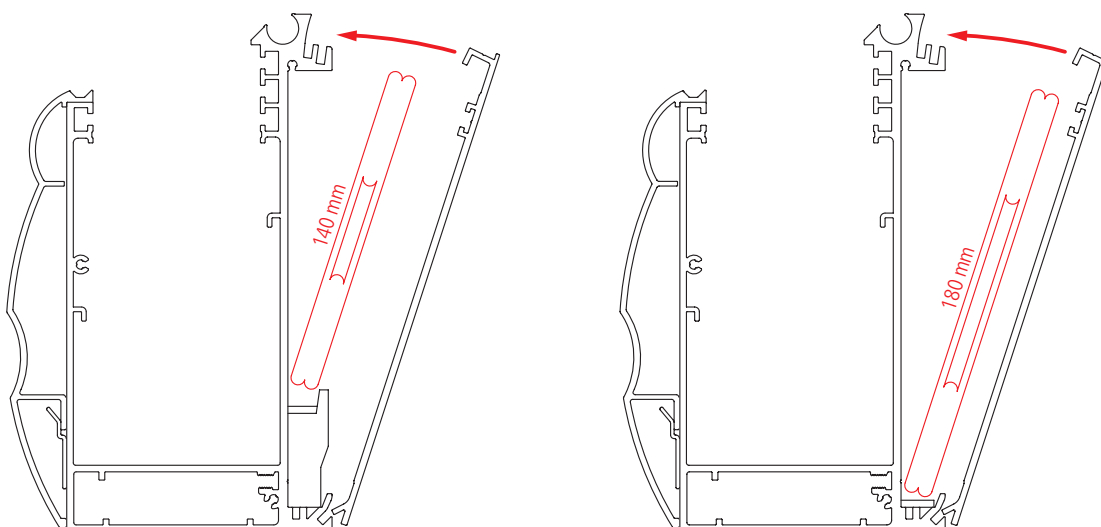
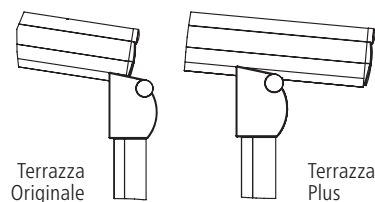
| Guttering weight – 220 guttering | excluding steel | 1 x 140 steel | 1 x 180 steel |
|----------------------------------|-----------------|---------------|---------------|
| kg/m (without side cover caps) | 6.5 | 17.5 | 19.5 |

The maximum spans depend on the roof depth and required snow load. You can find the details about this in the current weinor Terrazza price list.

Guttering steel reinforcement bar

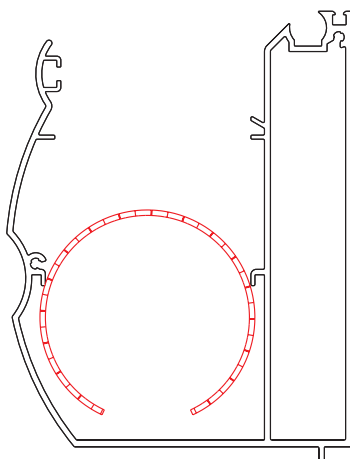
Special feature: and only from weinor!

The steel reinforcement bar and roof gutter profile can be ordered separately. Thanks to the removable back of the 220 guttering, the 140 and 180 mm steel reinforcement bar can be inserted into the gutter from the back afterwards. This significantly reduces the weight for transport and installation.

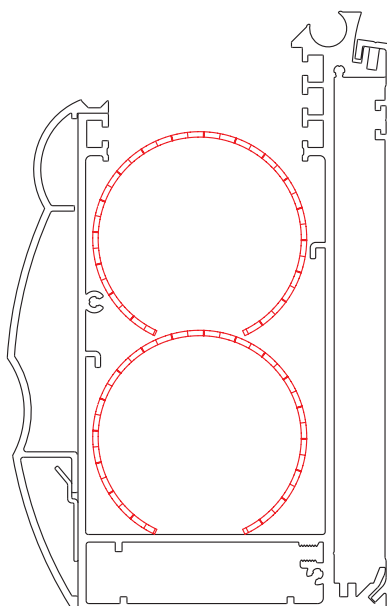


| Weight (kg/m) | 220 guttering | 140 steel | 180 steel |
|-------------------|---------------|-----------|-----------|
| Individual weight | 6.5 | 11.0 | 13.0 |

Guttering protective leaf grill



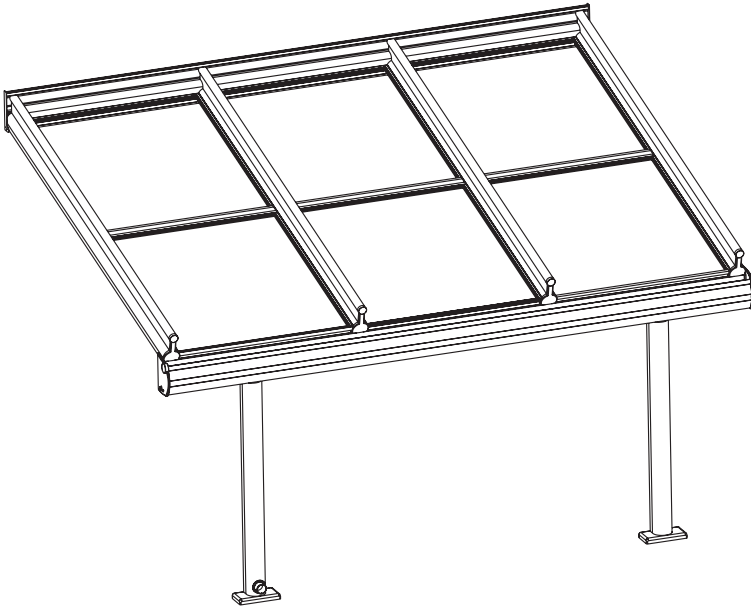
160 guttering protective leaf grill



220 guttering protective leaf grill

Variable post positions

Terrazza Originale with indented posts



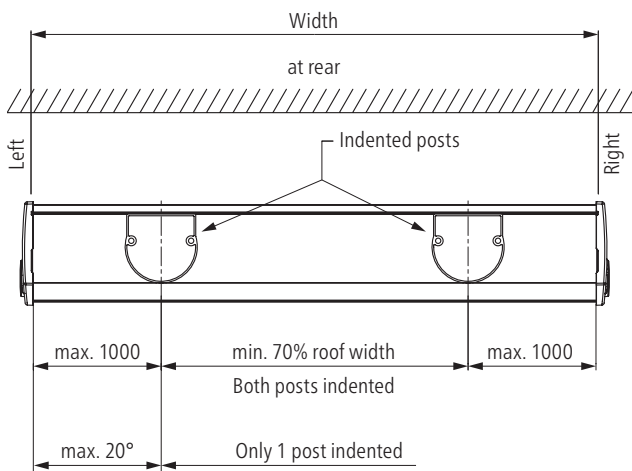
If the outer posts are indented, the centre post can be omitted for certain roof dimensions. Additional steel reinforcement bars in the guttering or the crossbeam also permit the number of posts and spacings to be changed.

Flexible reactions to structural situations that call for the variable positioning of the posts are also possible.

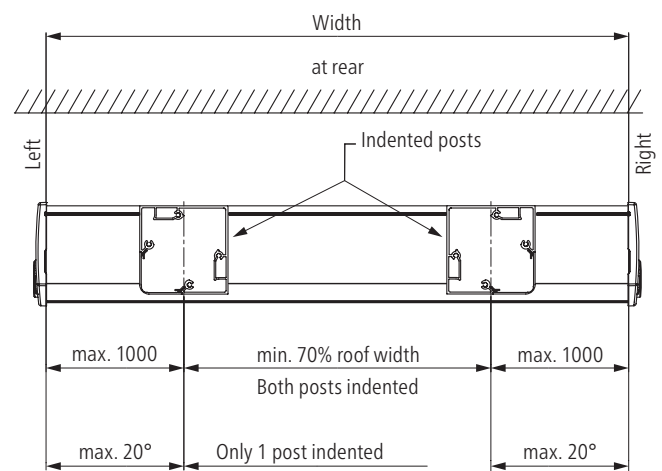
Roof overhang *
= 1/3 total depth, but min. 400 max. 700

Maximal indent dimension of the posts

View from below



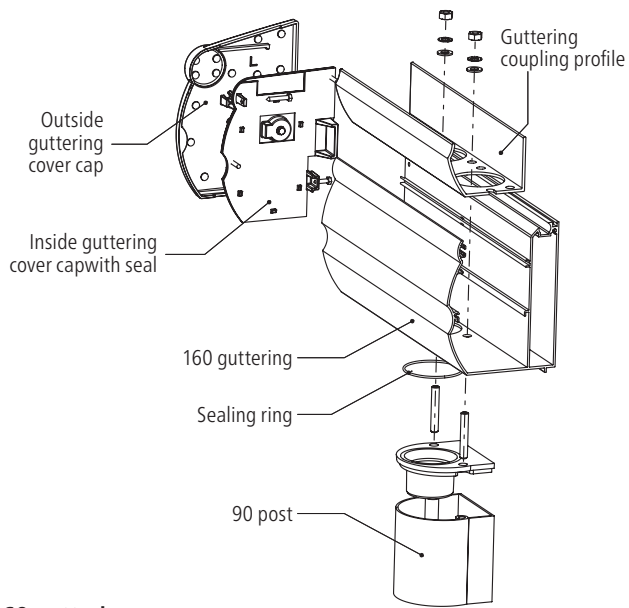
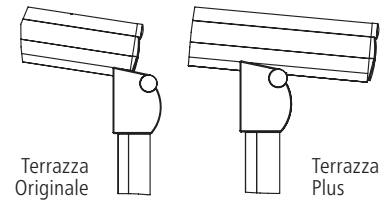
View from below



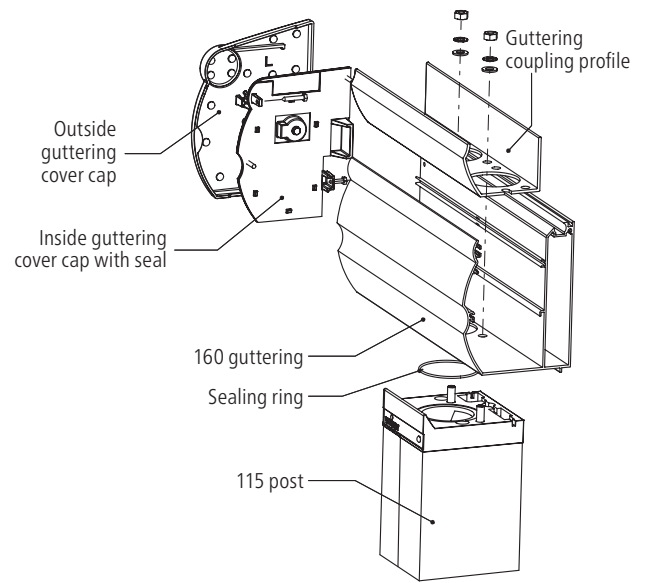
The maximum spacing between the posts can be increased via steel inserts in the guttering. Caution, this can increase the weight of the rain gutter. As snow loads increase, the maximum post spacings reduce accordingly.

Variable post positions

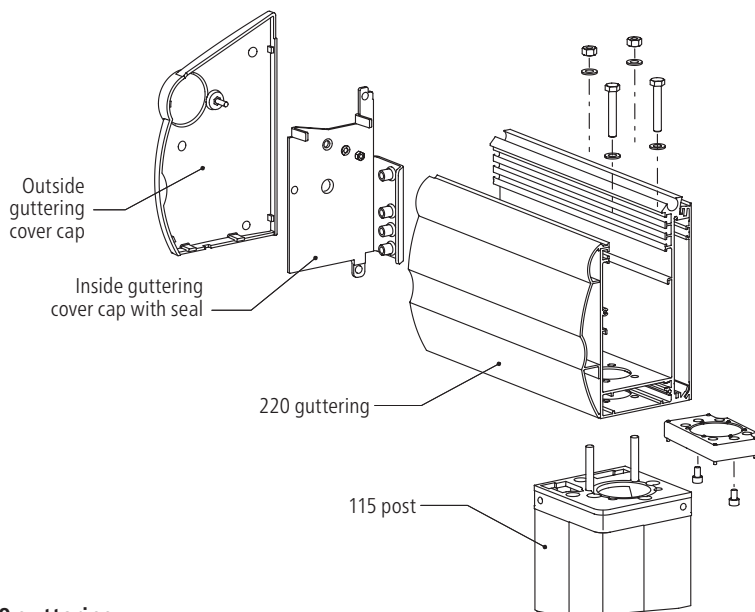
Posts on guttering/crossbeam for Terrazza Originale and Terrazza Plus



160 guttering



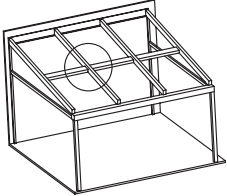
160 guttering



220 guttering

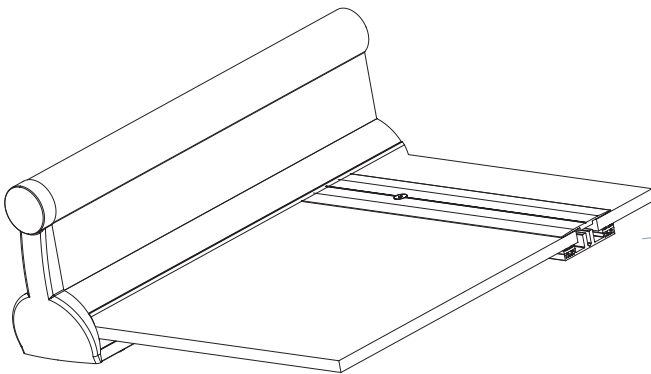
Transoms and roof vents

Transoms in the roof area

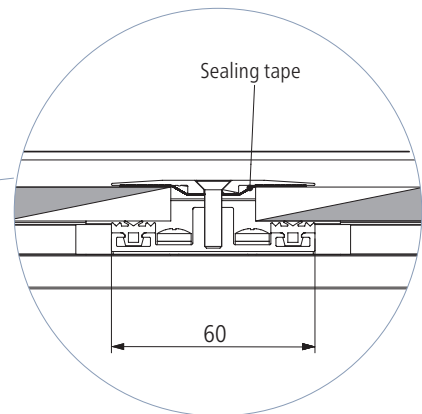


From a pane length of 3,000 mm, it is advisable to split the roof glazing by means of a rigid transom.

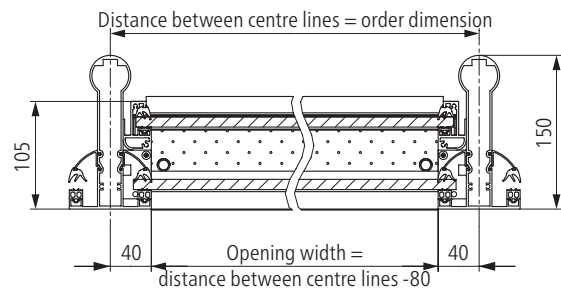
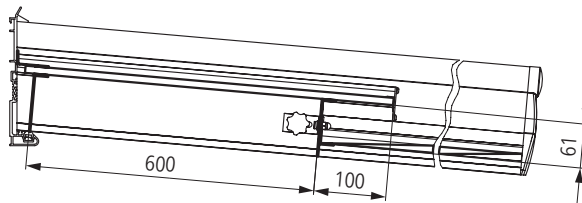
The transom in the roof also stiffens the construction, hence improving its structural stability. This is relevant, for example, when using vertical all-glass elements, such as glass doors or side parts.



Roof support with ready-mounted transom



WeiTop DL permanent roof vent



A clever solution: the two offset glass panels of the WeiTop DL permanent roof vent ensure permanent ventilation and hence an agreeable climate.

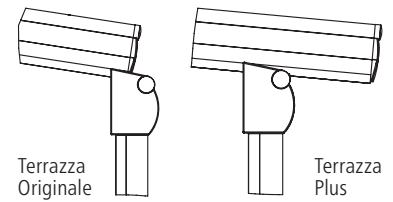
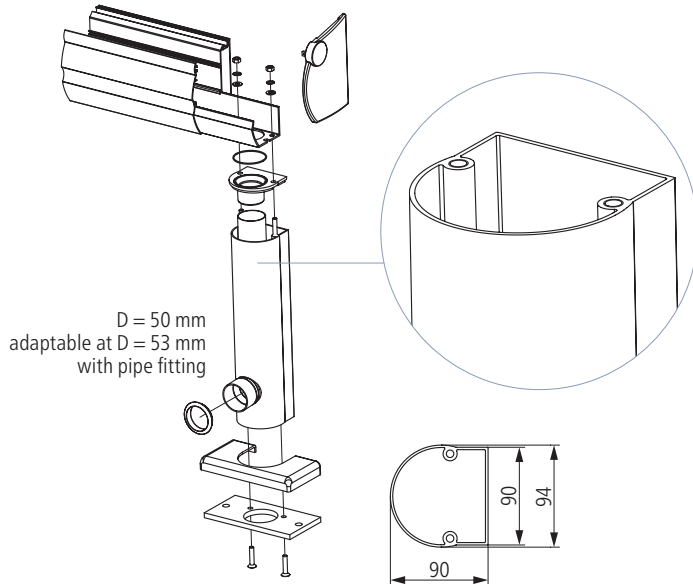
The benefits

- Transparent all-glass solution for an elegant look
- Always powder-coated in roof colour
- Pre-equipped for the specified roof covering thickness (10, 12 and 16 mm)
- Optional insect screen or winter faceplate for manual assembly

Terrazza Originale | Plus Posts

Drain and posts

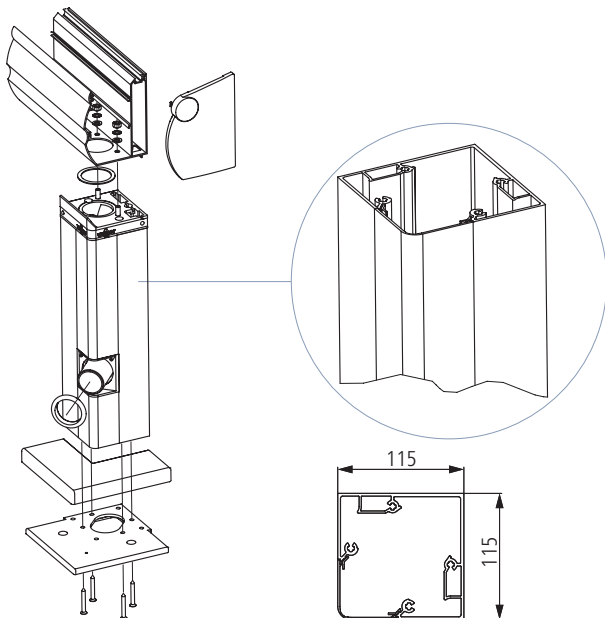
90 post



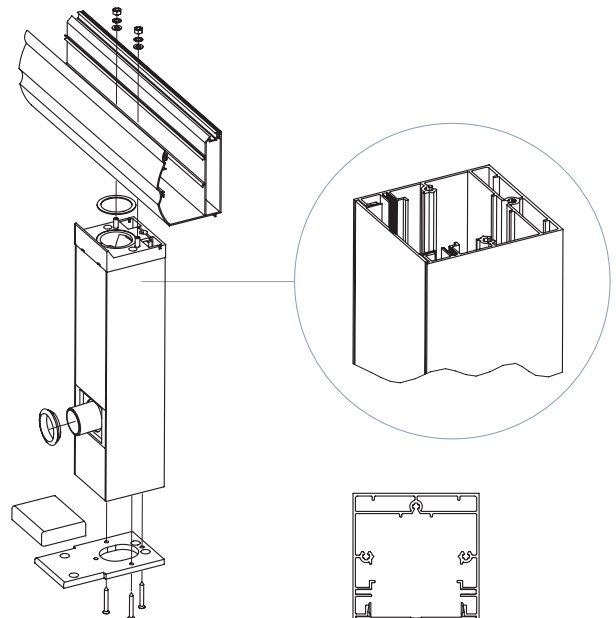
Invisibly integrated downspout

Rainwater is discretely and systematically drained away through the integrated water drain. The downspout is invisibly integrated into one of the posts. The drain can also be purposefully fed through a post plate, if used.

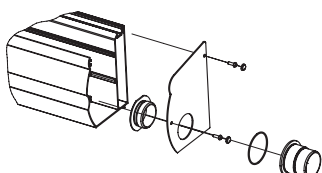
Outside 115 post



115 centre/wall post



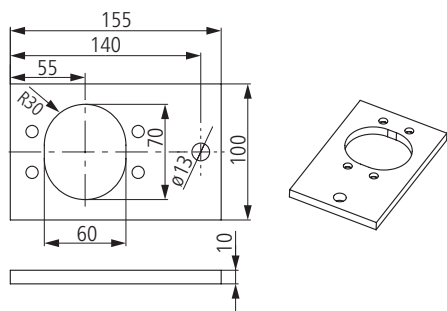
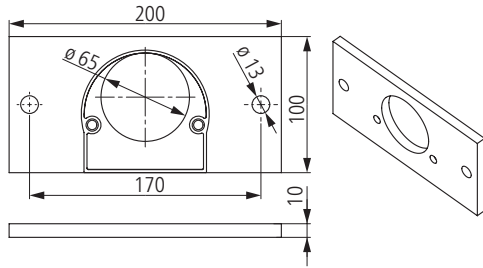
Sideways guttering drain (optional)



Drain on the side of the 160 and 220 guttering incl. cover plate and screw sockets (made of aluminium and powder-coated in same colour as roof)

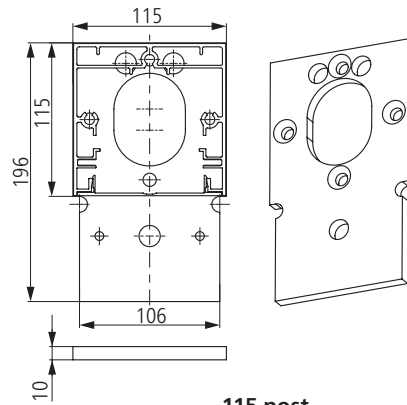
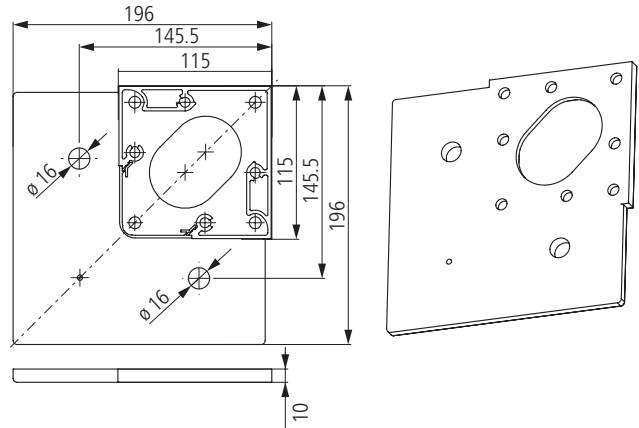
Post plates

Post plate for fixing to the foundation



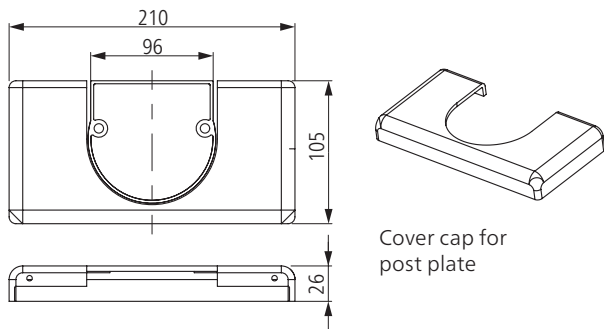
Post plate on wall

90 post

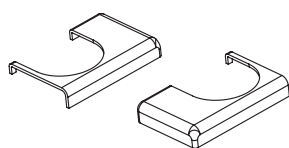


115 post

Cover cap on post plate for fixing to the foundation and for covering the attachment screws

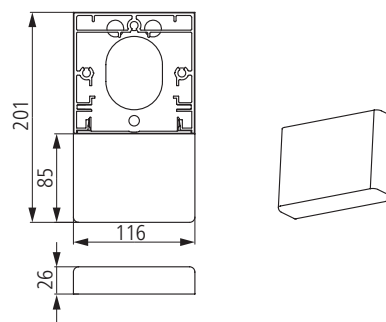
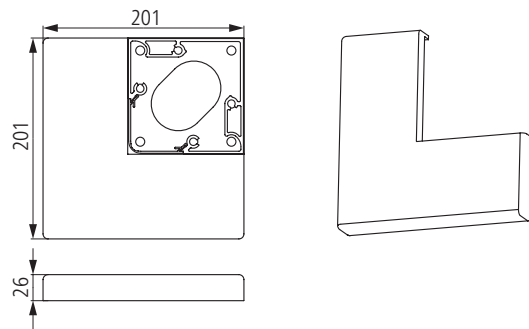


Cover cap for post plate



Cover cap for post plate wall left/wall right

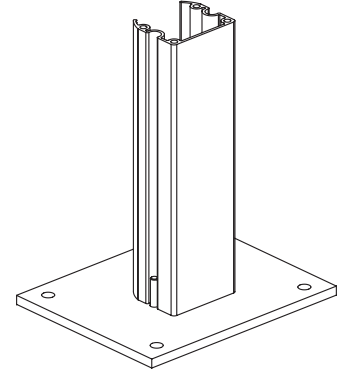
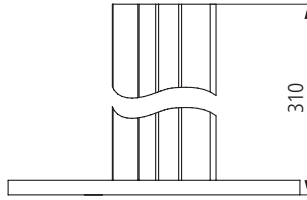
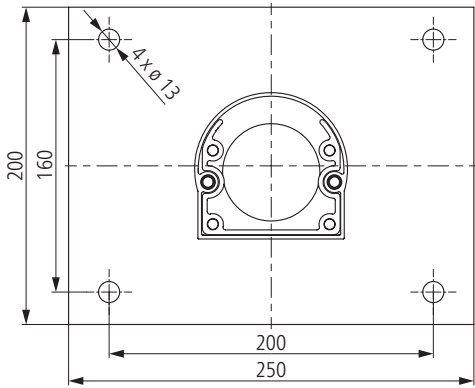
90 post



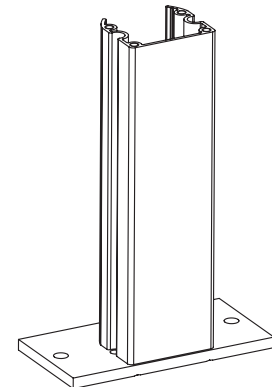
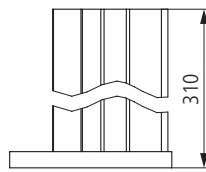
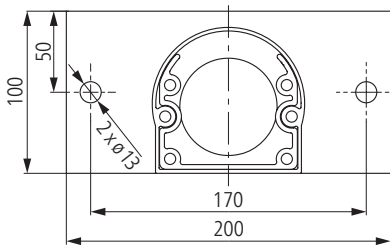
115 post

Aluminium base

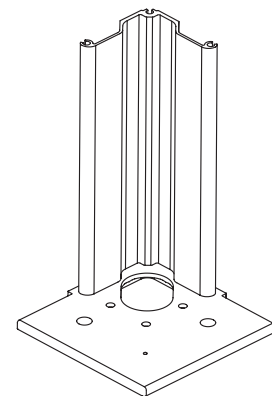
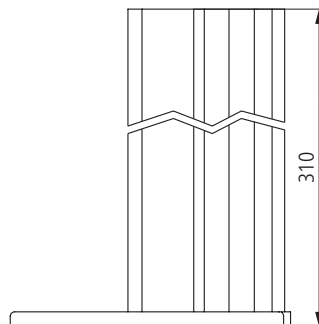
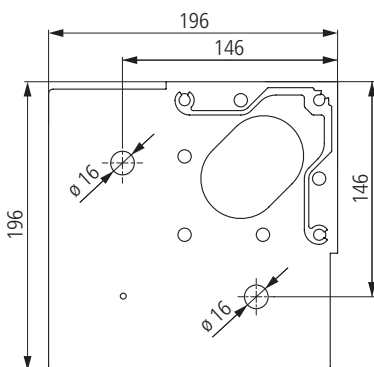
Aluminium base for fixing to the foundation



Small aluminium base



90 post



115 post

Terrazza originale | Plus Sun Protection

Vertical sun protection

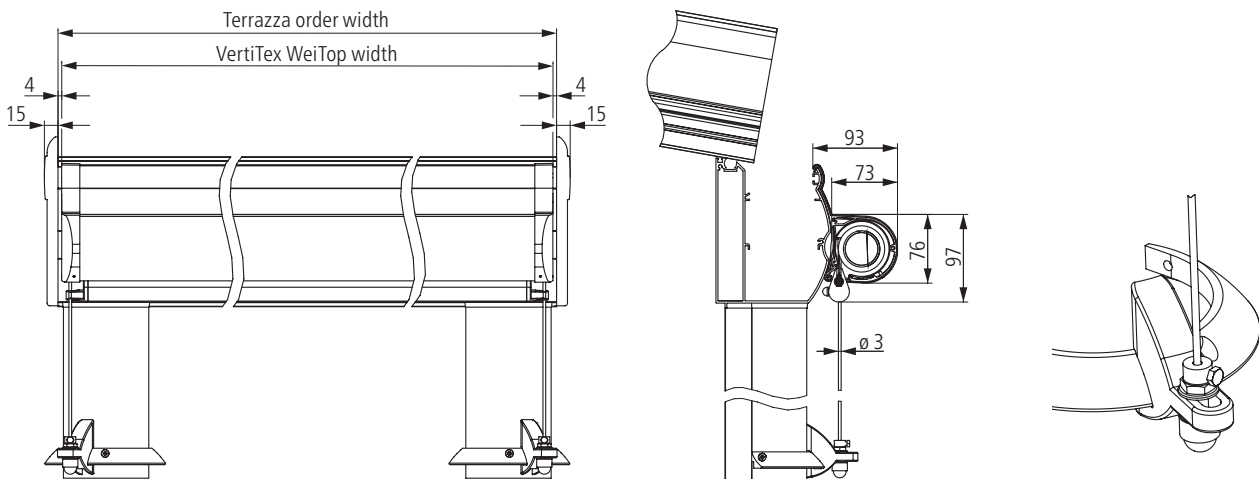
VertiTex II and VertiTex WeiTop



The weinor VertiTex WeiTop vertical sun protection offers perfect privacy and glare protection. In a fabric from the Soltis® collection, it protects against wind and allows the outside to be seen from the inside (transparent from dark to bright).

- Suitable for large areas (600 cm x 240 cm)
- VertiTex WeiTop for simple attachment into the Terrazza guttering
- VertiTex II with rope or rail guide, ideal for Terrazza with 220 guttering

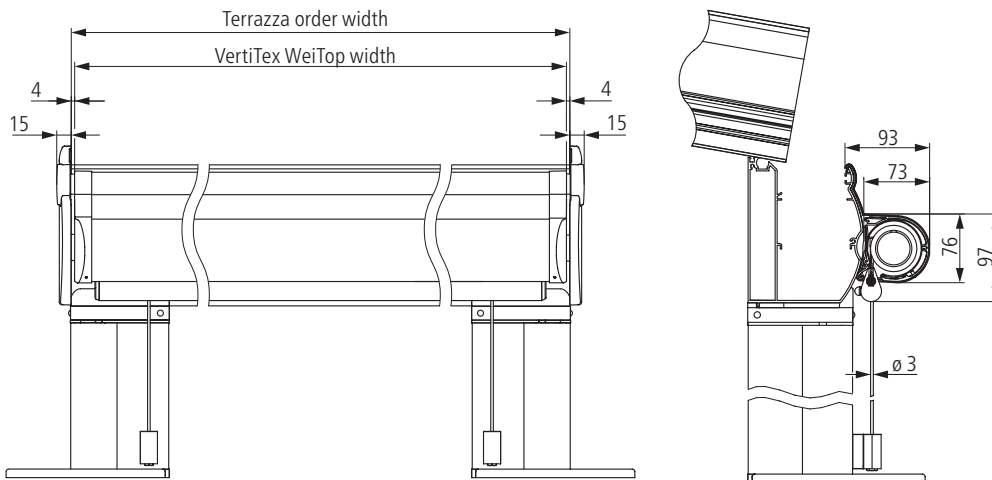
VertiTex WeiTop on Terrazza Originale with 160 guttering and 90 post



Fabric width = VertiTex WeiTop width – 104 mm ± 6 mm permissible tolerance

WeiTop rope holder on Terrazza 90 post

VertiTex WeiTop on Terrazza Originale with 160 guttering and 115 post



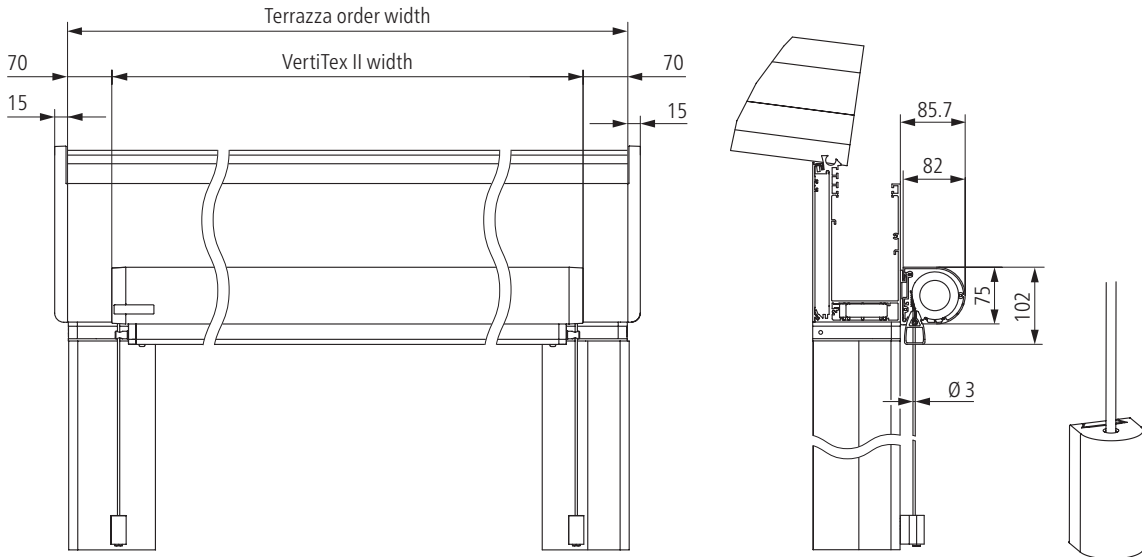
Fabric width = VertiTex WeiTop width – 104 mm ± 6 mm permissible tolerance

14 x 35 x 16 mm rope holder on Terrazza 115 post

Additional information can be found in the VertiTex vertical sun protection system chapter.

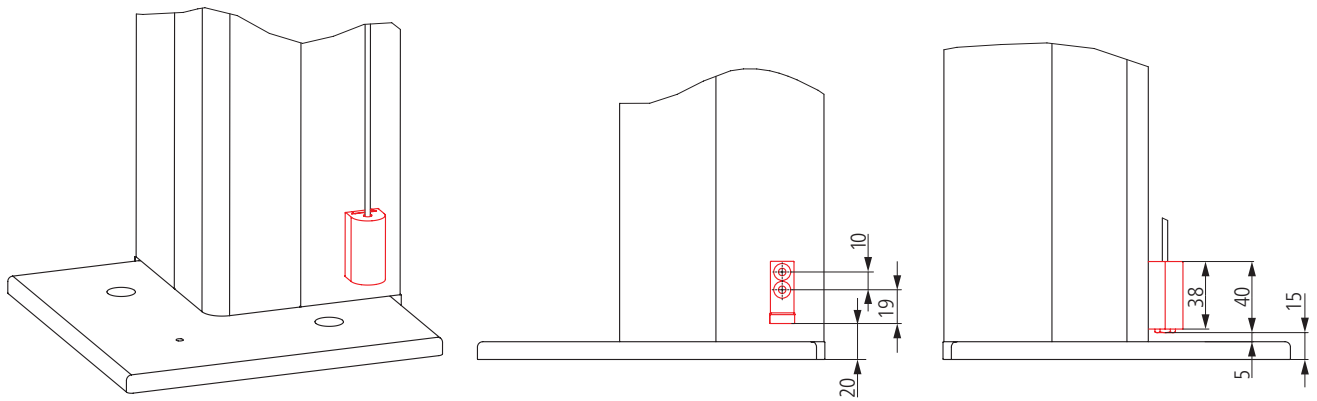
Vertical sun protection

VertiTex II on Terrazza Originale with 220 guttering and 115 post

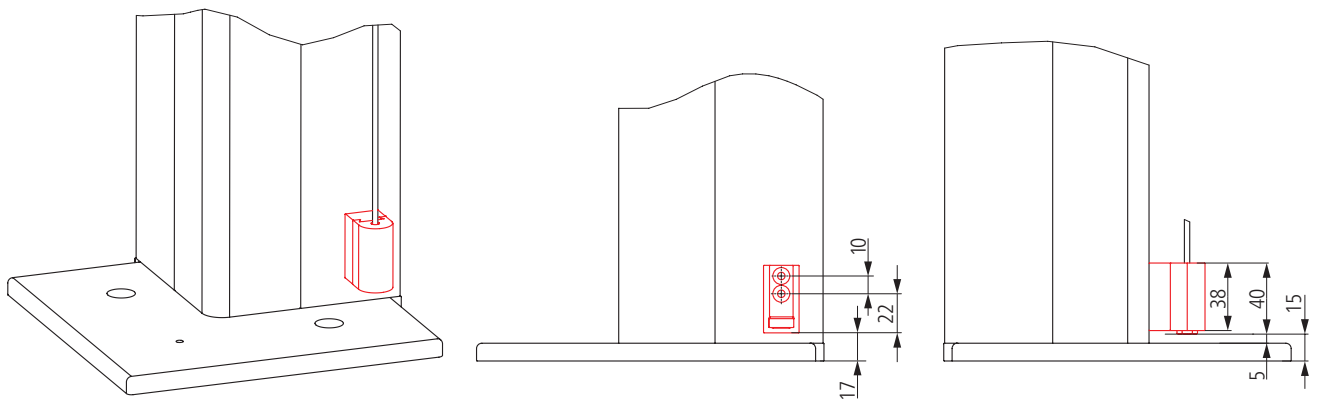


Fabric width = VertiTex width – 80 mm ± 6 mm permissible tolerance

14 x 35 x 16 mm rope holder on Terrazza 115 post



115 post with 14 x 35 x 16 mm rope holder (is used with the "indented rop" version)

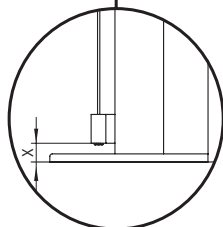
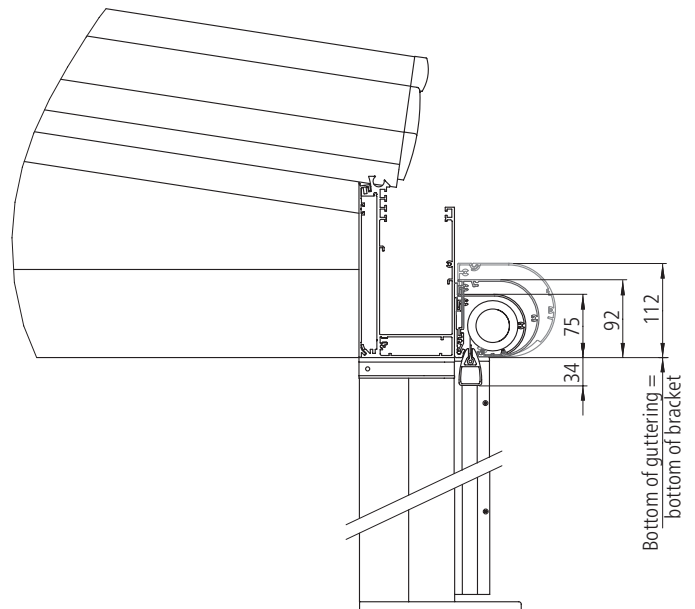
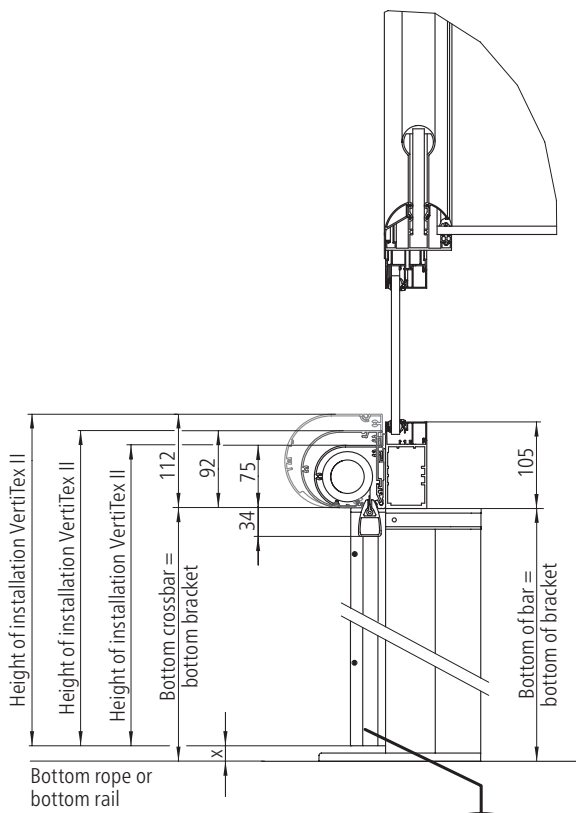
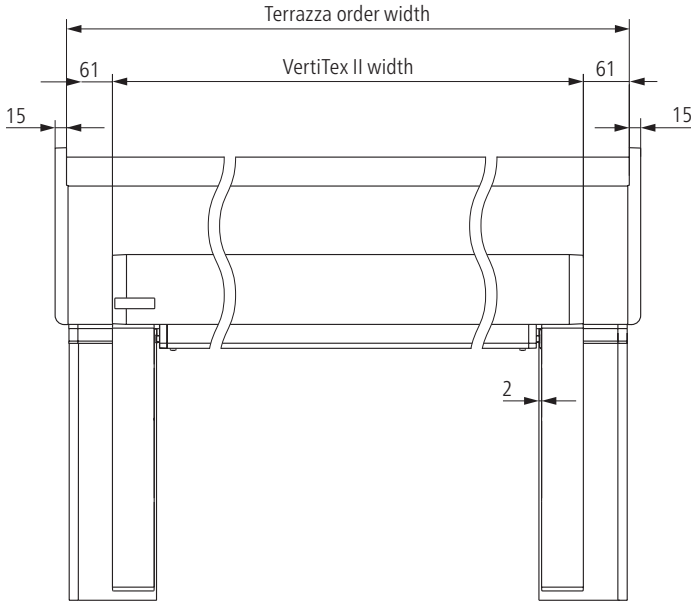


115 post with 20 x 38 x 28 mm rope holder (is used with the "outside rope guide" version)

Caution: Only possible with rope guide next to the fabric, e.g. in the centre with multi-section units

Vertical sun protection

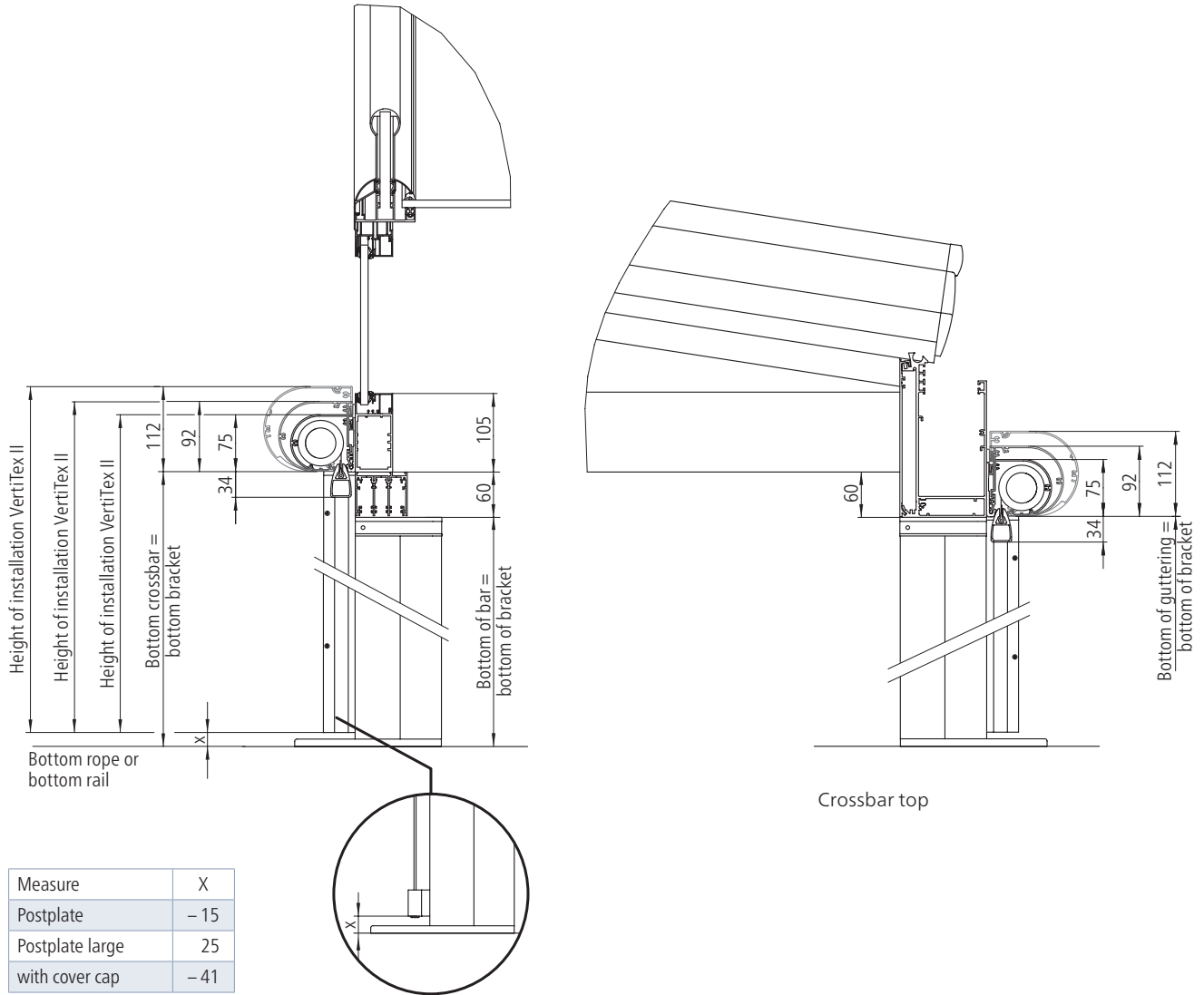
VertiTex II Zip 75/92/112 on Terrazza Originale with 220 guttering and 115 post



| Measure | X |
|-----------------|------|
| Postplate | - 15 |
| Postplate large | 25 |
| with cover cap | - 41 |

Vertical sun protection

VertiTex II Zip 75/92/112 on Terrazza Originale with 220 guttering and 115 post



Terrazza Originale | Plus Sun Protection

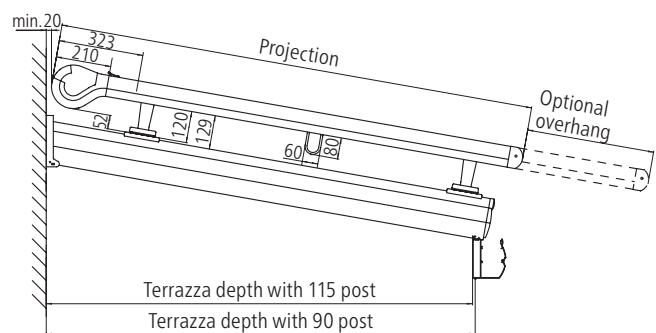
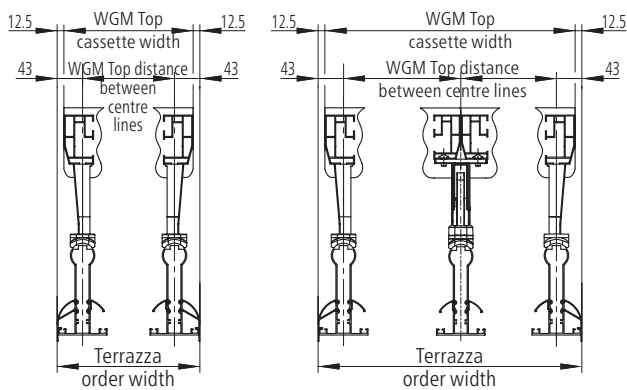
Overlay sun protection

WGM Top – over roof heat protection



Over roof conservatory awnings from weinor protect the Terrazza patio roof or the Glasoase® from excessive heat build-up.

WGM Top on Terrazza



Installation on weinor Terrazza



Installation on a Terrazza patio roof

Support bracket mounting plate



For weinor Terrazza L 150 roof support

For weinor Terrazza S 110 roof support

Adaptor plates

A support bracket preparation is optionally available for conservatory awnings – perfectly matched, as from one system.

Determining the projection of the conservatory awning

| Depth of Terrazza (mm) | 1000 | 1500 | 2000 | 2500 | 3000 | 3500 | 4000 | 4500 | 5000 | 5500 | 6000 |
|------------------------|------|------|------|------|------|------|------|------|------|------|------|
| Roof pitch 5° | 1108 | 1610 | 2112 | 2614 | 3116 | 3618 | 4120 | 4621 | 5123 | 5625 | 6127 |
| Roof pitch 15° | 1134 | 1652 | 2170 | 2687 | 3205 | 3723 | 4240 | 4758 | 5275 | 5793 | 6311 |

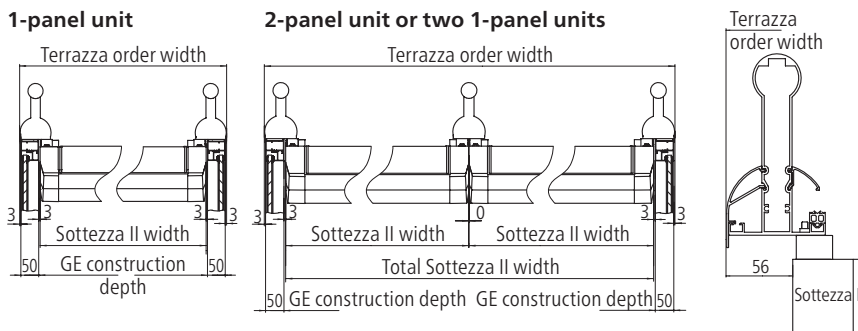
Underlay sun protection

Sottezza II – undermounted glare protection



The Sottezza II is the ideal undermounted sun protection for the weinor Terrazza patio roof and for the Glasoase®. On sunny days, it offers pleasant glare and sun protection.

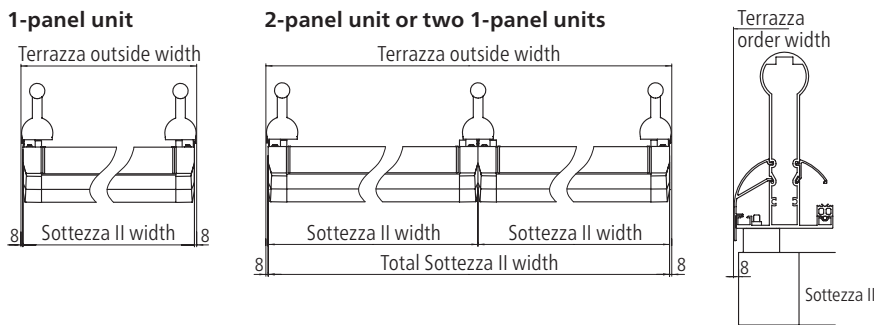
Sottezza II with glazing elements on a free-standing Terrazza



Our recommendation and also ideal for retrofitting:

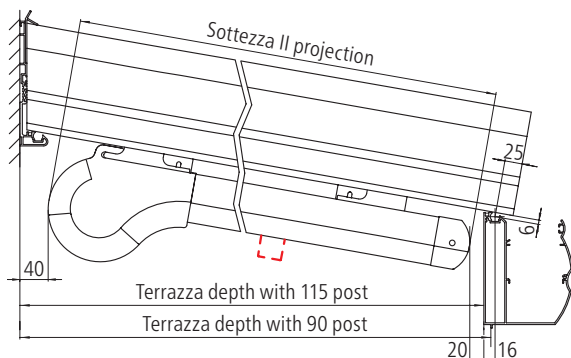
- Sottezza II indented 50 mm on each side
- Standard for orders via Quick & Easy

Sottezza II without glazing elements on a free-standing Terrazza



Sottezza II flush outside on the roof support

Side view of the Sottezza II



The sun protection runs below the roof support. Combined with LED light bars or LED Design, the Sottezza II must be mounted using suitable spacers at a spacing of 30 mm to the roof supports.

Determining the projection of the Sottezza II (applies for Terrazza)

| Depth of Terrazza (mm) | 1000 | 1500 | 2000 | 2500 | 3000 | 3500 | 4000 | 4500 | 5000 | 5500 | 6000 |
|------------------------|------|------|------|------|------|------|------|------|------|------|------|
| Roof pitch 5° | 940 | 1442 | 1944 | 2445 | 2947 | 3449 | 3951 | 4453 | 4955 | 5457 | 5959 |
| Roof pitch 15° | 959 | 1476 | 1994 | 2512 | 3029 | 3547 | 4064 | 4582 | 5100 | 5617 | 6135 |

Terrazza originale | Plus Glasoase®

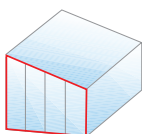
Glazing elements



The weinor Glasoase® elegant conservatory cooling system comprises a Terrazza patio roof and flexible or fixed, all-glass elements. All system components are available from weinor. This creates a host of combination options. The most diverse glazing elements offer protection where it is required, and allow the Glasoase® to be opened whenever desired – up to a complete opening across all fronts. Considerably extending the patio season.

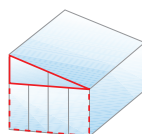


Fixed-glazing side elements
SUPER LITE w50-c



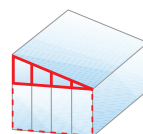
SUPER LITE w50-c side element

- Maximum transparency
- Adds fixed glazing to the Glasoase® design
- Very attractively priced
- All-glass fixed glazing under the side Terrazza roof support



LITE w50-c side element

- Highly transparent
- Attractively priced
- Fixed glazing below the Terrazza side patio roof support (trapezium), can be combined with w17 easy

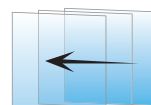


CLASSIC side element w50-c

- Extremely robust and stable
- Load-bearing
- Very good value for money
- Fixed glazing below the Terrazza side patio roof support (trapezium with vertical staves), can be combined with w17 easy

weinor all-glass walls

Alongside an all-round view, weinor all-glass walls provide reliable protection against the wind and driving rain. Available as fixed or sliding models depending on your preferences and needs. All systems are basically suitable for patio roofs, loggias and balconies.



Full glass sliding door w17 easy

- Opens sideways
- Actuator for easy closing
- Requires several guide rails
- Standing construction

weinor Glasoase® Benefits

Frameless all-glass elements allow the weinor patio roof to be expanded into the Glasoase®. This creates transparent weather protection with an unspoiled panoramic view to prolong the patio season. All weinor system components fit together perfectly and can be retro-fitted.



Flexible, vertical all-glass elements

enable, depending on the version, partial or complete opening of the Glasoase® – to suit individual requirements



Fixed glazing

For complete sides or sideways trapezium glazing, can be combined with flexible all-glass elements



Suitable sun protection

Glare, heat and privacy protection with sun protection solutions as required



Expandable system

Can be retro-fitted with other accessories even after many years, thanks to the modular range:

- Patio lighting
- Tempura
- Roof vent
- BiConnect remote control
- Roof or vertical sun protection



Premium quality
made in Germany



Awning



Awning
with Valance Plus
and Tempura



Awning
with Valance Plus
and Paravento



Pergola awning
Plaza Viva
and Paravento



Pergola awning
weinor PergoTex II
and Tempura



Pergola awning
weinor PergoTex II
with VertiTex II



Terrazza
patio roof
with Sottezza II
sun protection



Terrazza patio roof
with lateral SUPER LITE
fixed glazing



Glasoase® with
conservatory awning
WGM Top and full glass
sliding door w17 easy

AWNINGS

PERGOLA AWNINGS

CUSTOMISED, SYSTEMISED SOLUTIONS

PATIO ROOFS AND GLASOASE®

We reserve the right to make technical changes as well as changes in range and product portfolio. For technical reasons, the colours may appear slightly different when printed.

As of: 10/2018 Z

