

Glass sliding wall

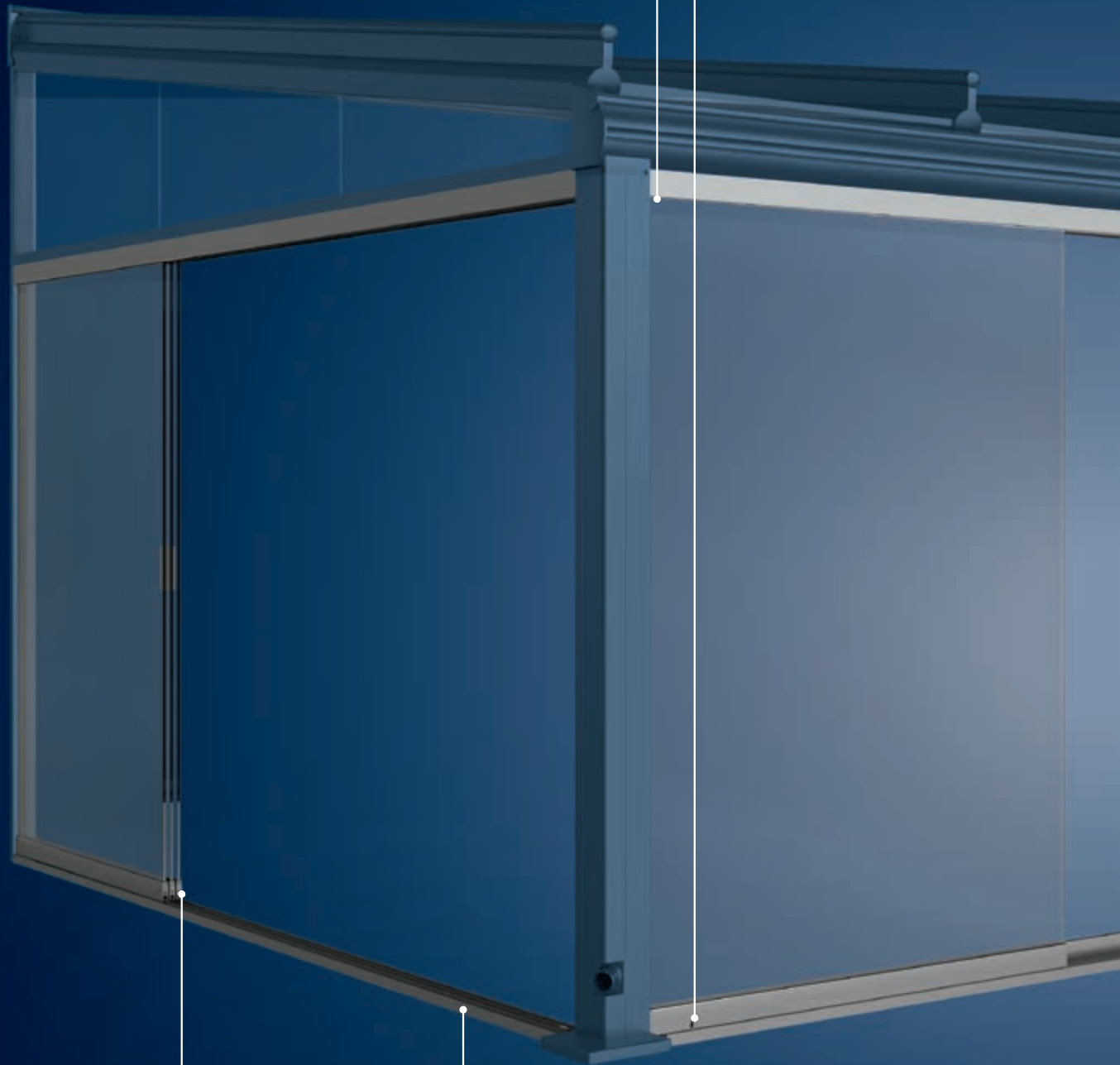
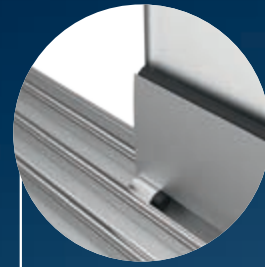
w17 easy

w17 easy Individual unit

The new **w17 easy** from weinor is equally as suitable as weather proofing for patios, balconies and pergola awnings as well as a room divider for indoors with the new optional accessible floor rails. The full glass sliding door is a breeze to operate and also locks if required thanks to the premium-quality fittings. High-quality handle and lock versions are available for this. The **w17 easy** is also fitted with a soft closing system. With the soft closure aid it can be extremely conveniently opened and closed, similarly to a kitchen drawer. Thanks to the cushioned leaf actuator and high-quality stainless steel rollers, the glass elements are extremely durable as well as quiet and easy to move. Retrofitted to many types of roofs, the full glass sliding system offers maximum transparency without any vertical frame: for rooms flooded with daylight and smooth transitions from the garden to the house.

Soft-Closing-System:

Quiet and easy movement of glass elements thanks to cushioned leaf actuation. On request, available with easy-close option



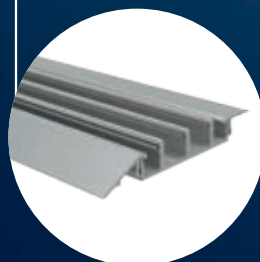
Better leaf adjustment:

Height adjustment of glass panels makes installation easier

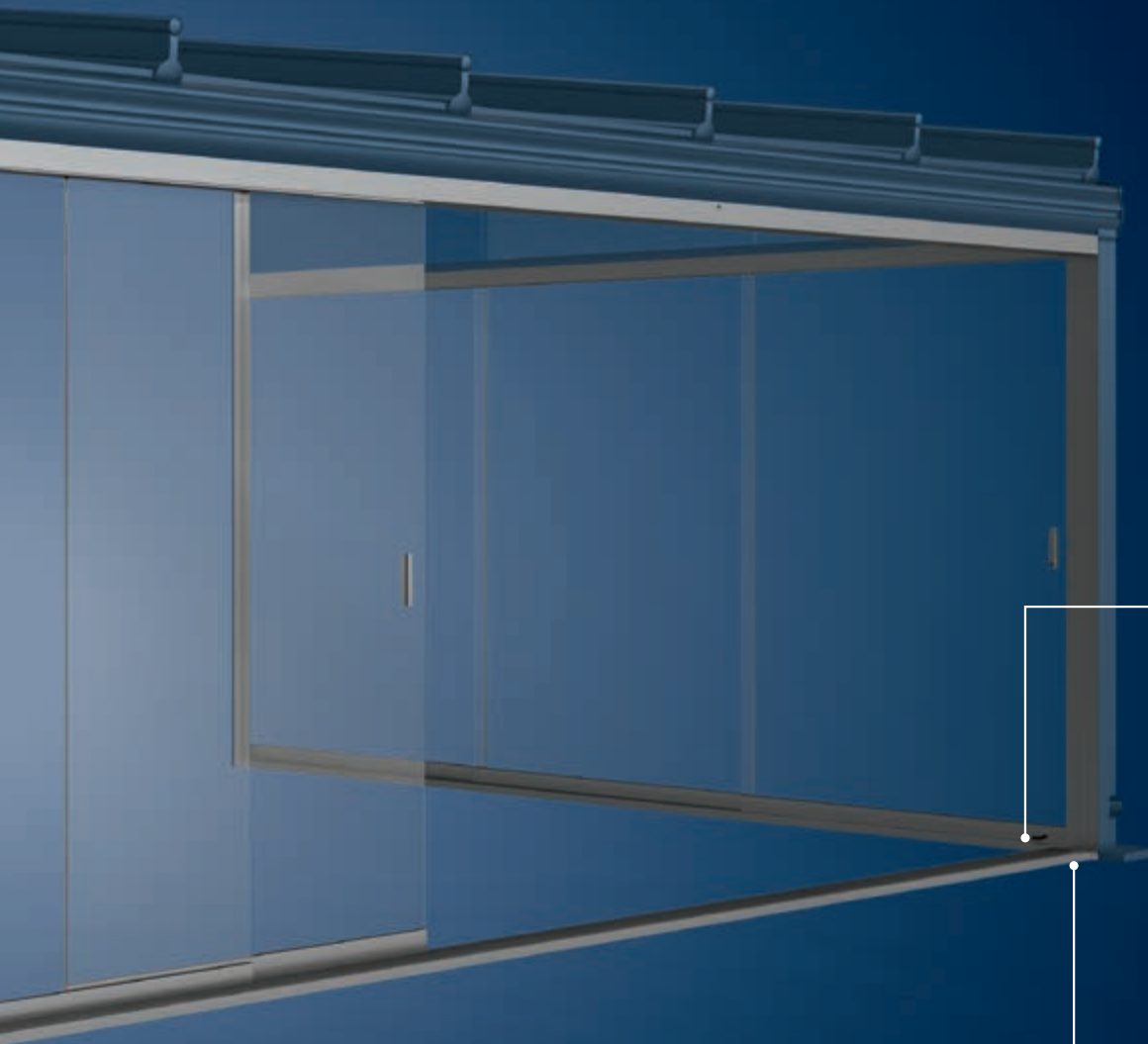


Angled and straight floor connection profiles:

perfect connection to existing floors (for standard rails too)



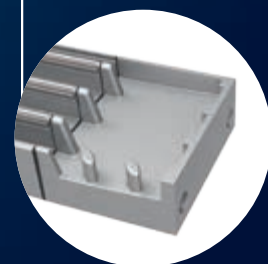
w17 easy Highlights



Foot-operated panel catch:
Convenient closing

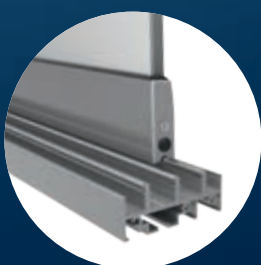


Clever CleanCase®:
Easy cleaning

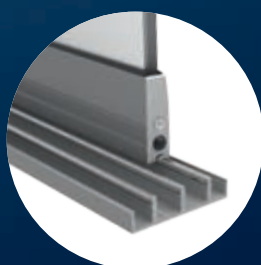


New floor rails with slope to the outside:

Version 1:
Standard rail for secure fixing

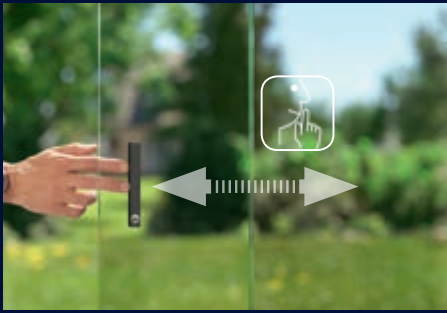


Version 2:
Flatter and therefore accessible



07

w17 easy Benefits



Soft-Closing-System

The w17 easy full glass sliding door is fitted as standard with the new soft closing system. It allows for the extremely quiet and easy movement of the glass leaves. The system is fitted with high-quality stainless steel rollers and guide rails. In addition, all the leaf actuators, leaf stop bars in the end positions and wall gap sealing profiles are fitted with softer cushioning elements.



Soft closure aid option:

The glass element is closed supported, similarly to with a kitchen drawer. This enhances the closing process.



Lockplate version – opens on two sides, closes in the centre

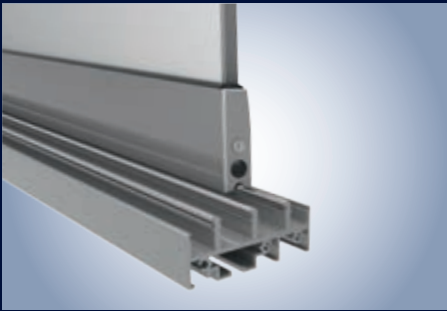


Single system – opens on one or two sides, closes on the left and/or right



Corner unit – frameless full glass corner, e.g. for balconies and loggias

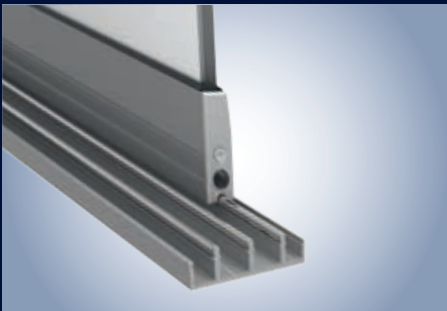
w17 easy Benefits



2 new floor rails – lower and more angled

The standard rails can be fixed securely, the flat floor rails also ensure an accessible transition. It is therefore ideal for use in living areas. Straight and angled attachment profiles ensure a smooth transition to existing floors.

- Standard rail 26 mm high with integrated CleanCase® (optional without CleanCase® – with drainage holes)
- Flat floor rail, 13 mm high, accessible
- Angled or straight floor gap sealing profiles (optional)



Clever CleanCase® – easy cleaning of running rails

The new standard floor rail has a practical CleanCase® – easy removal of dirt using a hand brush or cloth.

- Reliable drainage outside



Comfortable foot-operated catch

weinor developed an intelligent fixing mechanism so that the glass leaves remain reliably in the position you want when fully or partly open.

- Comfortable to operate without having to bend down
- Locking and releasing of w17 easy by applying slight pressure with the foot

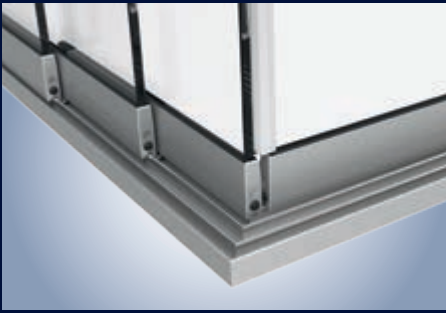


High-quality handle and lock versions

The full glass sliding doors can be operated conveniently using the high-quality handle versions. The lockcase with hung bolt offers additional security thanks to interlocking (option).

- Standard handles: in stainless steel and the system colour
- Cup pull handles: in V4A stainless steel for extreme corrosion resistance
- Lockcase and hung bolt: in system colour (A4 stainless steel rust-free lockcase inside, highly corrosion-resistant nickel silver key and profile cylinder), can be locked from the inside, can be locked from both sides as an option.

w17 easy Benefits



Seal profiles – well-sheltered against the wind and rain (optional)

Strong brush profiles seal the transition between the glass panels and the side and top guide profiles. There is also a new gap sealing profile to perfectly seal the corner gap between glass panels.

- Highly resistant to driving rain and windproof thanks to the combination with sealing profiles under the glass leaves
- Transparent gap seals between the glass panels for added weather protection



Retrofittable – for virtually every patio roof

Being a floor-mounted structure, weinor's full glass sliding door wall fits under virtually every patio roof as well as many other roof structures.

- weinor's patio roof can be extended to create a Glasoase®
- No additional costs for structural safety adjustments
- Matching profiles from weinor for easy retrofitting
- Easy to clean and easily accessible from the outside



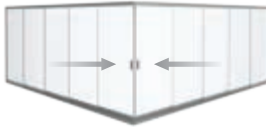


Maximum transparency and premium weather protection

An unobstructed panoramic view all around:

- Full glass design with top and bottom guide profiles
- No vertical frames between the panels
- Noticeable noise reduction
- Single-pane safety glass in 6, 8 und 10 mm possible
- Structural safety calculations performed by certified engineering firm

w17 easy Technology

Versions of the w17 easy	Single system	Lockplate version	Corner unit
			
Technology			
Max. width of system	6,600 mm	10,000 mm	combination of single systems and/or lockplate versions
Max. height of system	2,600 mm	2,600 mm	2,600 mm
Number of leaves	2 to 5	4 to 10	2 to 10 per side
Opening type	parallel-sliding	parallel-sliding	parallel-sliding
Standard lock	interior	interior	interior
Glass type	single-pane safety glass in 6 mm, 8 mm, 10 mm (satin-finish as option)		
Height compensation: standard	0 mm / - 25 mm	0 mm / - 25 mm	0 mm / - 25 mm
Aluminium handle bar in system colour	●	●	●
Universal 26 mm floor rail with CleanCase®	●	●	●
Flat 13 mm floor rail, accessible	○	○	○
Guide rail type	2-track to 5-track, construction depth 50 to 110 mm, trimmed in or on top		
Accessories			
Brush profile	○	○	○
Gap sealing profiles	○	○	○
Wall gap sealing profile	○	○	○
Additional standard lock on fixed leaf	○	○	○
Lockcase and hung bolt (lockable from the inside)	○	○	○
Lockcase and hung bolt (locks from either side)	○	○	○
Heat-soak test	○	○	○
V4A stainless steel handle bar	○	○	○
V4A stainless steel cup pull handle	○	○	○
Soft-Closing-System	○	○	○
Soft closure aid option (WGSP must be used)	○	—	○

● standard ○ optional — unavailable



w17 easy Planning

Technical details



Soft-Closing-System

The w17 easy full glass sliding door is fitted as standard with the new Soft-Closing-System. It allows for the extremely quiet and easy movement of the glass leaves. In addition, all the leaf actuators, leaf stop bars in the end positions and wall gap sealing profiles are fitted with softer cushioning elements.

Technical requirements:

A wall gap sealing profile must be used on the side with the soft closure aid option. We recommend a handle that operates from both sides for ideal operation, max. leaf width 1,200 mm, max. leaf weight 60 kg and the width/height ratio must not exceed 3:1.



Soft closure aid option for active doors in closing direction, pulls and closes it into the end position

Soft closure aid

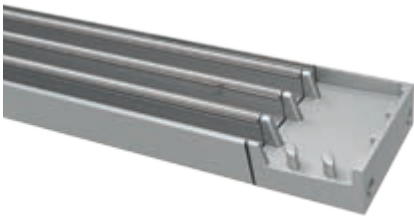


Insertion element

Easy close

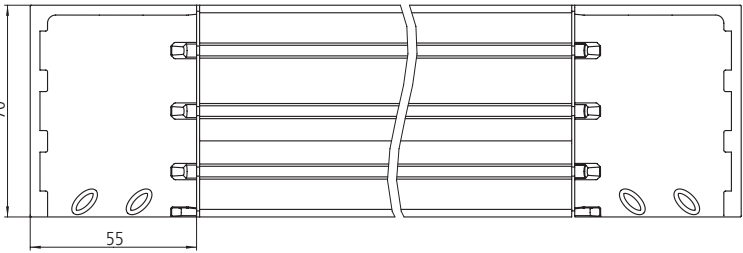
- Soft closure aid 120799 F11 for 30–60 kg leaves
- Soft closure aid 120824 F9 for leaves up to 30 kg

Drainage options in the bottom guide profile



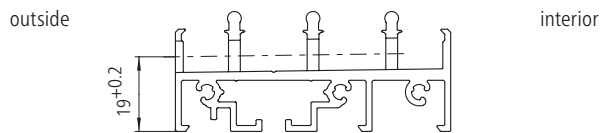
CleanCase®

2-track = 50
 3-track = 70
 4-track = 90
 5-track = 110

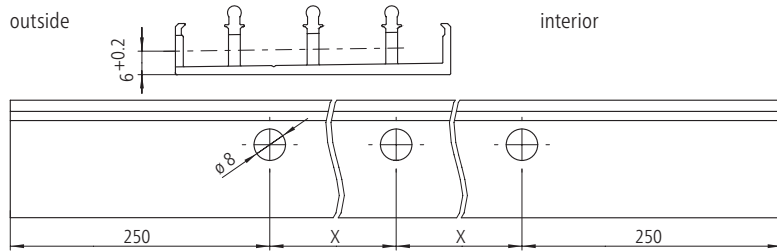


Standard floor rail

Water drainage holes for systems with no CleanCase®



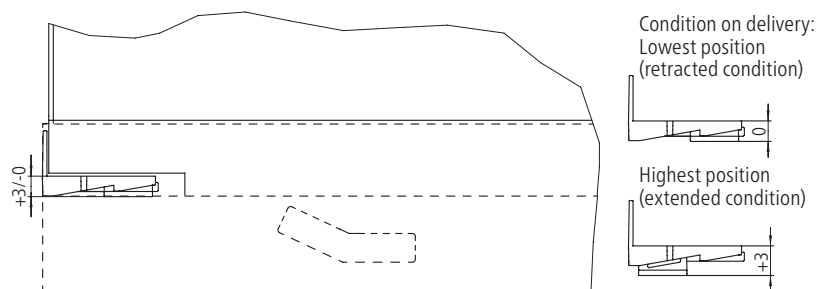
Flat floor rail



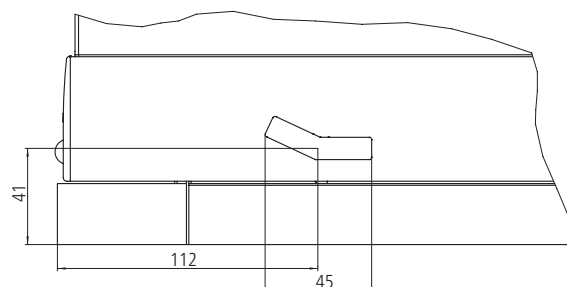
X = all other holes are drilled symmetrically distributed over the length of the profile



Glazing height adjustment

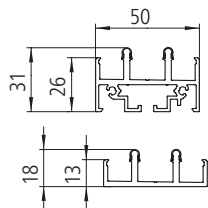
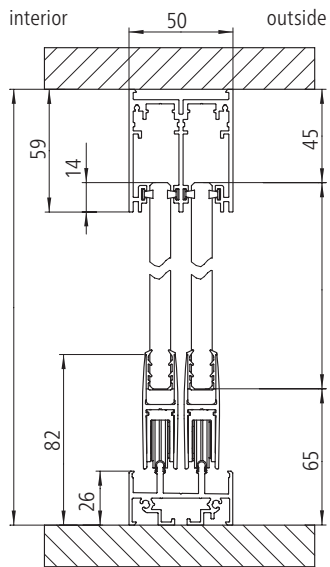


Standard locking

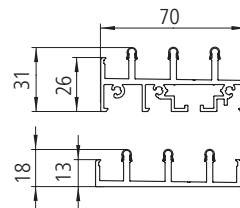
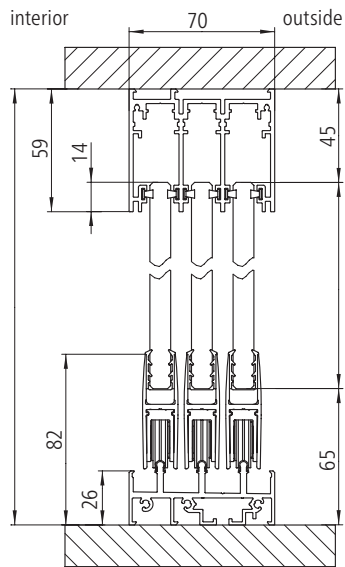


Cross-sections (not to scale)

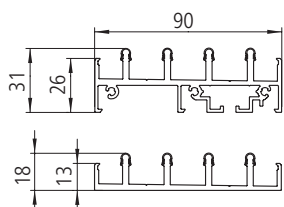
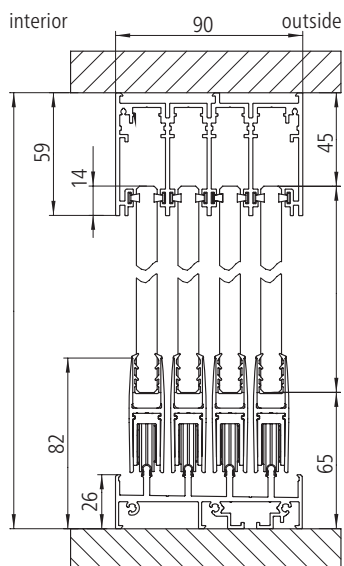
Vertical cross-sections



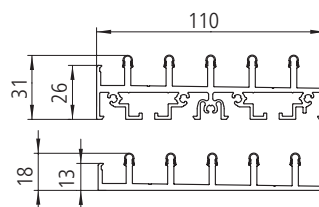
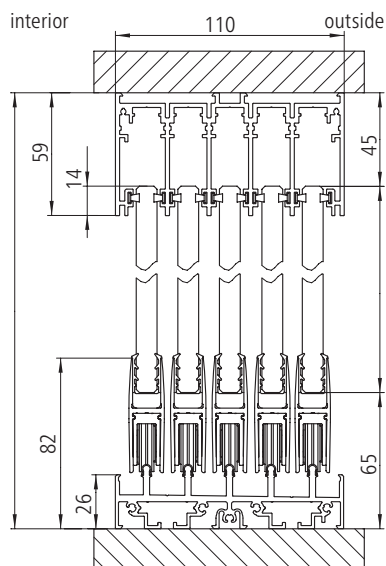
2-track



3-track



4-track

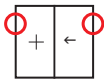
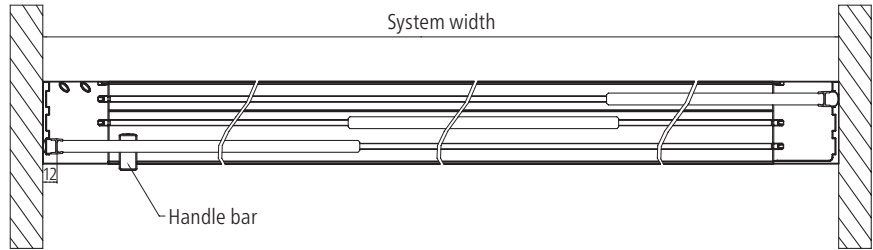


5-track

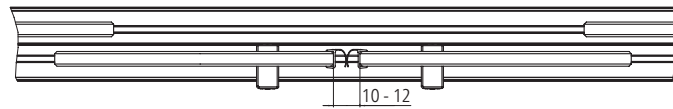
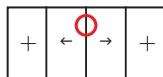
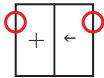
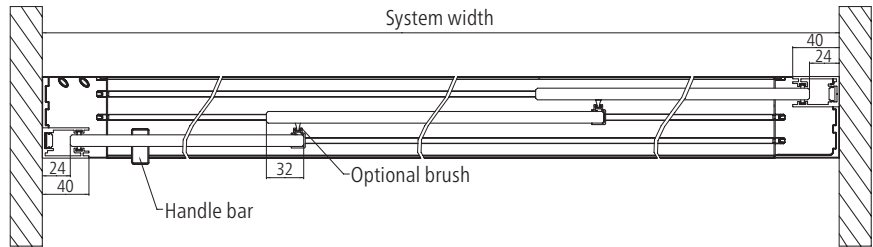
Cross-sections (not to scale)



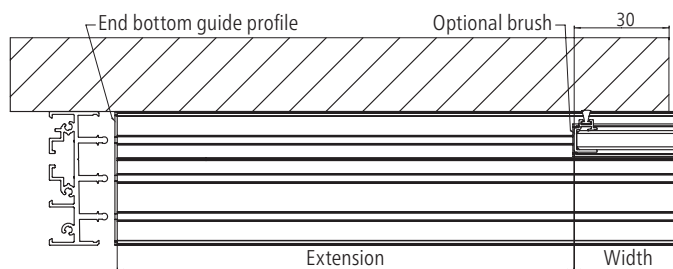
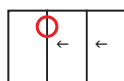
Version without wall connection profile



Version with wall connection profile



Detail of lockplate system (central)



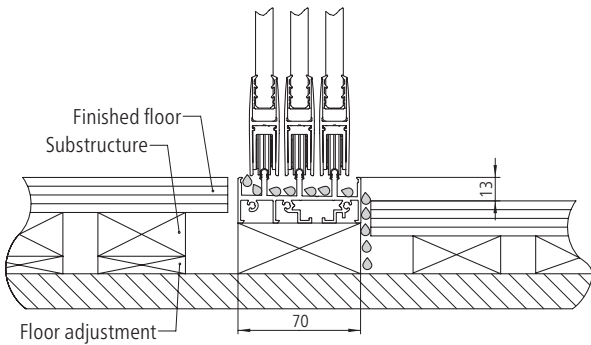
Chain dimensioning for guide profile extension



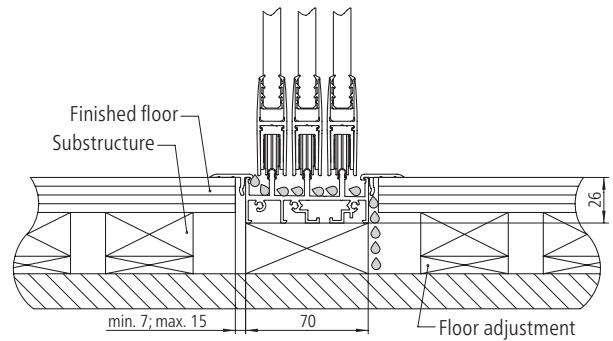
Leaf stop

The glass leaves are securely held in the guide profiles by a stable leaf stop bar. It is used with straight systems on the side without a wall gap sealing profile and in the centre with lockcase doors.

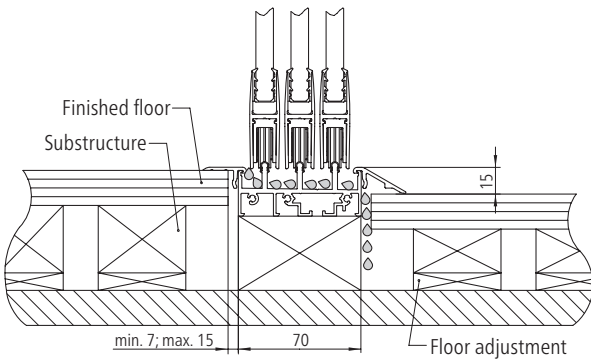
Floor rails



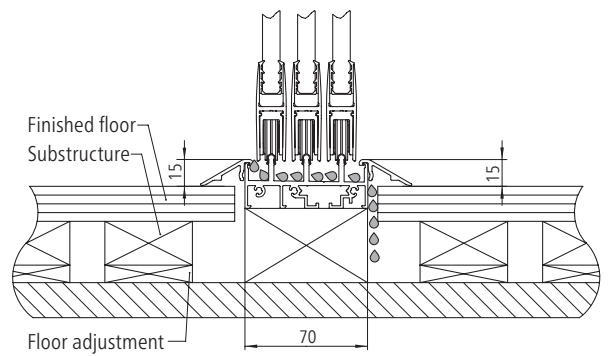
Floor rail with CleanCase® trimmed in with no attachment profiles



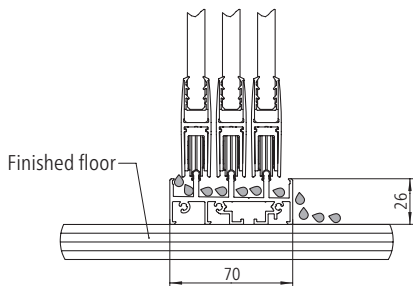
Floor rail with no CleanCase® with drainage holes (optional) trimmed in with floor gap sealing profiles



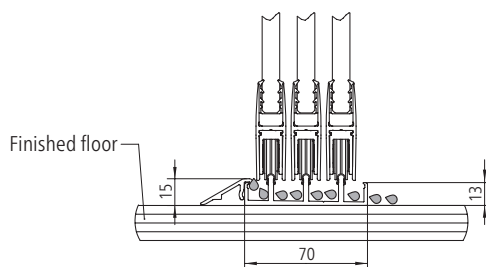
Floor rail with CleanCase® partly trimmed in with floor gap sealing and threshold profile



Floor rail with CleanCase® partly trimmed in with threshold profile

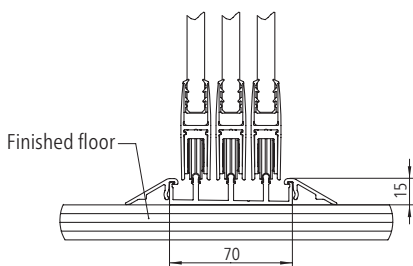


Floor rail with CleanCase® or optionally with drainage holes on top with no attachment profiles



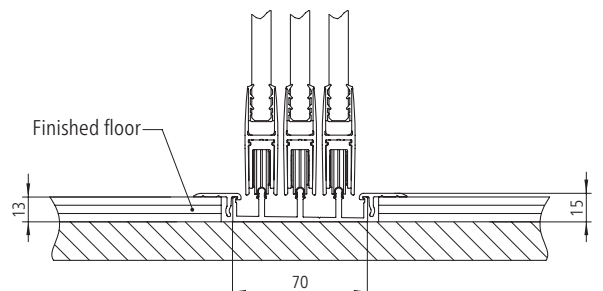
(with optional drainage holes)

Flat floor rail on top inside with threshold profile



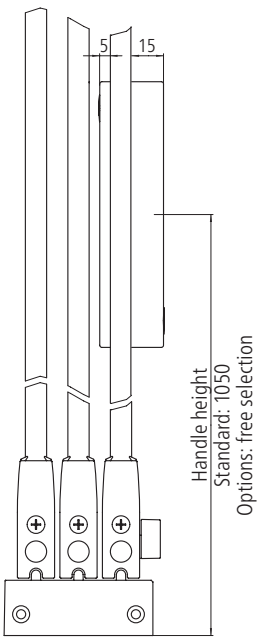
(no drainage holes)

Flat floor rail on top with threshold profile

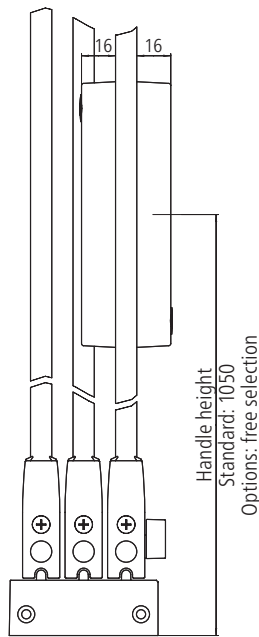


Flat floor rail trimmed in, on both sides with floor gap sealing profile

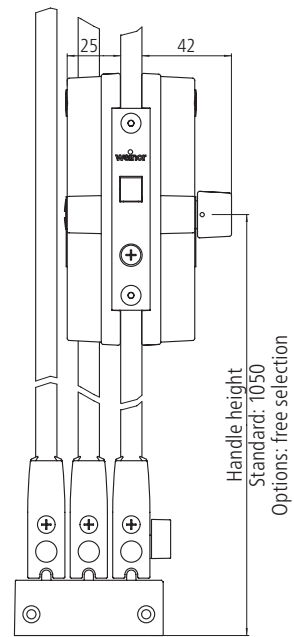
Handle



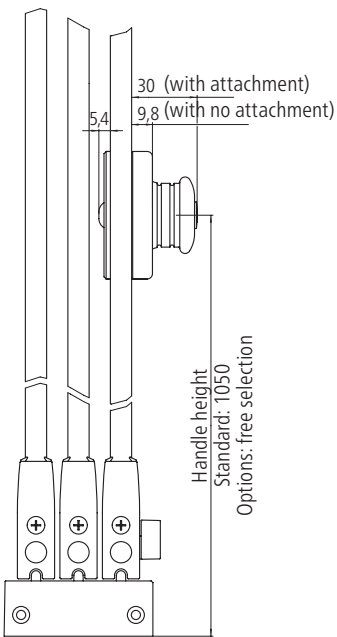
Standard handle



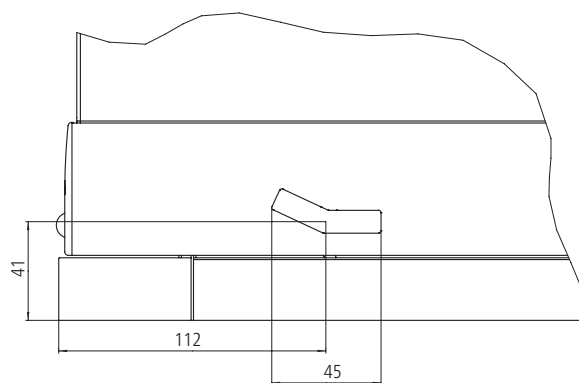
Handle on both sides



Knob for lockcase and hung bolt



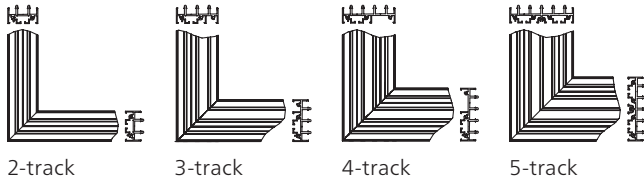
Cup pull handle, both options



Detail of floor rail with leaf profile with locking lever

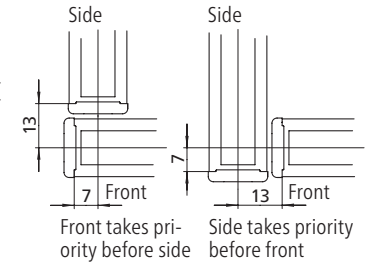
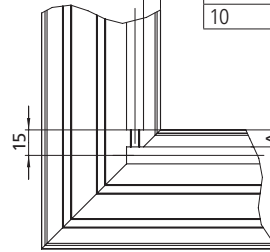
Cross-sections (not to scale)

90° corners always with the same number of tracks

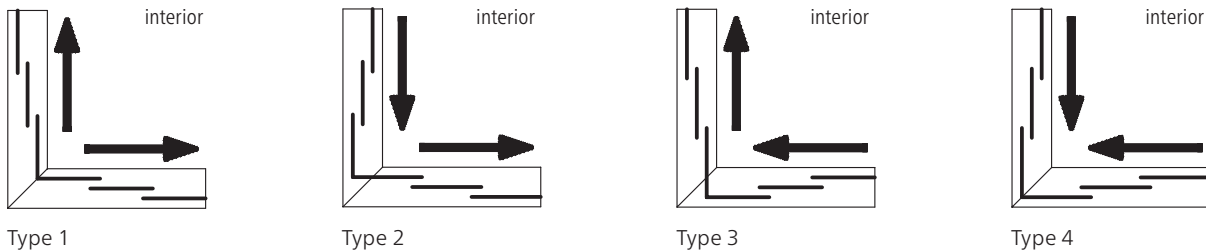


Glass thickness	Dimension A
6	12
8	11
10	10

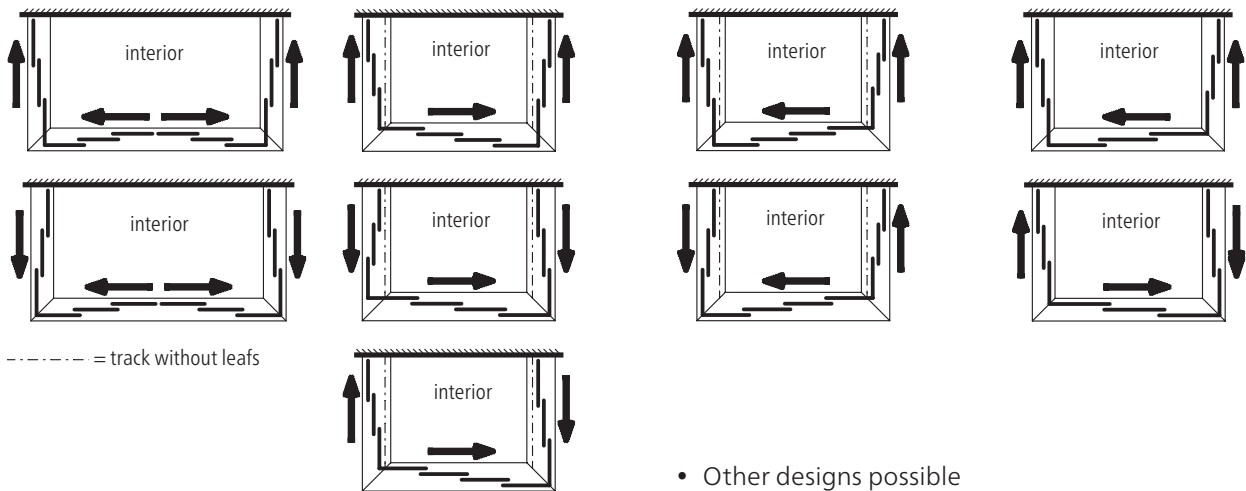
A – Theoretical spacing between panels in 90° corner



Possible leaf arrangements in corners

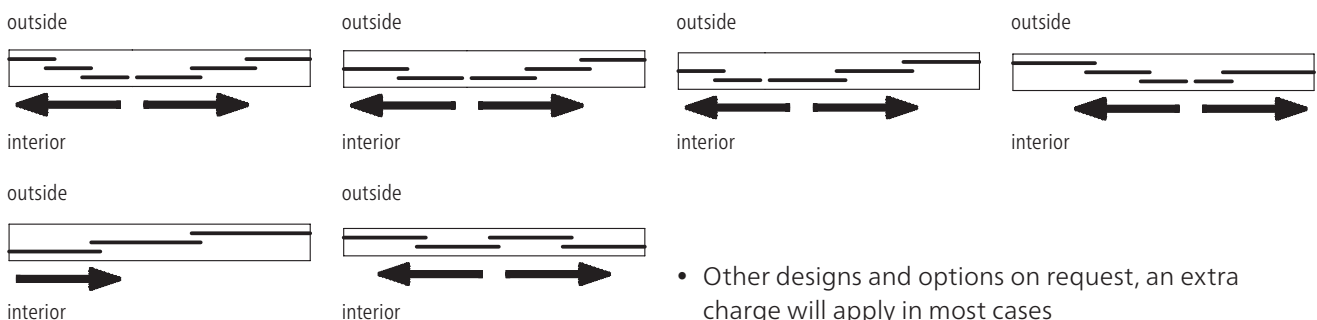


Examples of designs for standard Glasoasen®



• Other designs possible

Examples of custom designs

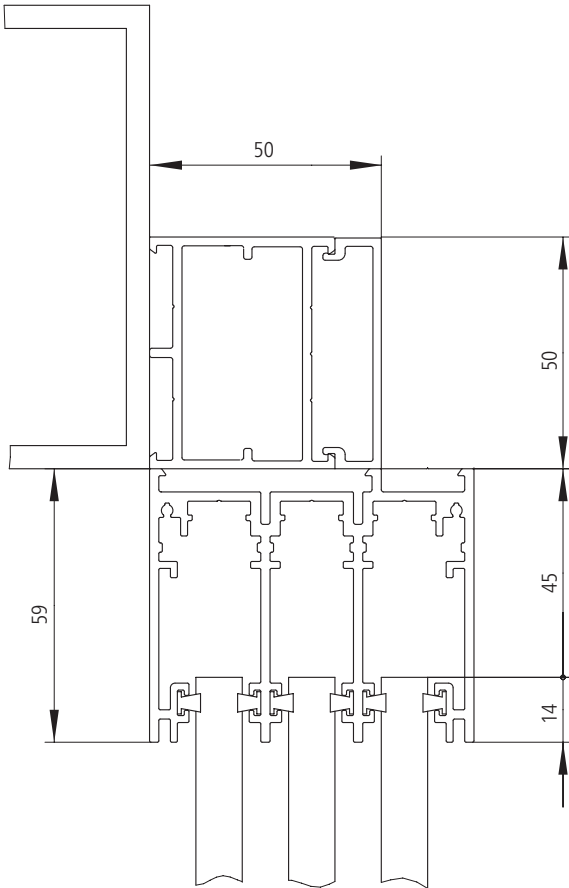


• Other designs and options on request, an extra charge will apply in most cases

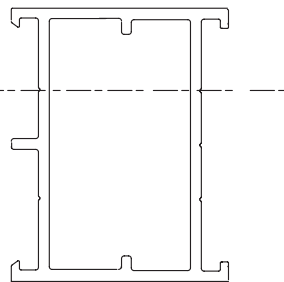
w17 easy Installation

Glazing element provision

Possible installation behind a structure



Concealed
screw fittings



Frame widener
50 x 40 or 50 x 60



Clip profile
50 x 10



Premium quality
made in Germany



Awning



Awning
with Valance Plus
and Tempura



Awning
with Valance Plus
and Paravento



Pergola awning
Plaza Viva
and Paravento



Pergola awning
weinor PergoTex II
and Tempura



Pergola awning
weinor PergoTex II
with VertiTex II



Terrazza
patio roof
with Sottezza II
sun protection



Terrazza patio roof
with lateral SUPER LITE
fixed glazing



Glasoase® with
conservatory awning
WGM Top and full glass
sliding door w17 easy

AWNINGS

PERGOLA AWNINGS

CUSTOMISED, SYSTEMISED SOLUTIONS

PATIO ROOFS AND GLASOASE®

We reserve the right to make technical changes as well as changes in range and product portfolio. For technical reasons, the colours may appear slightly different when printed.

As of: 10/2018

