



Plaza Viva – the textile pergola awning

Technical information

Plaza Viva Stretch/LED | Plaza Viva OptiStretch/LED

weinor

Prices and technical information

4-5	Overview and highlights
6-8	Product benefits and versions
9	LED lighting
10	Telescopic post and compensation joint
11	Gear handle position and fabric support rollers
12-13	Valance Plus and Paravento
14-15	Site dimension and planning
16-22	Control and operation
23	Stretch and OptiStretch
24	Tension system
26-27	Multi-section units
28-29	Technical details and sections
30-37	Installation options

General Information

38-39	Frame colours
40-41	weinor fabrics

weinor is an eco-friendly company. To ensure compliance with high environmental standards, manufacturing processes and materials undergo regular testing by experts.





Plaza Viva The textile pergola awning for use in almost any weather

Plaza Viva stands for reliable weather protection for your favourite outdoor space. It is incredibly wind-resistant and integrates subtly into the overall look of the building. Not forgetting its practical use on facades that don't have enough load-bearing capacity to mount a folding arm awning.

Technical innovations such as the optional adjustable telescopic post, the OptiStretch version, integrated LED lighting and gear handle operated Valance Plus leave almost nothing to be desired.

3-part rain protection system



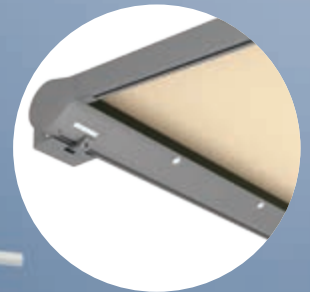
1. Compensation joint:
Reduces the load on the entire construction when lowering the post



2. Wall bracket with floating bearings:
Also reduces the load on the awning when lowering the post



3. Telescopic post:
Can be lowered using the gear handle to disperse rainwater effectively



Integrated LED lighting:
Atmospheric patio lighting



No visible fixings:
Elegant, slimline, clean lines



The weinor pergola awning is only available with motor drive. On the basis of radio technology, it can be controlled using the weinor BiConnect or Somfy RTS and io-homecontrol® systems. A wired version is also available.

Plaza Viva

The textile pergola awning
for almost any weather applications



Premium quality
made in Germany



9 WiGa trend colours
47 standard RAL colours

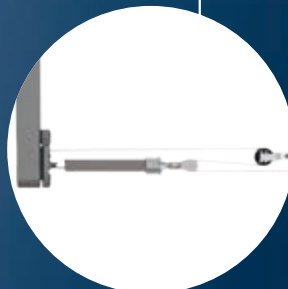
The powder coating done in our
in-house factory guarantees colour
fastness and a uniform gloss level.



Plaza Viva fabrics are sewn, spinneret
dyed, water repellent and dirt-resistant
in high quality.



Service opening hatch:
Easier access to the drive
and control components with
BiConnect



New flat rope:
Quiet and extremely
tear-resistant



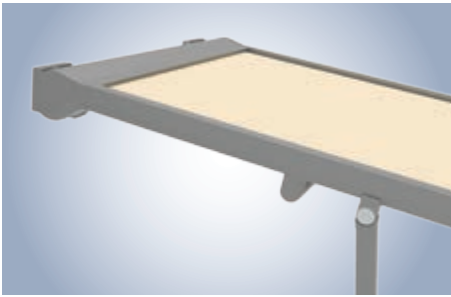
Plaza Viva OptiStretch:
Held captive on 4 sides,
no light gap



Plaza Viva Stretch:
Held captive on 2 sides,
cost effective solution

Plaza Viva – textile pergola awning

Product benefits in detail



Large areas can be covered – thanks to the sturdy posts and framework

The Plaza Viva stands on solid posts. Making it suitable sun protection for large terraces and offering reliable protection against surging winds.

- For larger dimensions up to 30 m²
- Can also be installed on difficult and insulated facades due to reduced load acting on the installation points
- Wind-resistant up to wind force 6 on the Beaufort scale
- Elegant design, almost no visible screws

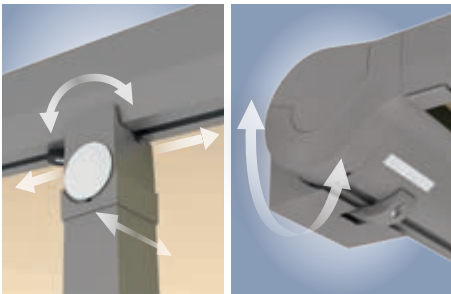


New: telescopic post option for effective water drainage

The optional telescopic post can be raised and lowered on one side using the gear handle thus ensuring that rain drains off easily with a pitch awning of 4° or more.

- Only one telescopic post per individual unit
- Reliable water drainage
- No pooling on the fabric

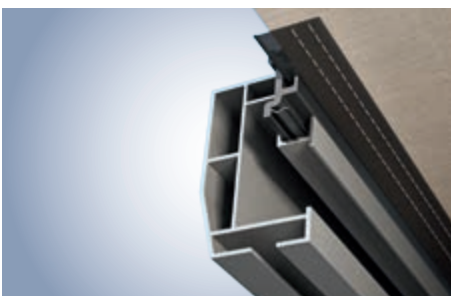
Please observe the important details on page 10.



Compensation joint and floating bearing

The combination of a compensation joint and wall bracket with floating bearings reduces the load on the entire construction when the awning is lowered using the gear handle.

- Rain drains off reliably (no danger of pooling)



Functioning principle of OptiStretch

Clever Stretch and OptiStretch versions

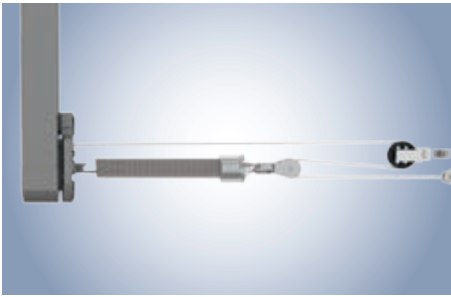
Plaza Viva Stretch: the really even tautness of the fabric positioning and performance creates a cosy atmosphere.

- **Stretch:** held captive on 2 sides, cost effective, easy installation

Plaza Viva OptiStretch: completely enclosed all round, ensures optimum fabric positioning without any hanging or saggy fabric edges. On very large dimensions it also reduces the sag of the cover during operation.

- **OptiStretch:** held captive on all 4 sides, no light gap

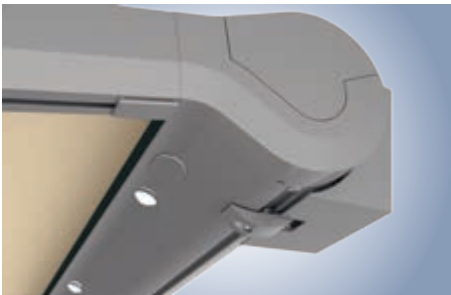
Product benefits in detail



Reliable tension system – with new flat rope for quiet operation

The tried and tested tension system is used with the Plaza Viva and the new flat rope is used. This is extremely resilient and rolls up more consistently than conventional round tension ropes. The result is an all round better positioned and tensioned fabric.

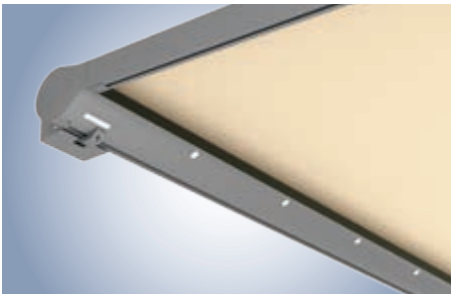
- Long lasting consistent tension with tried and tested pulley system
- The flat rope is quiet end tear resistant, and is prevented from twisting and jumping during operation. The risk of fraying is also virtually eliminated



Service opening hatch – convenient access for maintenance

The opening in the cassette offers easy access to the motor input with BiConnect.

- Easier access to components
- The programming of the drive's end positions is made easier by the service opening
- Decoupling of the wind sensors during maintenance



Atmospheric LED spotlights – for the ultimate environment after dark

The LED spotlights integrated into the cassette produce atmospheric lighting on the patio.

- 30,000 hours of LED lighting with minimal energy consumption
- LED infinitely dimmable using weinor's BiConnect control



Valance Plus – vertical privacy and sun protection

The Valance Plus is elegantly integrated into the Plaza Viva's drop profile. It provides privacy and glare protection even with a low-lying sun.

- Can only be operated by gear handle up to 2100 mm
- Patented OptiFlow-System® to keep fabric ideally positioned and to close the drop profile safely
- Valance Plus may only be extended and retracted when using a telescopic post if the telescopic post is cranked right up to the top
- Not in combination with integrated LED lighting
- Can be combined optionally with the LED Design light bar

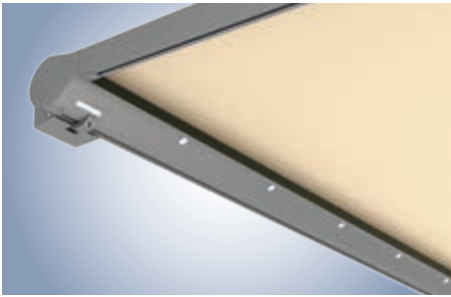
Plaza Viva – textile pergola awning

Plaza Viva versions

- Standard
- Option
- Unavailable

	Plaza Viva Stretch	Plaza Viva OptiStretch	Plaza Viva Stretch LED	Plaza Viva OptiStretch LED
Technology				
Max. width	6,000 mm	6,000 mm	6,000 mm	6,000 mm
Max. projection	5,000 mm	5,000 mm	5,000 mm	5,000 mm
Max. fabric area	30 m ²	30 m ²	30 m ²	30 m ²
Cassette size (width x height)	166 x 325 mm	166 x 325 mm	166 x 325 mm	166 x 325 mm
Gear drive	—	—	—	—
Motor drive	●	●	●	●
Awning pitch	4° – 25°	4° – 25°	4° – 25°	4° – 25°
Installation/fixing options	p. 30 on	p. 30 on	p. 30 on	p. 30 on
LED lighting (separate spot-lights)	—	—	● integrated in the cassette	● integrated in the cassette
Valance Plus option				
Max. width	6,000 mm	6,000 mm	—	—
Max. projection for Plaza Viva	5,000 mm	5,000 mm	—	—
Motor drive	—	—	—	—
Gear drive	●	●	—	—
Plaza Viva angle of pitch	max. 20°	max. 20°	—	—
Valance Plus projection (H)	1,000, 1,500, 2,100 mm		—	—
Design				
47 standard frame colours	●	●	●	●
Over 150 other RAL colours	○	○	○	○
9 trend colours	●	●	●	●
Other structural colours	○	○	○	○
weinor fabric collection	●	●	●	●
Soltis® 86	● only up to 5,000 mm wide x 4,000 mm projection	—	● only up to 5,000 mm wide x 4,000 mm projection	—
Soltis® 92	○ only up to 5,000 mm wide x 4,000 mm projection	—	○ only up to 5,000 mm wide x 4,000 mm projection	—
Other fabric collections	○	○	○	○
Accessories				
Fixing brackets	p. 30 on			
Radio control	○ see weinor/Somfy radio controls, from page 16			
Hard wired switch operation	● see weinor hard wired, from page 21			
Quality				
Wind resistance	The Plaza Viva has been tested in the maximum dimensions up to wind force 6 on the Beaufort scale (in accordance with wind resistance class 3) and withstands this load			
Rain class 2 is met	With Plaza Viva with fixed posts from a pitch of 14° With Plaza Viva with telescopic posts from a pitch of 4° with fully lowered post			

Plaza Viva LED – with LED lighting



LED lighting – 30,000 hours of lighting with extremely low energy consumption

The select high-power LED components are patented and represent the very best in weinor quality:

- Integrated into the cassette
- Atmospheric light thanks to special glass lenses
- Lighting remains on even when awning is retracted
- Highly energy-efficient
- Operating life of 30,000 hours
- Infinitely dimmable when used with BiConnect radio control
- Easy to service: simply replace individual LED lights without uninstalling the awning

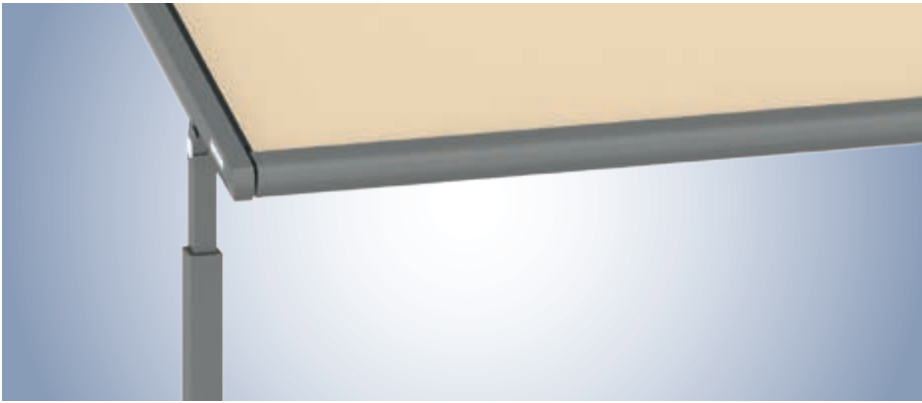
Awning width in mm	Number of separate LED spotlights
– 3,000	5
3,001 – 3,500	6
3,501 – 4,000	7
4,001 – 4,500	8

Awning width in mm	Number of separate LED spotlights
4,501 – 5,000	9
5,001 – 5,500	10
5,501 – 6,000	11

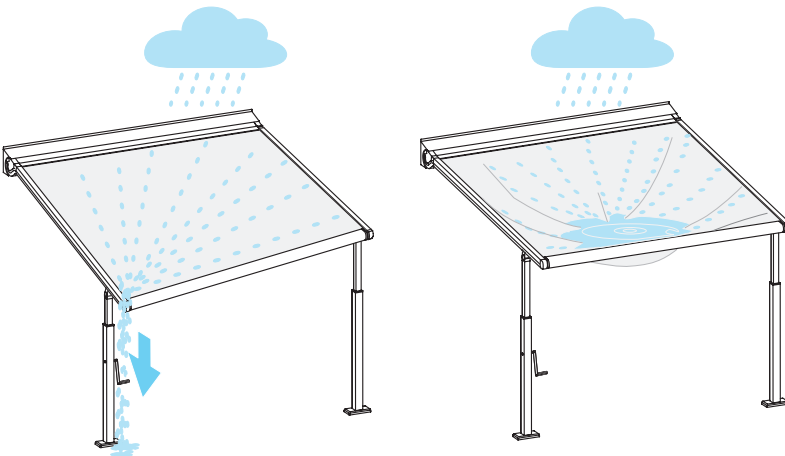


Plaza Viva – textile pergola awning

Plaza Viva – telescopic post (option)



The optional telescopic post can be really easily lowered on one side using the gear handle providing an awning pitch of 4° and fully cranked down post so that rain drains off reliably.



Left: Controlled draining with lowered post.

Right: If the post is not lowered, the water may collect on the Plaza Viva leading to pooling.

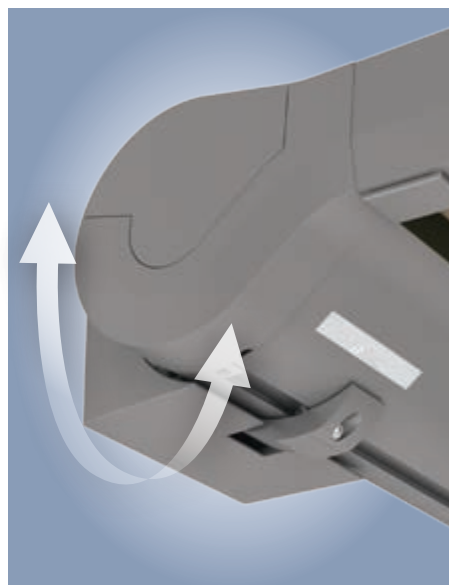
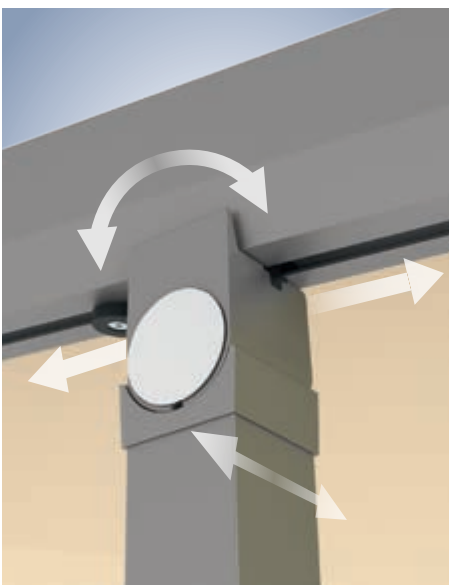
Important information

Please note:

- The telescopic post should ideally always be moved into the highest or lowest position as it can only be locked in place there. If it is moved to a position in between it may lower of its own accord because there is no locking in place.
- The unit may only be extended and retracted if the telescopic post is set at the highest point
- The mounting of telescopic posts on both sides is not recommended as this would cancel out the benefit. It would then only be guaranteed that rain would drain off reliably from a pitch of 14° again.

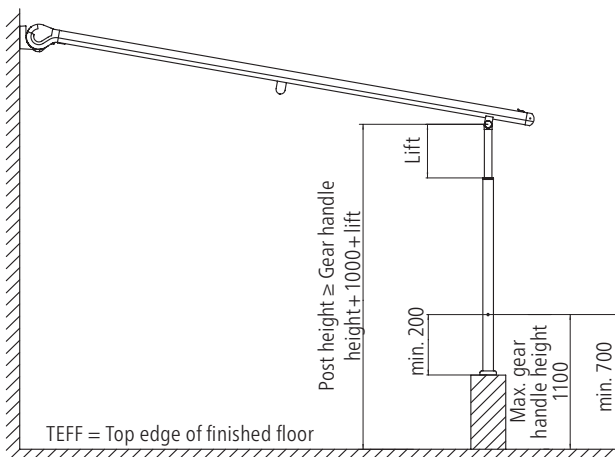
- 2 telescopic posts are also unsuitable for protection against the low-lying sun as lowering between 150 to 350 mm does not offer sufficient protection. The Valance Plus is ideal for this.

Compensation joint and floating bearing



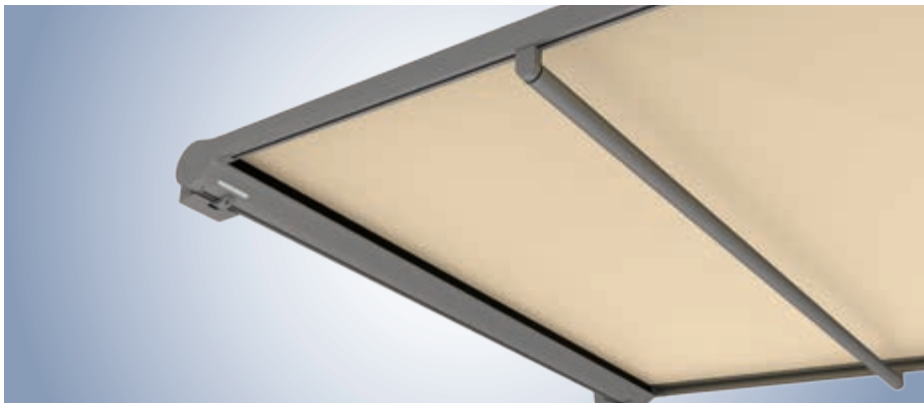
When lowering the top part of the post using the gear handle, it reduces the load on the construction and it remains inherently stable. The wall bracket with floating bearing and compensation joint on the upper part of the post ensure that the entire awning adapts perfectly to the pitch.

Gear handle position



Standard gear handle height 900 mm.
Different gear handle position on request.

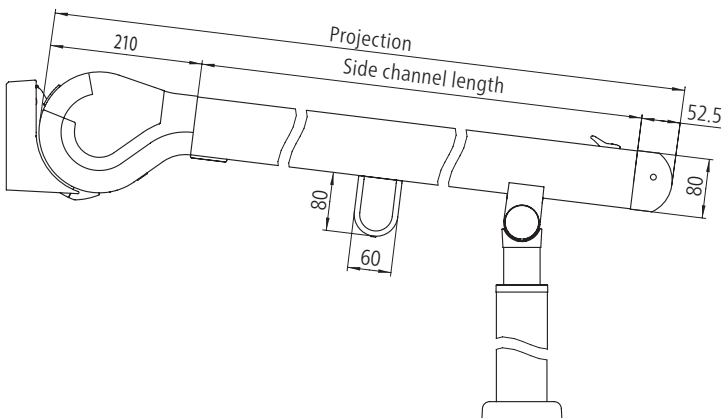
Use of fabric support roller at bottom



A fabric support roller fitted **below** the fabric as standard with a projection > 4000 mm.

With locations exposed to winds we recommend using additional fabric roller supports (option).

The fabric support rollers can be retrofitted at any time without too much effort.



Use of fabric support roller at top (with Valance Plus option)



With the Valance Plus option the fabric support roller (from a projection > 4000 mm) is fitted **above** the fabric as standard.

Plaza Viva – textile pergola awning

Valance Plus option – privacy and sun protection from the front



Valance Plus – more privacy thanks to vertical privacy and sun screen (optional)

The gear handle operated vertical sun protection is integrated elegantly into the Plaza Viva drop profile.

- Glare protection and privacy protection up to a maximum valance height of 210 cm
- Only possible with gear drive, only extend and retract the Valance Plus with the telescopic post cranked up
- Valance Plus use up to a Plaza Viva pitch of 4° to 20°.

- Not possible in combination with integrated LED lighting
- Can be combined optionally with the LED Design light bar
- Valance Plus cannot be retrofitted
- With Valance Plus, the fabric support roller is always mounted above the side channel

Please note: the Valance Plus should be extended and retracted slowly to guarantee that the fabric winds up neatly.



Plaza Viva Valance Plus with gear drive



Plaza Viva Valance Plus – with retracted Valance Plus (left) and slightly extended Valance Plus (right)

Paravento option – the stylish side awning



The Paravento side screen is the perfect complement to the Plaza Viva pergola awning.

- Protects against cool side winds
- Shelters from prying eyes
- Heights of up to 250 cm and projections of up to 400 cm
- Easy to retrofit by attaching it to the Plaza Viva posts, a separate pole or a wall

Plaza Viva – textile pergola awning

Fixed post: determining the patio depth (T) and projection (B)

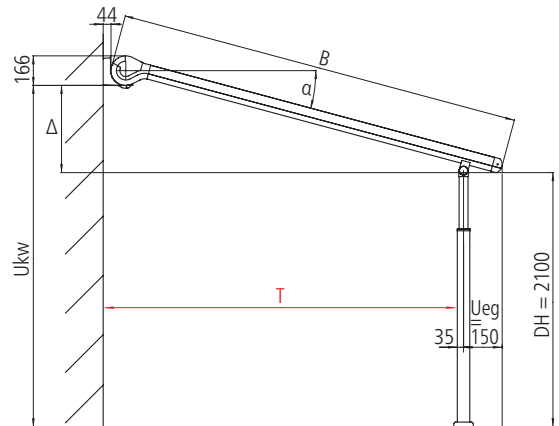
The patio depth (T) and projection (B) as well as installation height and delta using the example of the angle

of pitch 4°, 5°, 10°, 14°, 20° and 25° can be determined using the following tables.

Determining the patio depth (T) (up to inside edge of post)

Angle of pitch (α)	Projection (B) in mm					
	2500	3000	3500	4000	4500	5000
4°	2355	2854	3353	3851	4350	4849
5°	2352	2850	3348	3846	4344	4842
10°	2326	2819	3311	3804	4296	4788
14°	2294	2779	3265	3750	4235	4720
20°	2224	2693	3163	3633	4103	4573
25°	2146	2599	2923	3506	3959	4412

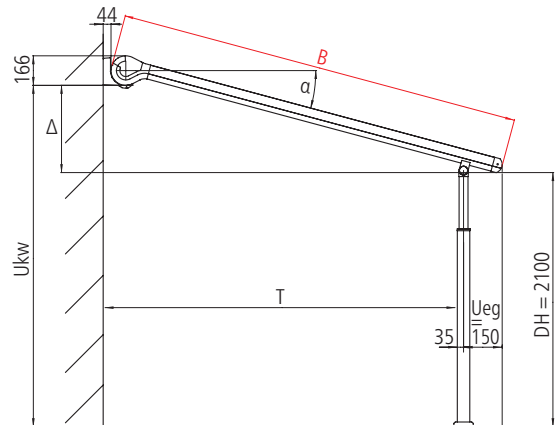
Patio depth (T) in mm (rounded figures)



Determining the projection (B)

Angle of pitch (α)	Patio depth (T) in mm					
	2500	3000	3500	4000	4500	5000
4°	2645	3147	3648	4149	4650	
5°	2649	3151	3653	4155	4657	
10°	2676	3184	3692	4200	4707	
14°	2712	3227	3743	4258	4773	
20°	2794	3326	3859	4391	4923	
25°	2890	3442	3994	4546		

Projection (B) in mm (rounded figures)

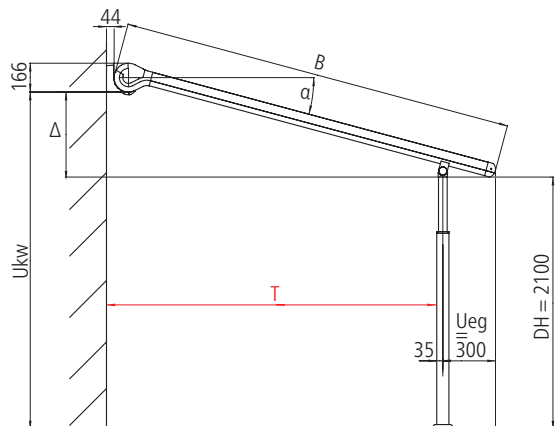


Telescopic post: determining the patio depth (T) and projection (B)

Determining the patio depth (T) (up to inside edge of post)

Angle of pitch (α)	Projection (B) in mm					
	2500	3000	3500	4000	4500	5000
4°	2225	2724	3223	3721	4220	4719
5°	2222	2720	3218	3716	4214	4712
10°	2196	2689	3181	3674	4166	4658
14°	2164	2649	3135	3620	4105	4590
20°	2094	2563	3033	3503	3973	4443
25°	2016	2469	2923	3376	3829	4282

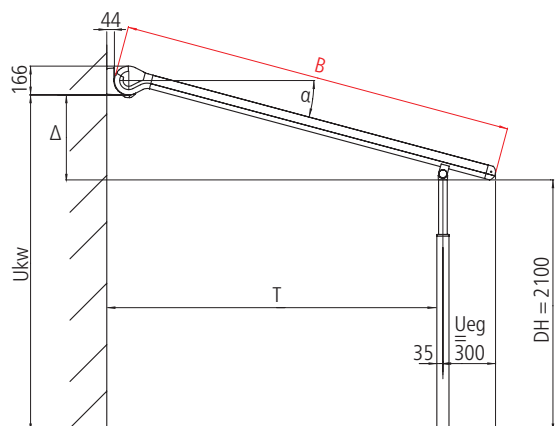
Patio depth (T) in mm (rounded figures)



Determining the projection (B)

Angle of pitch (α)	Patio depth (T) in mm					
	2500	3000	3500	4000	4500	5000
4°	2776	3277	3778	4279	4781	
5°	2779	3281	3783	4285	4787	
10°	2808	3316	3824	4332	4839	
14°	2846	3361	3877	4392	4907	
20°	2933	3465	3997	4529		
25°	3034	3586	4137	4689		

Projection (B) in mm (rounded figures)

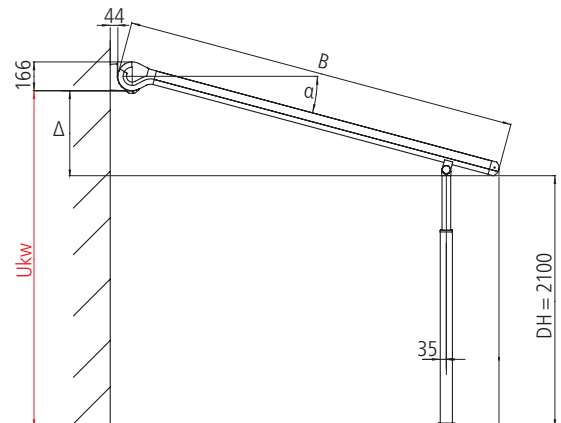


Telescopic post and fixed post: determining the installation height (Ukw) and delta (Δ)

Determining the installation height (wall bracket bottom edge (Ukw))

Angle of pitch (α)	Projection (B) in mm					
	2500	3000	3500	4000	4500	5000
4°	2202	2237	2272	2307	2342	2377
5°	2244	2288	2332	2375	2419	2462
10°	2452	2539	2625	2712	2799	2886
14°	2615	2736	2857	2978	3099	3220
20°	2854	3025	3196	3367	3539	3710
25°	3047	3258	3470	3681	3892	4104

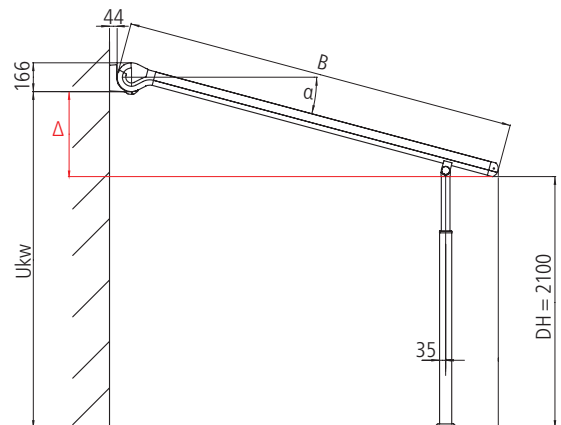
Wall bracket bottom edge installation height (Ukw) in mm (rounded figures)



Determining the delta: difference between the wall bracket bottom edge (Ukw) and head clearance height (DH)

Angle of pitch (α)	Projection (B) in mm					
	2500	3000	3500	4000	4500	5000
4°	102	137	172	207	242	277
5°	144	188	232	275	319	362
10°	352	439	612	612	699	786
14°	515	636	878	878	999	1120
20°	754	925	1267	1267	1439	1610
25°	947	1158	1370	1581	1792	2004

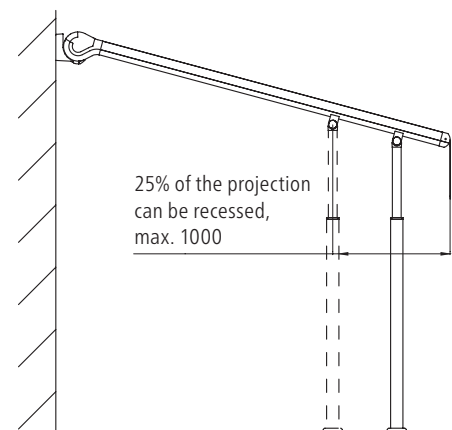
Delta (Δ) in mm (rounded figures)



Telescopic post and fixed post: recess measurement

The posts can be recessed (moved inwards) by up to approx. 25% of the projection and a maximum of 1000 mm.

Installation tolerances are specified made-to-order on the installation sheet.



Important:

- Plaza Viva with fixed post: there is no risk of pooling from a pitch of 14°
- Plaza Viva with telescopic post: there is no risk of pooling from a pitch of 4° and with fully lowered post

Legend:

- B = projection
- α = angle of inclination (roof pitch)
- Ukw = wall bracket bottom edge
- Δ = height difference (Ukw – DH)
- T = patio depth
- Ueg = straight overhang
- DH = head clearance height

Plaza Viva – textile pergola awning

BiConnect remote control



BiEasy 1M

BiEasy 5M



BiEasy 15M
with display

BiEasy App

weinor BiConnect – control for awning, light and heating

The Plaza Viva comes as standard with one drive and can optionally be controlled using the pre-programmed BiEasy remote control.

There are hand transmitters with different numbers of channels: choose from 1, 5 or 15 channels with a display.



weinor BiEasy hand transmitter

- Operationally safe thanks to protected transmission frequency (868 MHz)
- Attractive and convenient design

BiRec Remote receiver

- Various remote-controlled receivers depending on function combinations
- To suit awning fittings – e.g. to extend and retract the awning or dim the lights

Sun and sun/wind sensors – automatic heat and product protection (option)

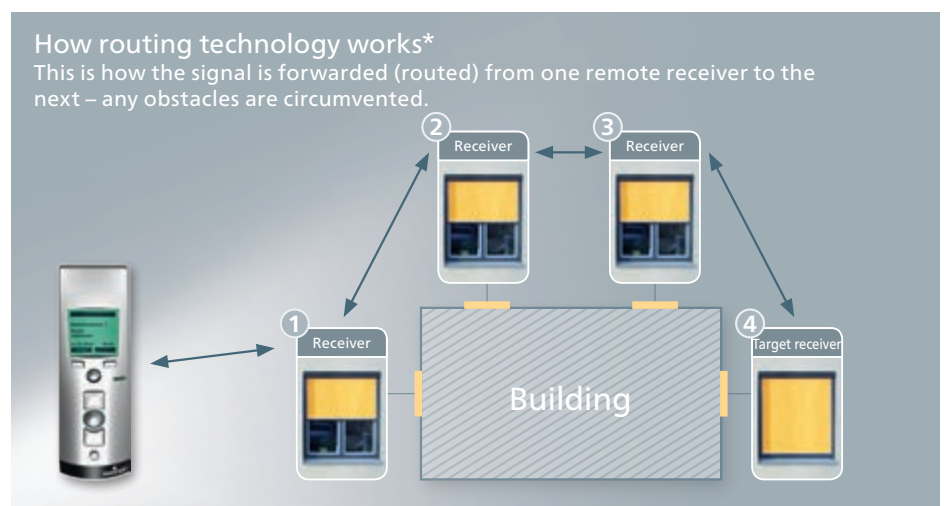
The BiConnect series remote sensors automatically extend the Plaza Viva when the sun shines and reliably retract it in case of wind or cloud. We do not advise using sensors with the Valance Plus option and/or telescopic posts.

BiEasy APP

Please see technical brochure "Accessories" for further information.

State-of-the-art routing technology

The new BiConnect radio control transmits bidirectional signals and is very reliable thanks to its ultra-modern routing technology. In this case, the BiEasy handheld transmitter sends a radio signal to an active receiver within its range. The signal is then forwarded from one receiver to the next until it reaches the target receiver – and all this occurs in a second.



* Very simplified illustration

↔ = Routing signal and feedback signal

BiConnect remote control



Installation location for receiver, power supply pack and further electrical components

The BiConnect receiver is accommodated in the cassette. The faceplate (not shown here) can be really easily opened for servicing purposes. The receiver is then easily accessible.

① The cover can be opened for servicing purposes, e.g. to disconnect the drive from the control components (only BiConnect).

BiRec receiver



BiRec MA-K
remote receiver for drive control



BiRec MLED
Combi-remote-receiver for main drive and LED with integrated power supply pack in cassette

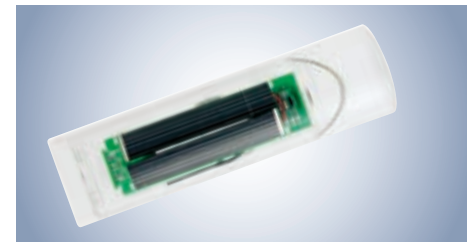
BiSens sensors*



BiSens SW-230 V
Sun, wind sensor with power connection



BiSens SW-Solar
Sun and wind sensor with solar operation (not suitable for units used as privacy protection)



BiSens SUN-Solar
Sun sensor solar operation

* We do not recommend any sensors when using telescopic posts and/or the Valance Plus. Nevertheless, if sensors are used, the Valance Plus or telescopic posts may only be used if the sensors are switched to manual operation.

Product	Equipment		Remote receiver	Hand transmitter
Plaza Viva	Drive		BiRec MA-K	BiEasy 1M/1MW-3V
	Drive	+ Heating (option)	BiRec MA-K; BiRec HD	BiEasy 5M/15M/App
Plaza Viva LED	Drive	+ LED light	BiRec MLED	BiEasy 5M/15M/App
	Motor	+ LED light + Heating (option)	BiRec MLED; BiRec HD	BiEasy 5M/15M/App
Plaza Viva Valance Plus	Drive	+ Valance Plus*	BiRec MA-K	BiEasy 5M/15 M
	Drive	+ Valance Plus* + Heating (option)	BiRec MA-K + BiRec HD or BiRec On/Off	BiEasy 5M/15 M

* Valance Plus only available with gear drive and cannot be combined with the LED version

Product	BiConnect
Plaza Viva drive	Receiver integrated into cassette
LED lighting	Dimmable, combi-remote-receiver for main drive and LED with integrated power supply pack in cassette
Valance Plus option	<ul style="list-style-type: none"> • Only available with gear drive • Not dimmable, additional receiver required (BiRec On/Off)
Tempura/Tempura Quadra heating	<ul style="list-style-type: none"> • Additional receiver required for fine-tuned dimming (BiRec HD) • Installation of the receiver in the design bar provided for this purpose (Tempura Universal) • Receiver can be integrated in the base (Tempura Quadra)

Plaza Viva – textile pergola awning

Somfy RTS radio technology



Telis 1
RTS Pure

Telis 4
RTS Pure

Telis Soliris
RTS Pure

Telis 4 Soliris
RTS Pure

Somfy RTS

Alternatively, the Plaza Viva can also be controlled with Somfy RTS.

Somfy RTS

Since RTS works unidirectionally, no feedback is given on the status of the units. The radio control system runs on a frequency of 433.42 MHz.



Smoove 1 RTS
Pure Shine

Chronis RTS smart



Somfy RTS radio technology



Installation location Somfy RTS receiver (for LED)

The Somfy RTS receiver is accommodated in the cassette and can therefore be easily replaced in case of service.

Somfy RTS receiver (for LED)



Lighting Slim Receiver RTS
Remote receiver for LED control

Somfy RTS sensor*



Soliris Sensor RTS
Wind and sun sensor with mains connection

* We do not recommend any sensors when using telescopic posts and/or the Valance Plus. Nevertheless, if sensors are used, the Valance Plus or telescopic posts may only be used if the sensors are switched to manual operation.

Product	Equipment			Remote receiver	Hand transmitter
Plaza Viva	Drive			integrated in the remote-controlled motor	Telis 1 RTS Pure/Telis 1 Soliris RTS Pure/ Smoove 1
	Drive		+ Heating (option)	Heating Slim Receiver RTS Plug	Telis 4 RTS Pure/Telis 4 Soliris RTS Pure
Plaza Viva LED	Drive	+ LED light		Lighting Slim Receiver RTS	Telis 4 RTS Pure/Telis 4 Soliris RTS Pure
	Drive	+ LED light	+ Heating (option)	Lighting Slim Receiver RTS; Heating Slim Receiver RTS Plug	Telis 4 RTS Pure/Telis 4 Soliris RTS Pure
Plaza Viva Valance Plus	Drive	+ Valance Plus*		integrated in the remote-controlled motor	Telis 4 RTS Pure/Telis 4 Soliris RTS Pure
	Drive	+ Valance Plus*	+ Heating (option)	integrated in remote-controlled motor; Heating Slim receiver RTS Plug	Telis 4 RTS Pure/Telis 4 Soliris RTS Pure

* Only available with gear drive

Note: Plaza Viva Valance Plus is not available in combination with LED

Product	Somfy RTS
Plaza Viva LED drive	Radio-receiver integrated in the RTS remote-controlled motor
LED lighting	<ul style="list-style-type: none"> • Not dimmable • Additional receiver Lighting Slim Receiver RTS (with downstream power supply pack) • Integration in the cassette
Valance Plus option	<ul style="list-style-type: none"> • Only available with gear drive
Tempura/Tempura Quadra heating	<ul style="list-style-type: none"> • Receiver integrated in additional design bar • Not dimmable, additional external receiver required Heating Slim Receiver RTS Plug

Plaza Viva – textile pergola awning

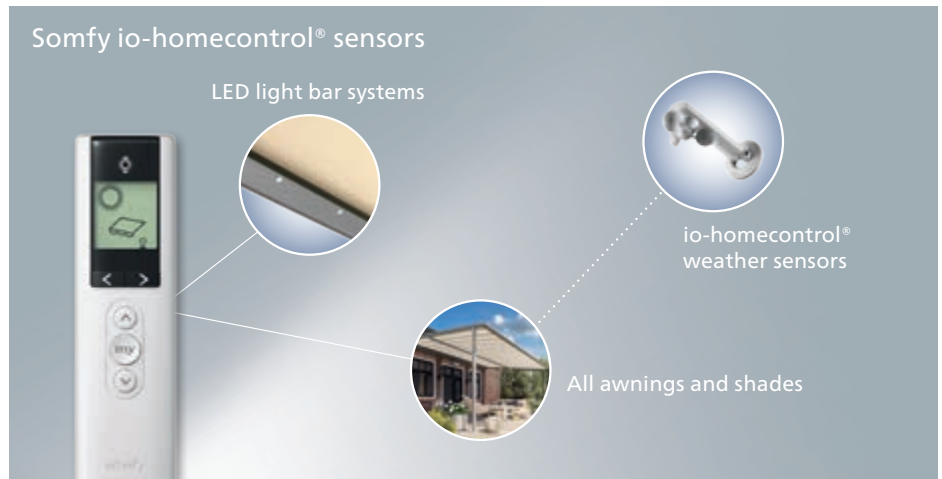
Somfy io-homecontrol® radio technology



Situo 5 io Easy Sun io Smoove 1 io Pure Shine

io-homecontrol® allows every convenience and security feature to be combined into one network and be controlled using a single remote

transmitter. The expandable system can also incorporate any new products that are added.



Somfy io-homecontrol® sensor*



Sunis WireFree io Sensor Box io
Radio sun sensor Communication unit

Somfy io-homecontrol® receiver



Lighting Receiver io

Installation location for Somfy Lighting receiver io

The Somfy receiver is accommodated in the cassette and can be therefore easily replaced in case of service (see page 23).

* We do not recommend any sensors when using telescopic posts and/or the Valance Plus. Nevertheless, if sensors are used, the Valance Plus or telescopic posts may only be used if the sensors are switched to manual operation.

Product	Equipment	Remote receiver	Hand transmitter
Plaza Viva	Drive	integrated in the remote-controlled motor	Situo 1 or 5 io Smoove 1 io Pure Shine
Plaza Viva LED	Drive + LED light	Lighting Receiver io	Easy Sun io
Plaza Viva Valance Plus*	Motor	integrated in the remote-controlled motor	Situo 1 or 5 io Smoove 1 io Pure Shine

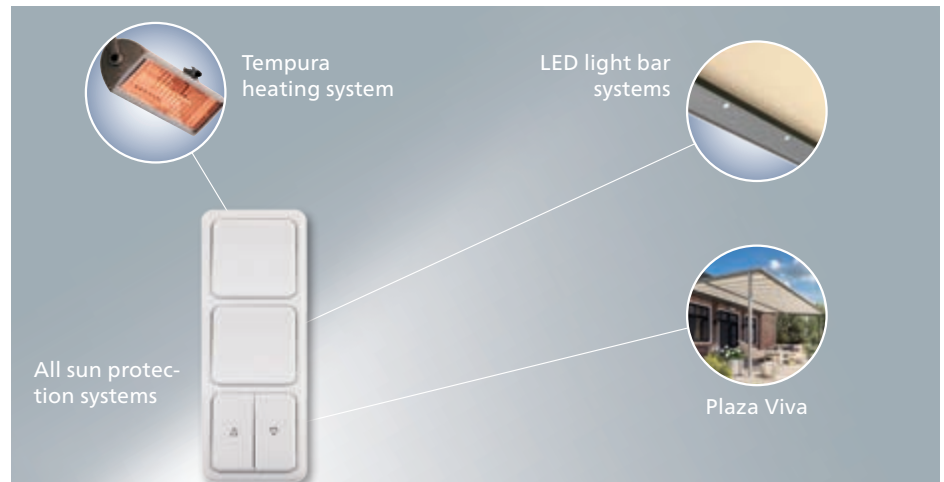
* Only available with gear drive

Product	Somfy io-homecontrol®
Plaza Viva drive	Receiver integrated in the io-remote-controlled motor
LED lighting	<ul style="list-style-type: none"> • Not dimmable • Additional receiver lighting receiver io (with downstream power supply pack) • Integration in the cassette
Valance Plus option	Only available with gear drive
Tempura/Tempura Quadra heating	unavailable

weinor hard wired (existing power supply/switch)



A hard wired control makes sense in the case of existing power cables or sources of interference for radio control.



Product	weinor firmly wired (commutator/control on site)
Plaza Viva drive	<ul style="list-style-type: none"> • No receiver required • Switch/power supply or control on site
LED lighting	<ul style="list-style-type: none"> • Not dimmable • Switch/power supply on site
Valance Plus option	Only available with gear drive
Tempura/ Tempura Quadra heating	<ul style="list-style-type: none"> • Not dimmable • Switch/power supply on site



Power supply pack for option LED

Power supply pack for option LED (firmly wired)

The power supply pack provides the voltage and current intensity required to operate the LED. It is only necessary for the LED option.

Position of the power supply pack	Product
in the cassette	Plaza Viva LED Plaza Viva LED OptiStretch
no power supply pack necessary	Plaza Viva Plaza Viva OptiStretch



Installation location for power supply pack for option LED

The power supply pack is located in the cassette and is easily accessible. The installation location is not required for drives without LED options and remains empty.

Plaza Viva – textile pergola awning

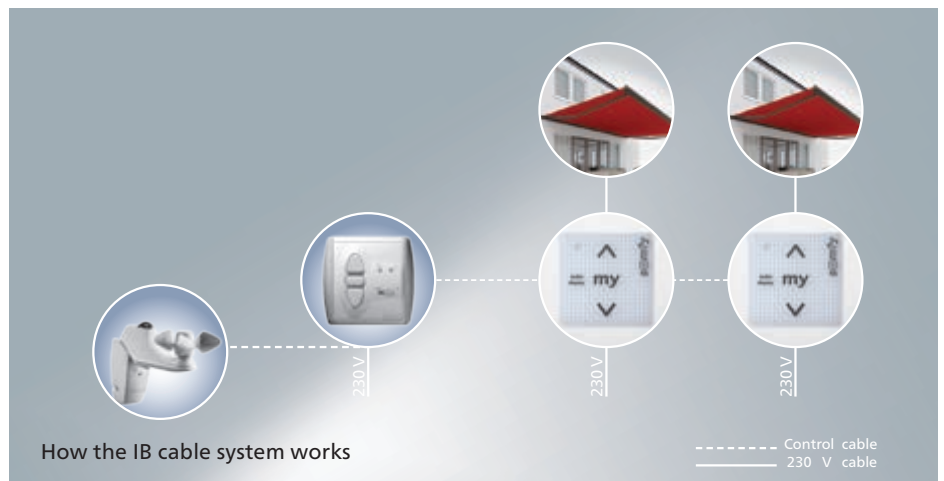
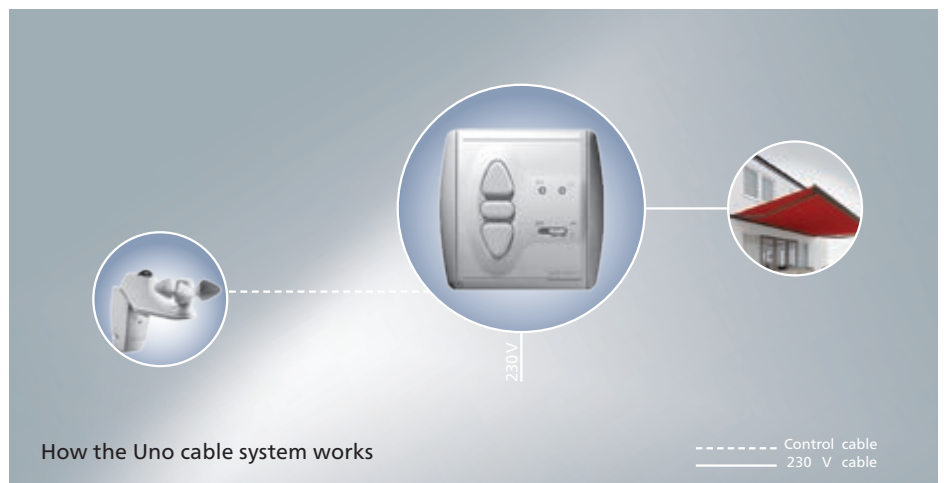
weinor firmly wired with Somfy control



Control unit + sensor Uno/IB

Smoove Uno IB + Pure Shine

For the hard wired version, a Somfy switch and weather sensor can be supplied with the awning.

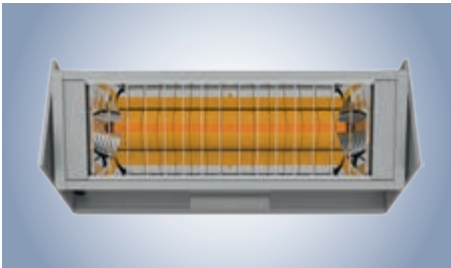


Product	weinor firmly wired with Somfy control
Plaza Viva drive	No receiver required
LED lighting	<ul style="list-style-type: none"> • Not dimmable • Integration of the power supply pack in the cassette • Switch/power supply on site
Valance Plus option	Only available with gear drive
Tempura/ Tempura Quadra heating	<ul style="list-style-type: none"> • Not dimmable • Switch/power supply on site

Plaza Viva heating and accessories



Tempura Universal



Tempura Quadra Universal

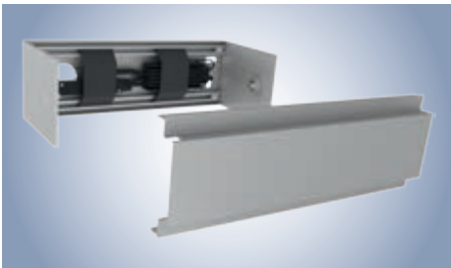
Tempura/Tempura Quadra Universal heating system (option)

Tempura, the energy-efficient infra-red heating system convinces with heat output of 1,500 watt in a tiny housing.

- Instant heat: no warm-up time
- Turn as required for targeted warmth
- Can be optionally operated via radio control (only possible with BiConnect and Somfy RTS)
- Splash protection

- Comes in 47 standard frame colours plus 9 scratch-proof, resistant trend colours with a smart, textured look
- Optional: 150 special RAL colours
- Universal bracket makes it easy to retrofit (mounted to the wall)
- TÜV tested
- With the Tempura Quadra, the radio elements can be integrated in the housing

Housing of radio elements



Tempura Quadra Universal



Tempura Universal

While the remote receiver with the Tempura Universal is housed in the design bar, they can be integrated into the base with the Tempura Quadra Universal.



BiRec On/Off
Remote receiver to switch the heater on and off



BiRec HD
Radio receiver for the fine-tuned dimming of the heater

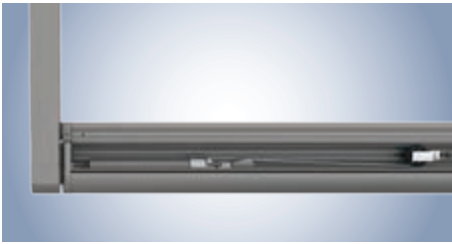


Heating Slim Receiver Somfy RTS Plug
Remote receiver for heating control (not dimmable)

Plaza Viva – textile pergola awning

The Stretch and OptiStretch system in comparison

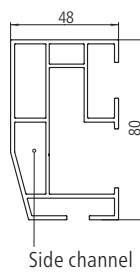
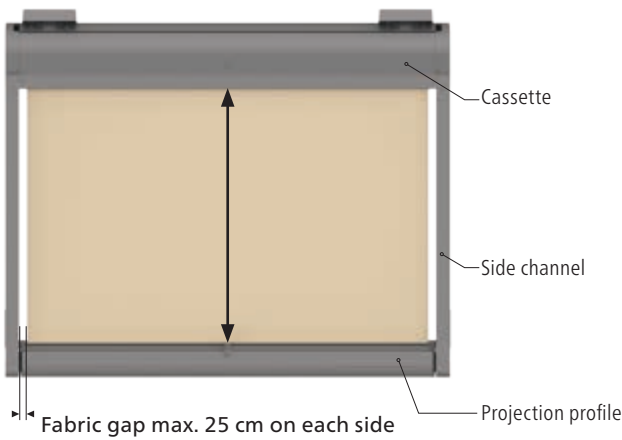
Plaza Viva Stretch and OptiStretch



The **Plaza Viva Stretch** and **OptiStretch** consist of identical frame constructions and use the same tried and tested weinor tension system with a new flat rope that winds up extremely quietly. The fabric guide is the difference between the two systems. In the Stretch System, the fabric is

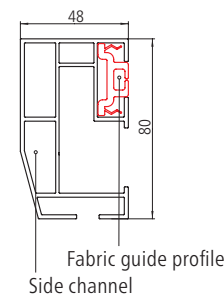
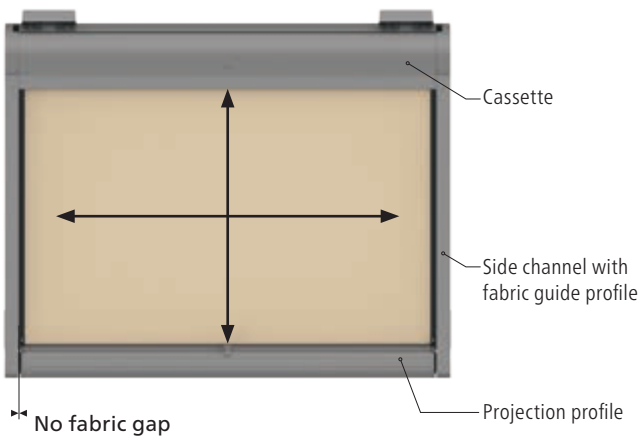
tensioned between the fabric roller bearing and the projection profile in the ascending direction, while in the OptiStretch, the fabric is additionally guided sideways in the guide rail. The OptiStretch thus achieves a significantly higher degree of fabric tensioning.

The Stretch system



- Held captive on 2 sides
- Inexpensive
- Easy installation
- Fabric gap up to 25 mm
- Good fabric tautness also for Soltis® fabrics

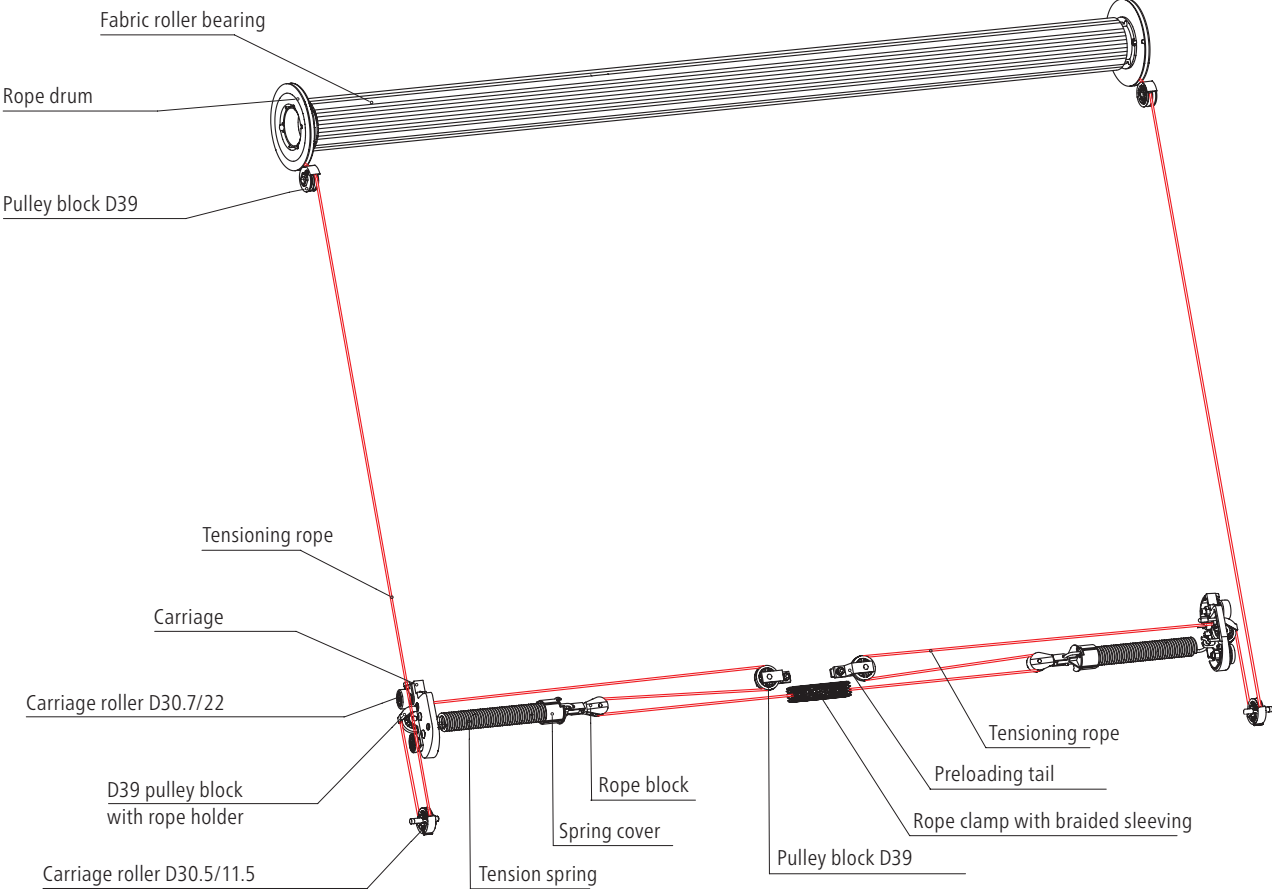
The OptiStretch system



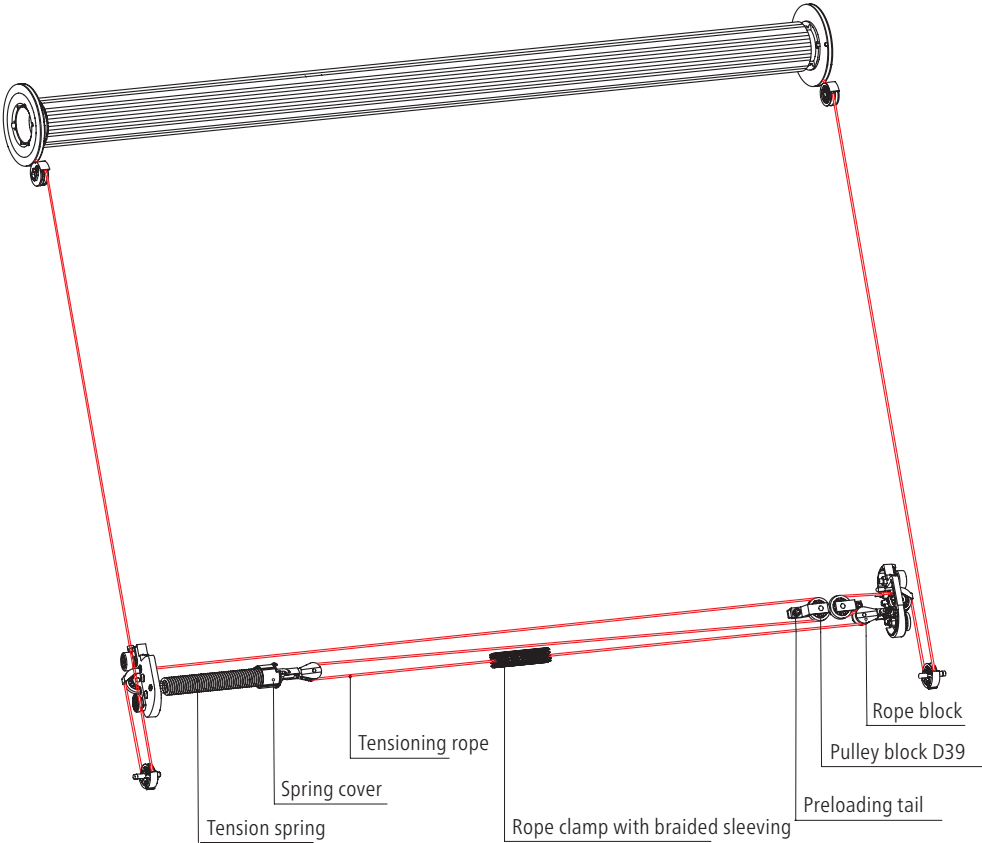
- Held captive on 4 sides
- No edges hanging down the sides
- No light gap
- Soltis® fabrics are not available for the OptiStretch version

Tension system

Tension system with 2 tensioned springs (number of springs depends on the projection and width)



Tension system with 1 tensioned spring (depends on projection and length of spring)

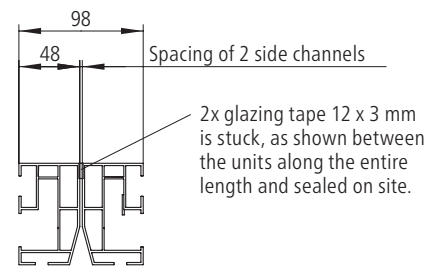


Plaza Viva – textile pergola awning

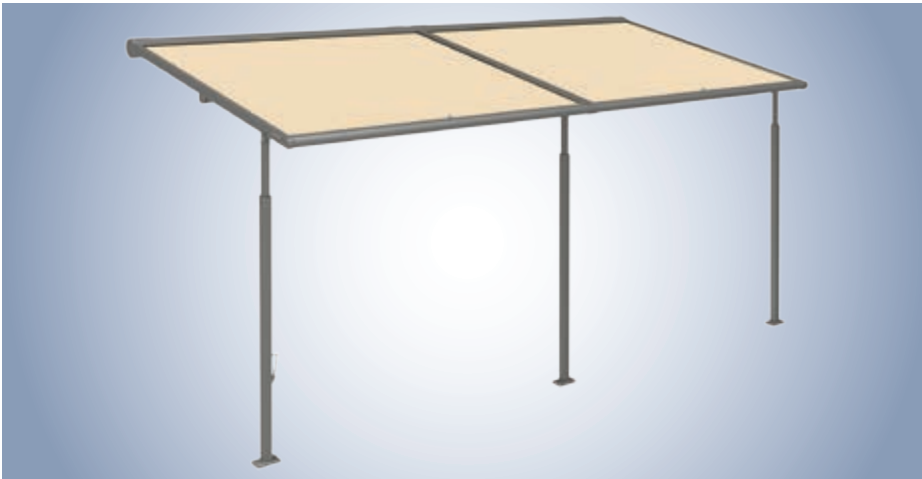
Multi-section units

The maximum size of a Plaza Viva is 6000 x 5000 mm. Wider systems can be extended easily to become a multi-section unit by placing single-unit systems next to each other. The single-unit systems installed next to each other have a separate

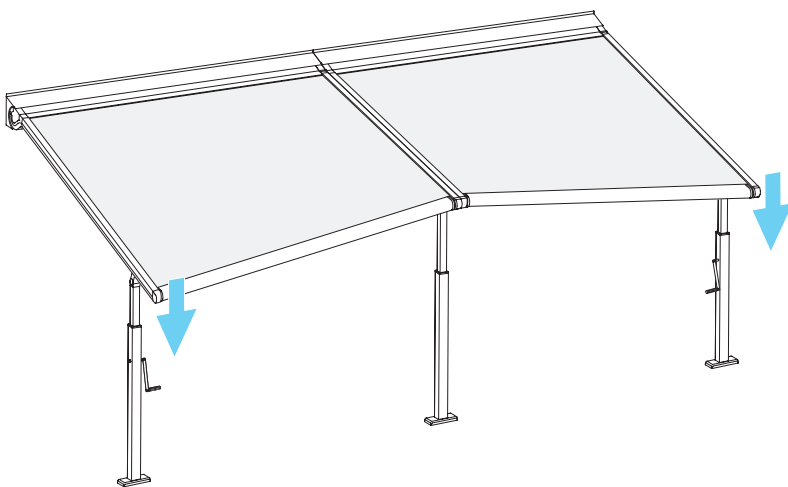
motor drive and can thus be retracted and extended separately. The telescopic post can only be used on the right and left but not in the centre.



Sealing multi-section units



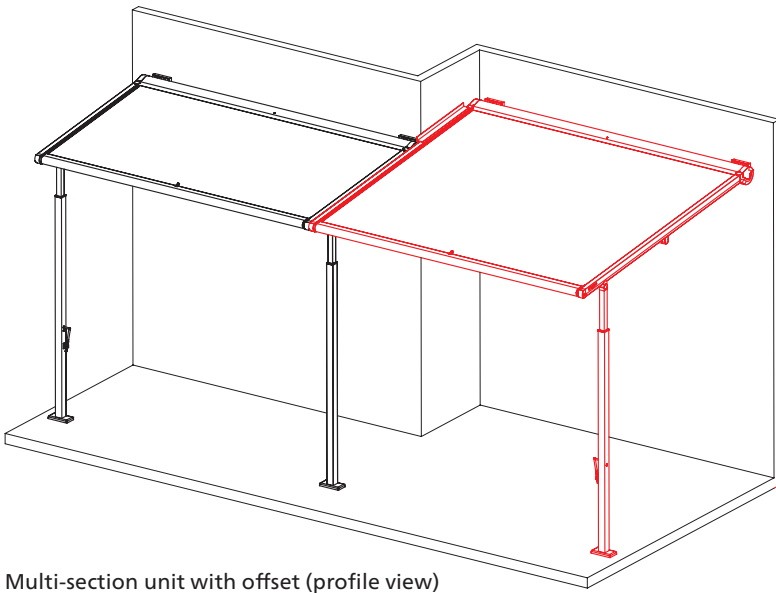
Multi-section unit



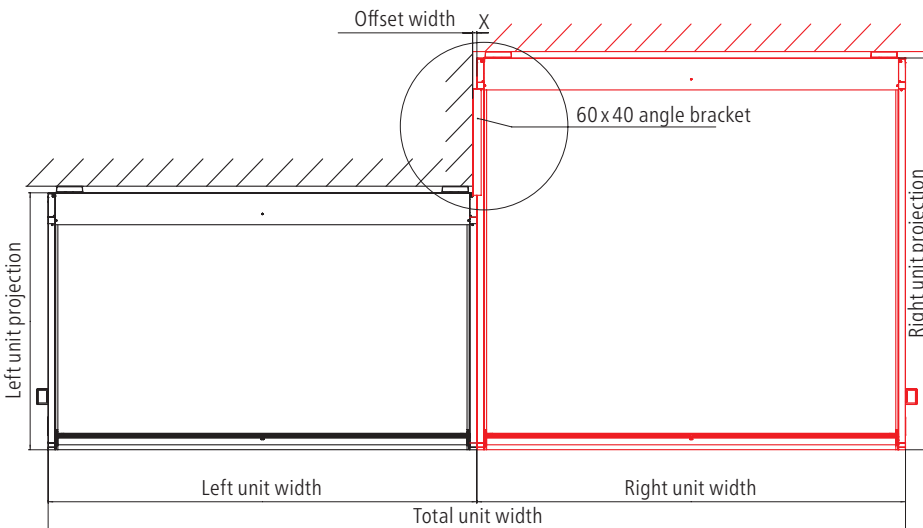
Multi-section unit with telescopic post on right and left

Multi-section units with wall offset

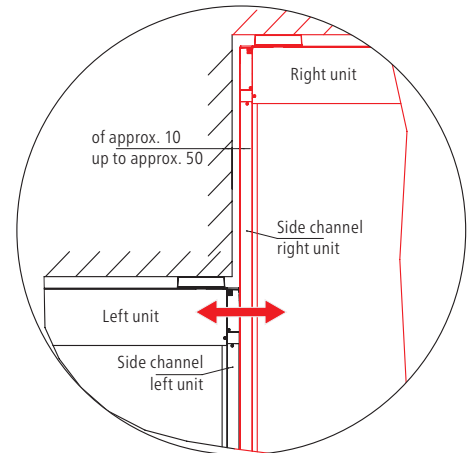
On request, various offset versions can be produced (e.g. wall offset).



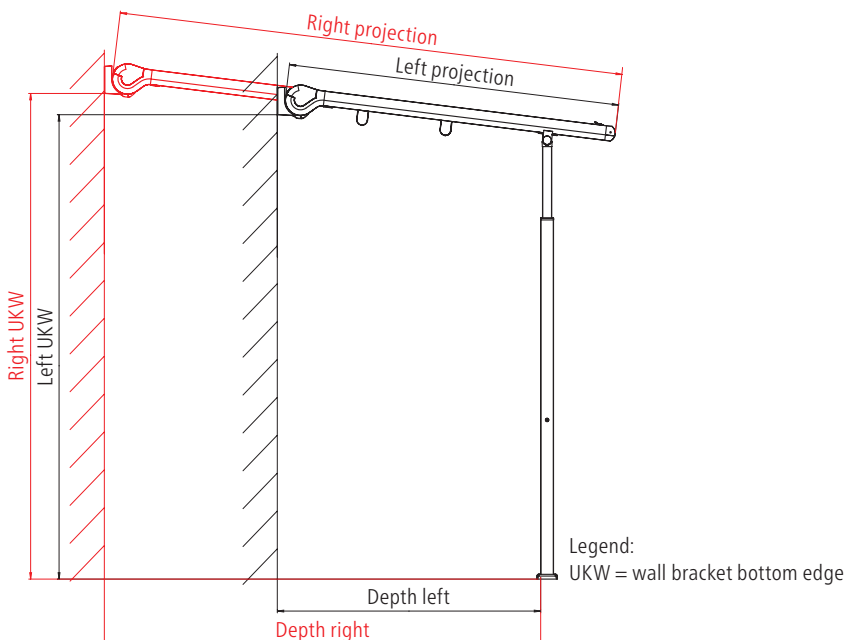
Multi-section unit with offset (profile view)



Multi-section unit with offset (top view)



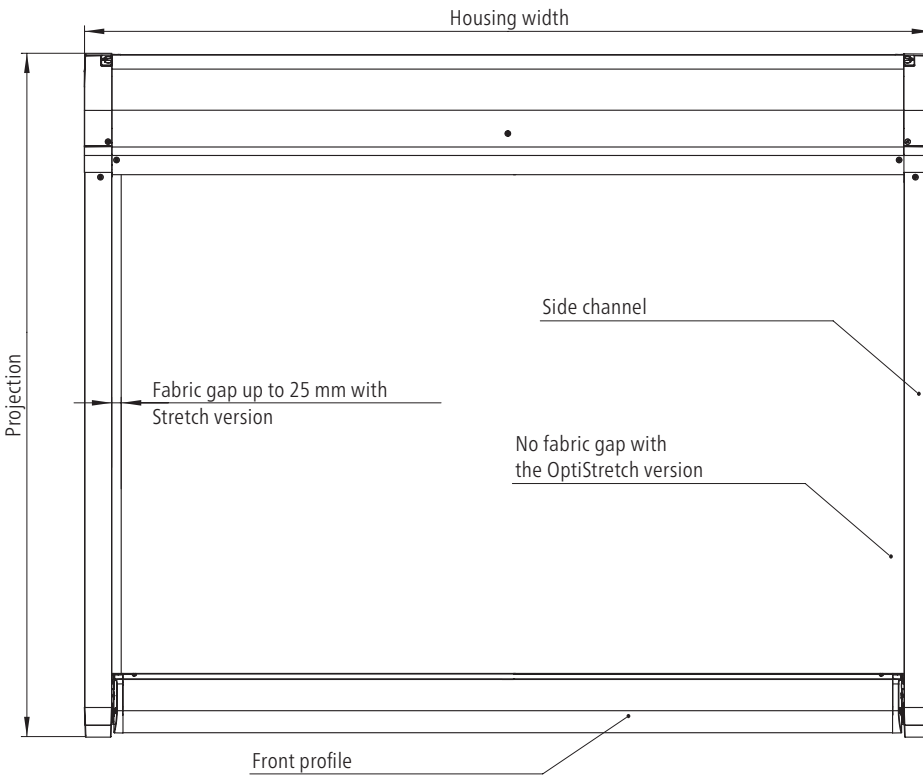
The gap (10–50 mm) between wall offset and system can be covered with an angle optionally. The gap between wall and cassette can be optionally covered by a wall-mounted roof profile as well (see page 16).



Multi-section unit with offset (profile view)

Plaza Viva – textile pergola awning

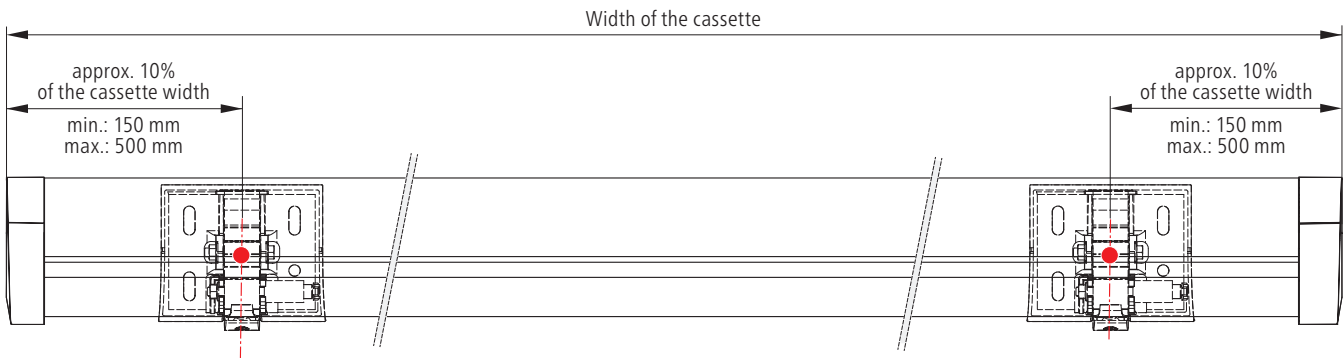
Full view of Plaza Viva unit overview



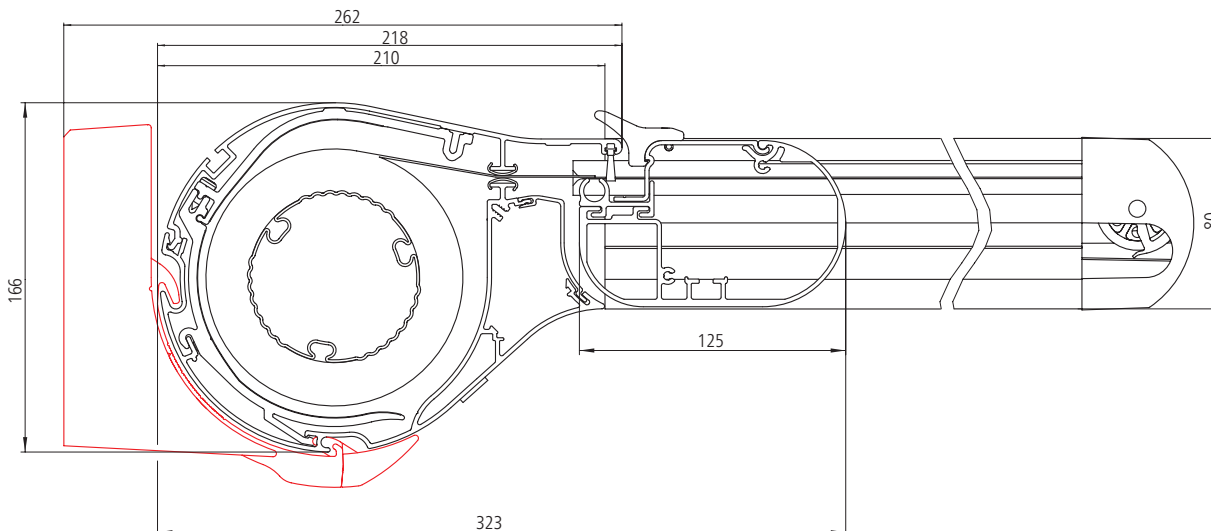
Top view of Plaza Viva Stretch
The fabric gap at the side is up to 25 mm in the Stretch version, depending on the cassette width and the projection.

There is no fabric gap in the OptiStretch version.

Position of fixing brackets

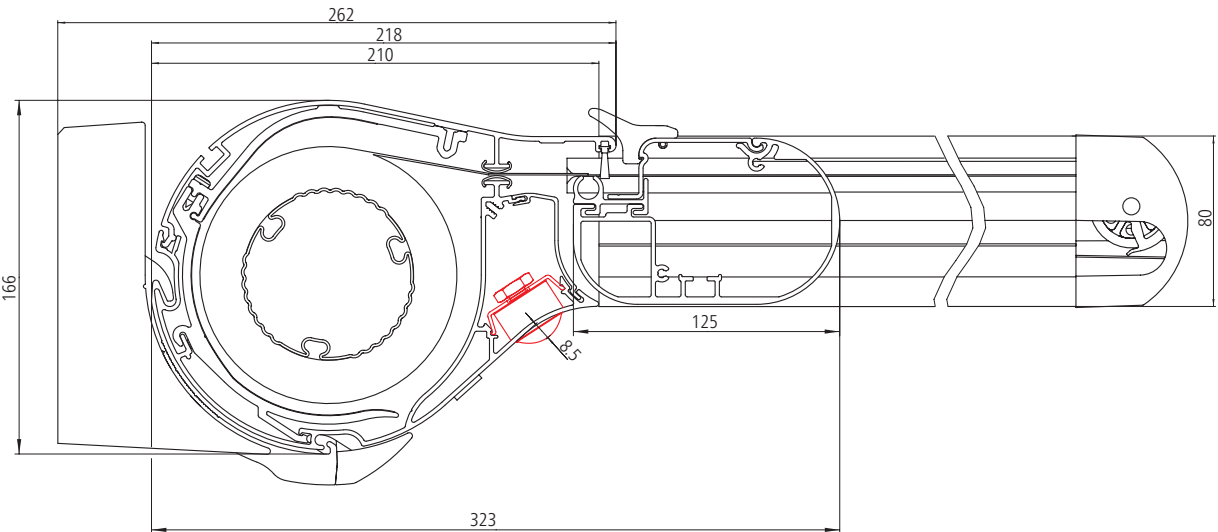


Plaza Viva cross sections and dimensions

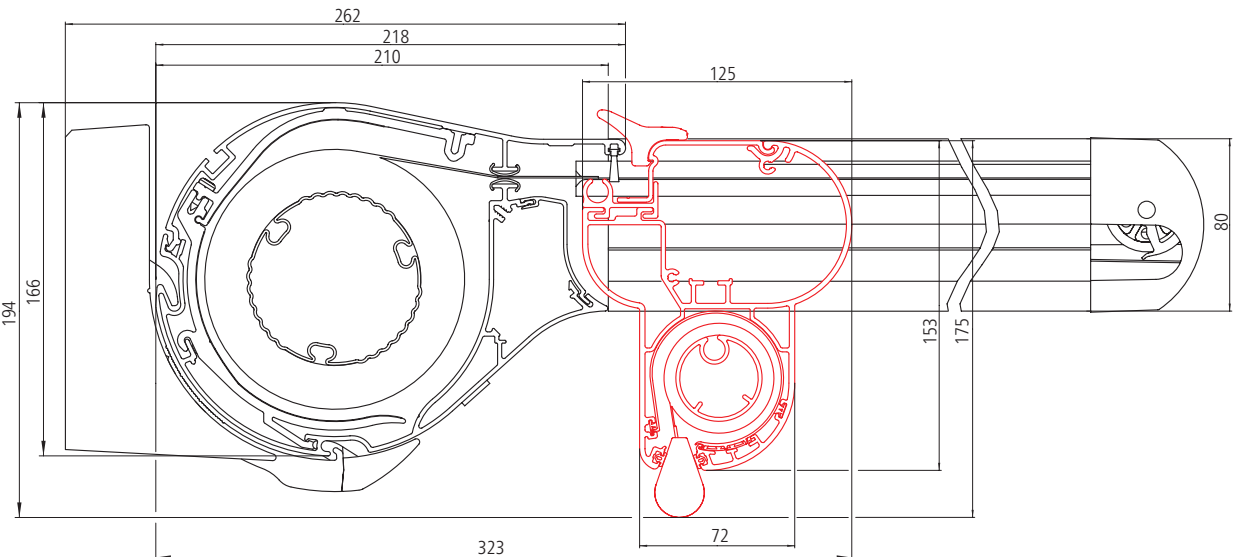


Overview of Plaza Viva unit cross sections

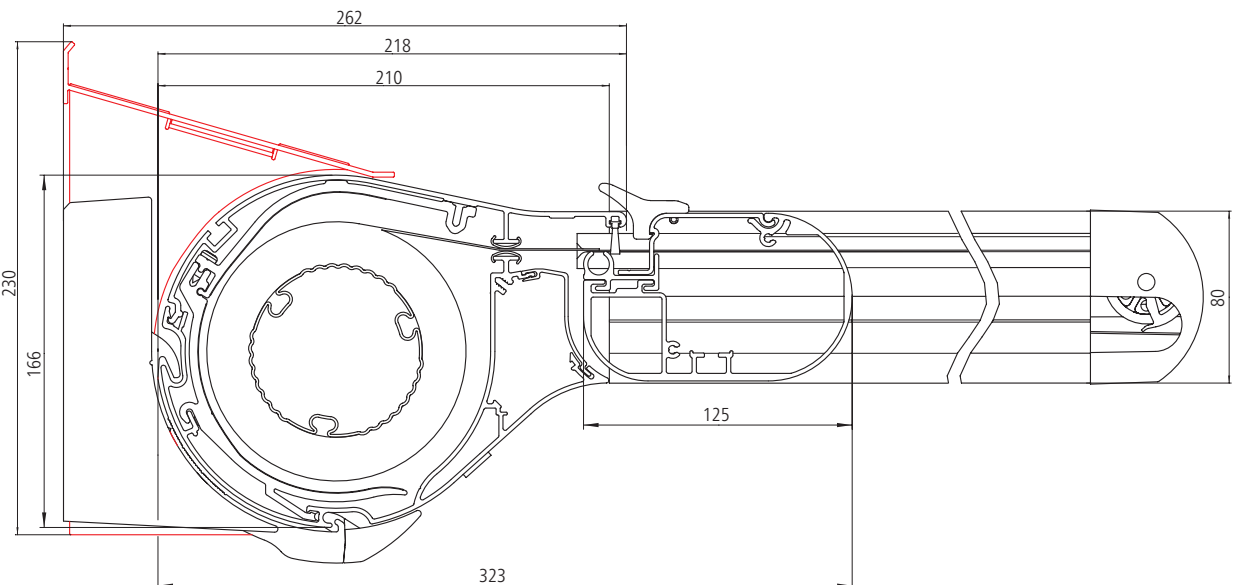
Plaza Viva LED cross sections and dimensions



Plaza Viva Valance Plus cross sections and dimensions



Plaza Viva with wall connection roof cross sections and dimensions



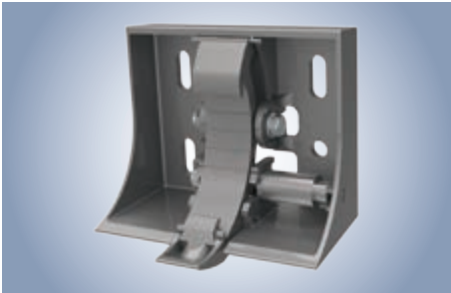
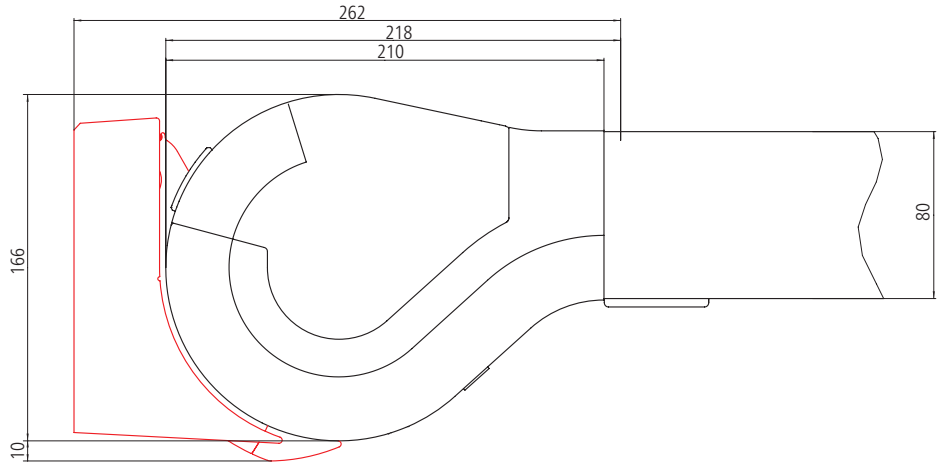
Plaza Viva – textile pergola awning

Plaza Viva installation

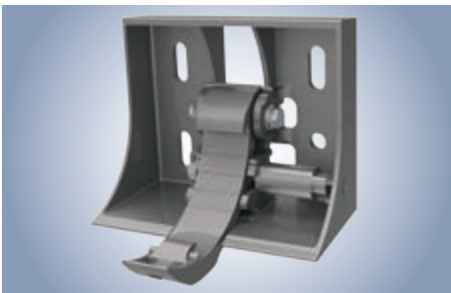
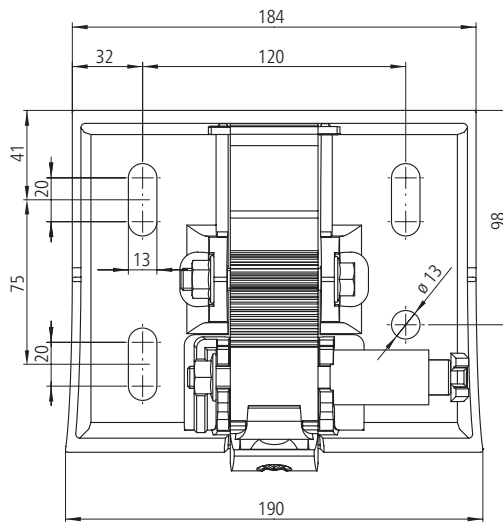
Wall mounting



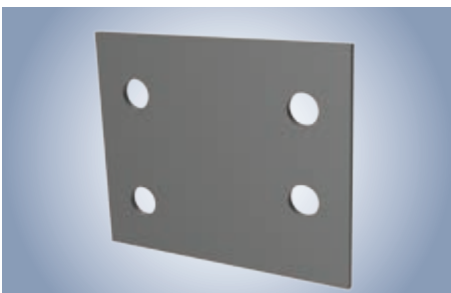
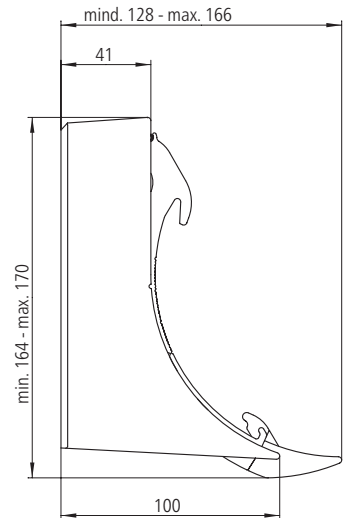
Wall bracket



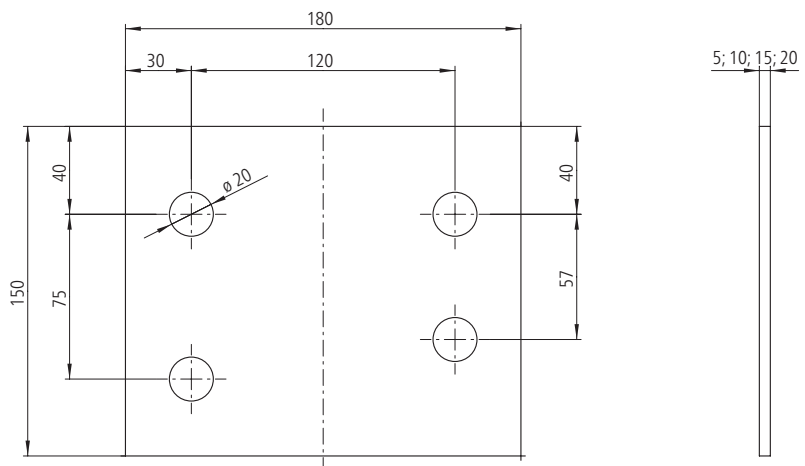
Wall bracket (fixed view)



Wall bracket (floating view)

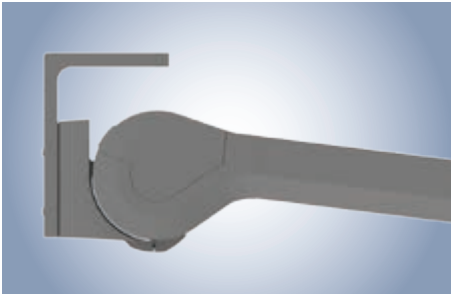


Wall bracket base plate



Plaza Viva installation

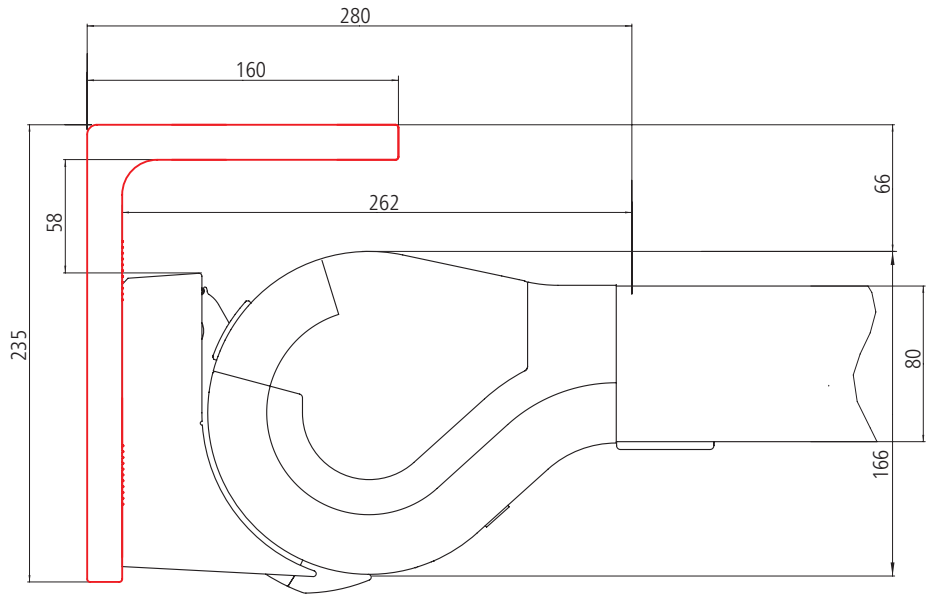
Ceiling mounting



235 x 160 x 18 x 180 mm roof mounting with angle bracket, complete



235 x 160 x 18 x 180 mm angle bracket, complete (roof mounting)



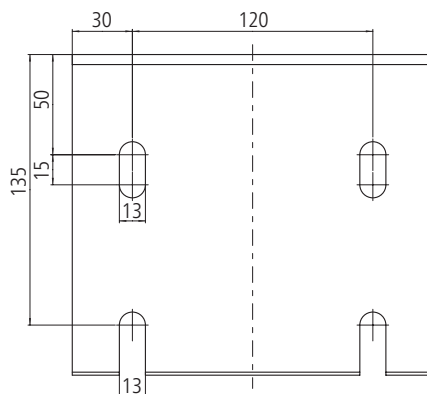
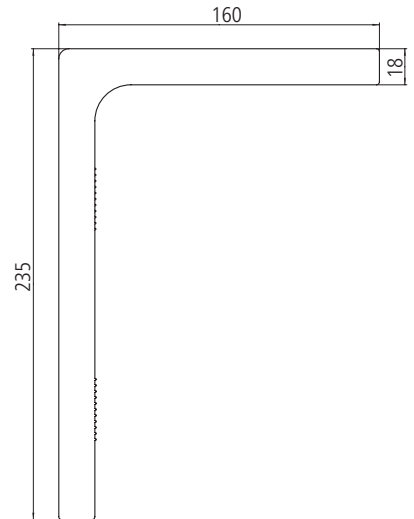
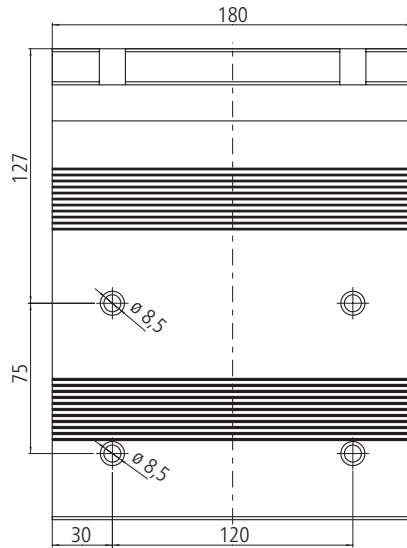
Ceiling angle



Possible use on roof



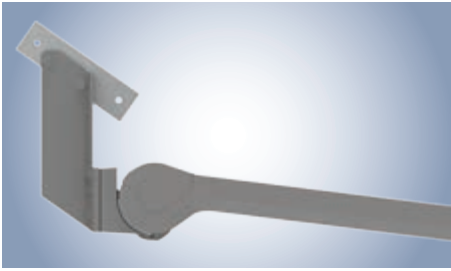
View from front and rear of ceiling bracket



Plaza Viva – textile pergola awning

Plaza Viva installation

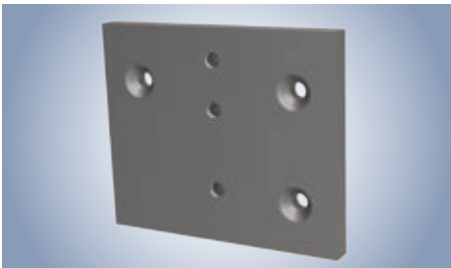
Rafter bracket installation



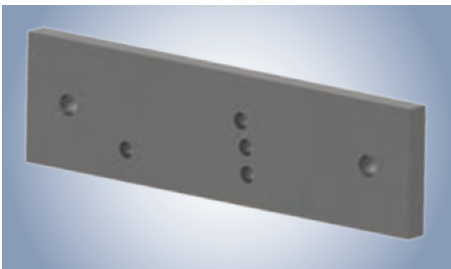
Rafter bracket



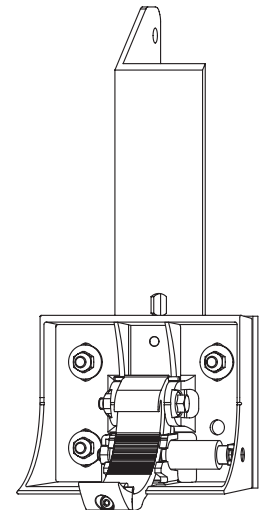
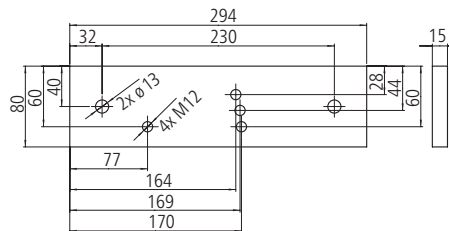
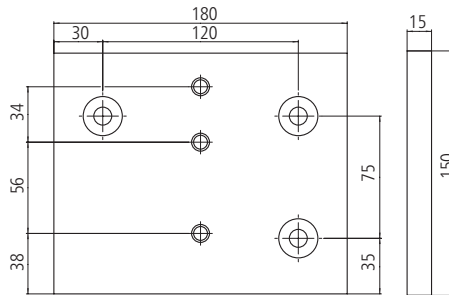
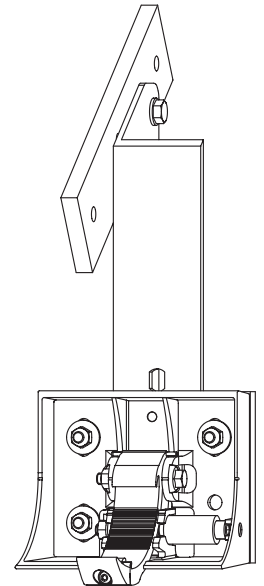
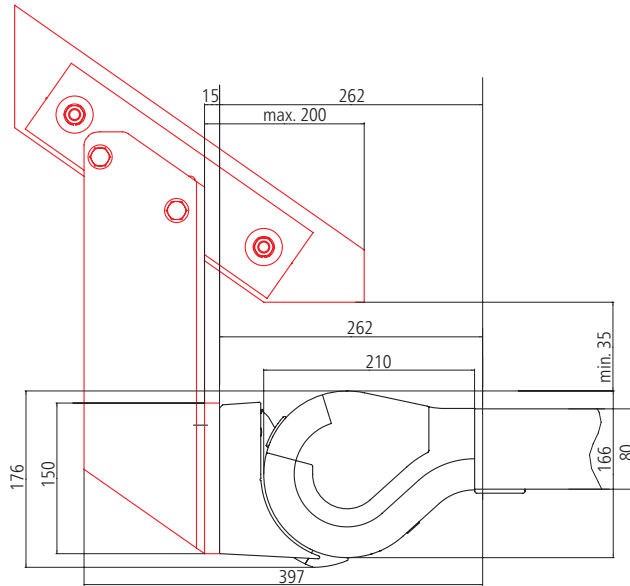
Rafter bracket with mounting plate and wall bracket



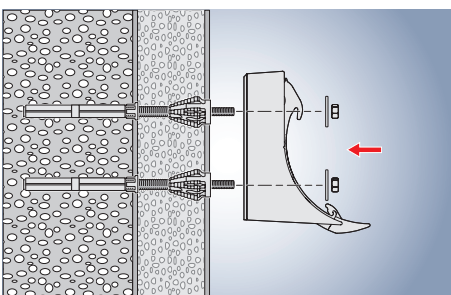
Adaptor plate for rafter bracket
180 x 150 x 15 mm



Mounting plate for rafter bracket
294 x 80 x 15 mm



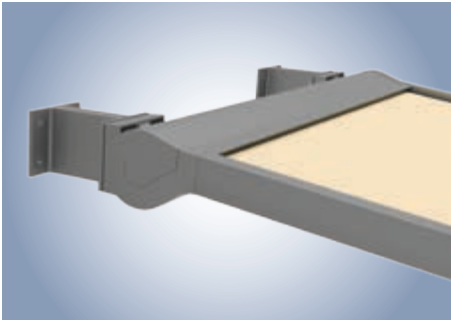
Installation on insulated facades using Fischer Thermax 12/16



The Thermax 12/16 stand-off installation system from Fischer is suitable for insulated facades as it allows for secure fixing.

Special brackets

Installation with stand off bracket

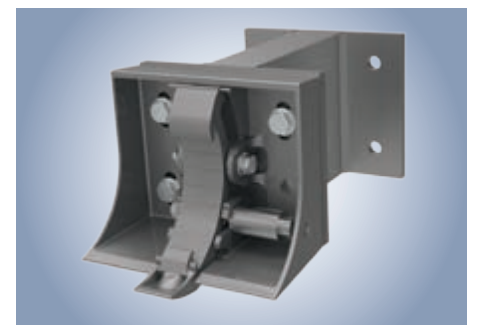
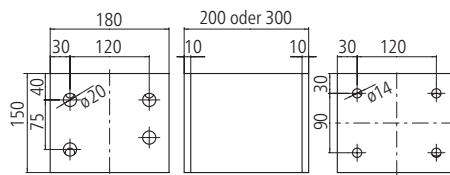


200 to 300 mm gaps can be bridged using the stand off bracket.

Plaza Viva with stand off bracket, e.g. Installation with a pipe

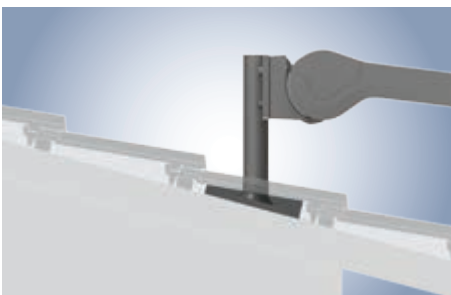


Stand off bracket



Stand off bracket with wall bracket

Installation on a roof using a stilt



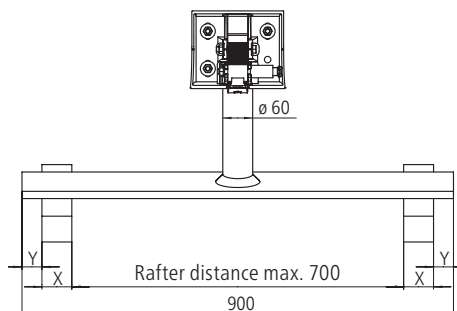
Use of stilt

This special bracket is used for example under roof tiles. The longer plate is mounted under the roof tiles and sealed again on site. This mounting holes are drilled on site after determining the position. Please note:

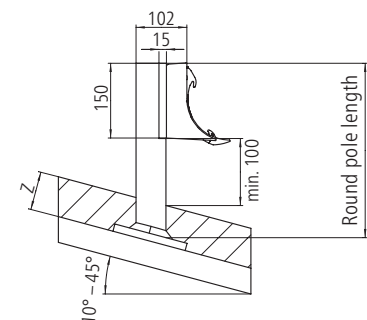
We need the house roof angle and length of the round pole (stilt) to install the stilt.



Three-piece special bracket (mounting plate, stilt, wall bracket)



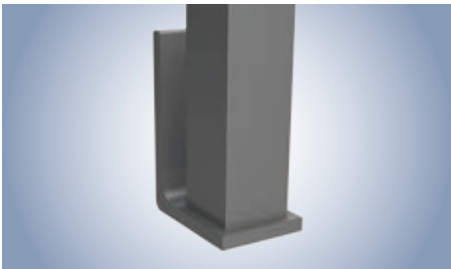
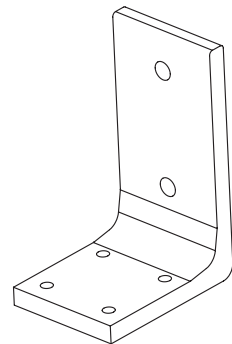
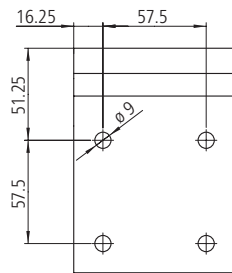
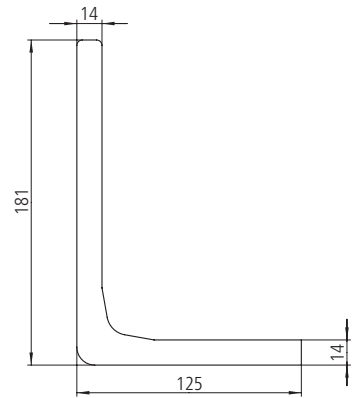
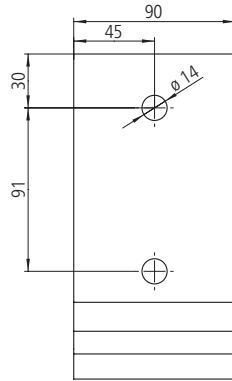
Use for installation on a roof
 X = rafter thickness
 $Y = \text{stilt adjustment range} = (900 - \text{rafter distance} - 2x) / 2$
 Z = height of roof structure (tiles etc. ...)



Plaza Viva – textile pergola awning

Special brackets

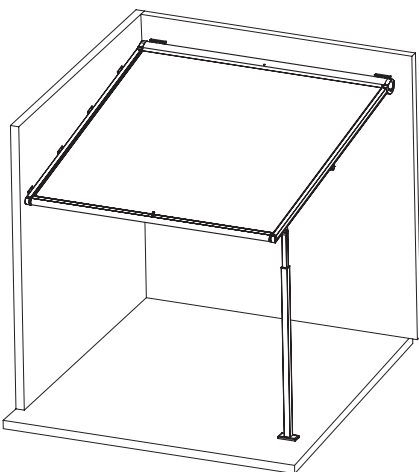
Installation with angle bracket



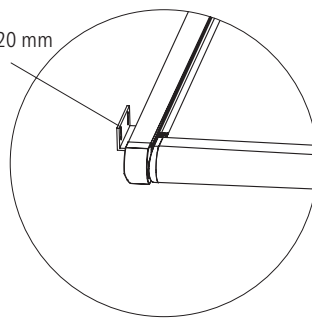
Angle bracket with posts

Other application examples:

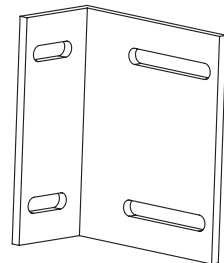
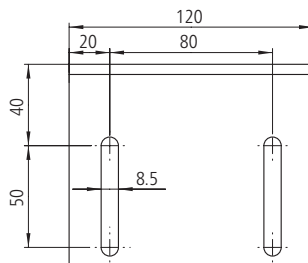
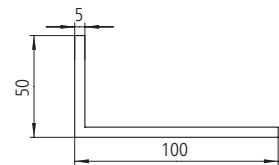
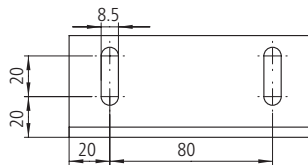
Installation of Plaza Viva laterally on a wall or in a niche



100 x 50 x 5 x 120 mm angle bracket



The Plaza Viva can also be mounted on a lateral wall, niche or next to a Terrazza using the 100 x 50 x 5 x 120 mm wall-mount angle bracket.

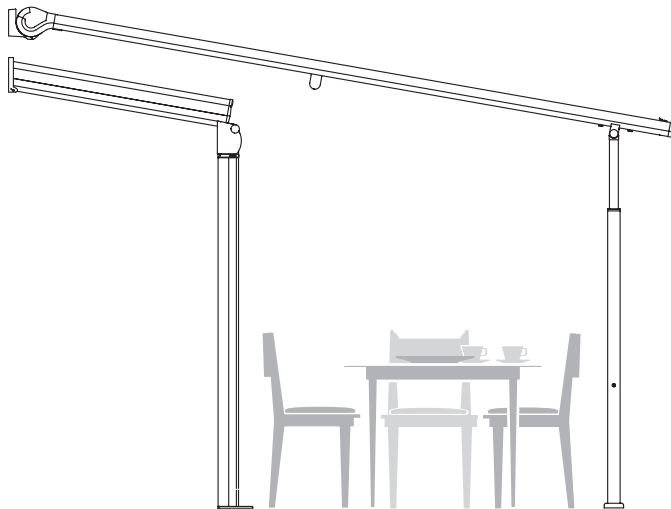


100 x 50 x 5 x 120 mm wall-mount angle bracket

Other application examples:

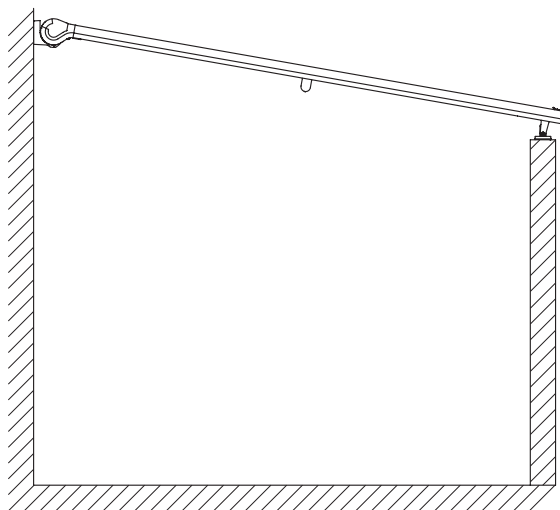
Plaza Viva installation beyond a patio roof and/or conservatory

The Plaza Viva is installed on the wall on site using wall brackets and the projection is extended (the head clearance height must be noted for this). With installation without telescopic posts, the Plaza Viva can also be fixed onto the conservatory using support brackets.



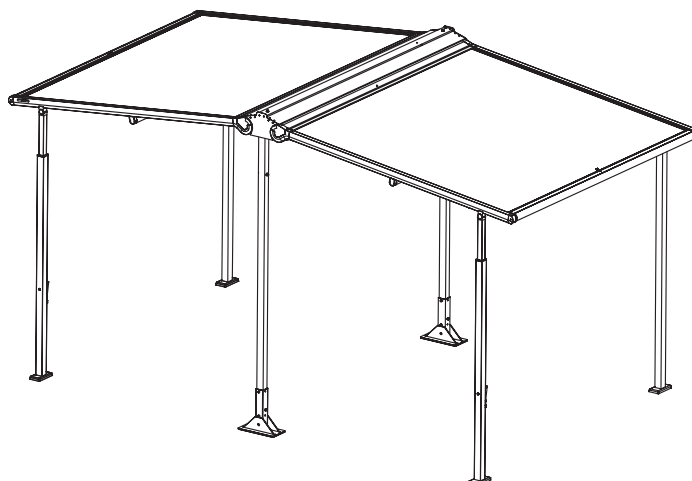
Installation on a wall (without posts)

If there is a wall on the opposite side, it is possible to mount the Plaza Viva onto the wall without posts using adjustable support brackets.



Duofix supporting structure

Two Plaza Viva can be mounted on our Duofix supporting structure to achieve an even larger area of weather protection.



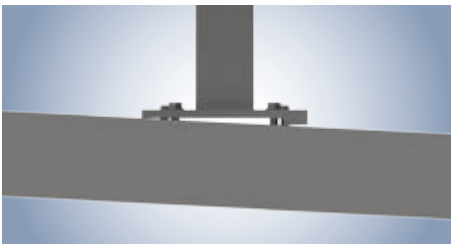
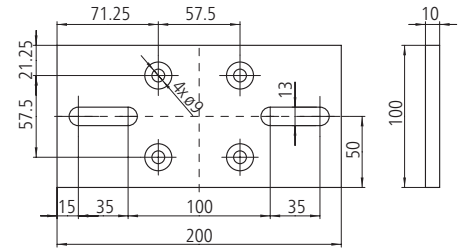
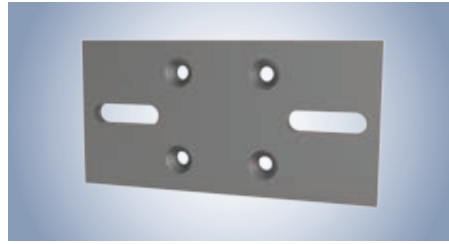
Plaza Viva – textile pergola awning

Other application examples:

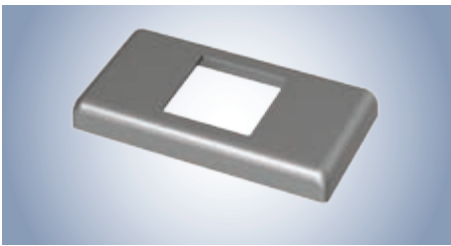
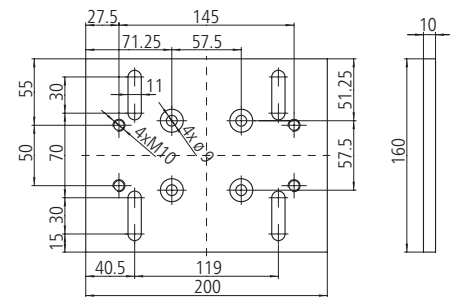
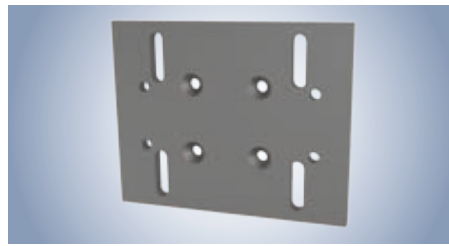
Post installation – standard/adjustable post plates



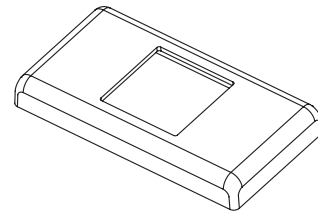
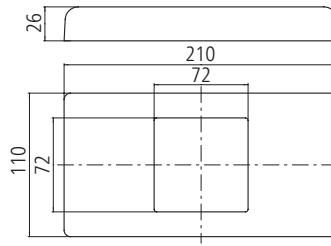
Standard post plate (installation on even ground)



Adjustable post plate/for Krinner screw foundation systems (installation on uneven ground)

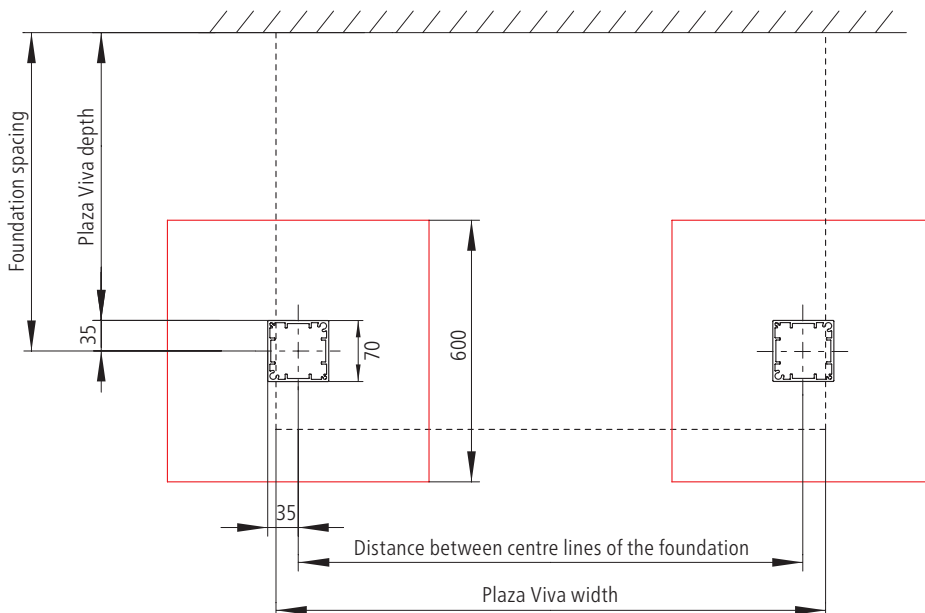


Post plate cover plate



Fixing options for posts

Foundation plan



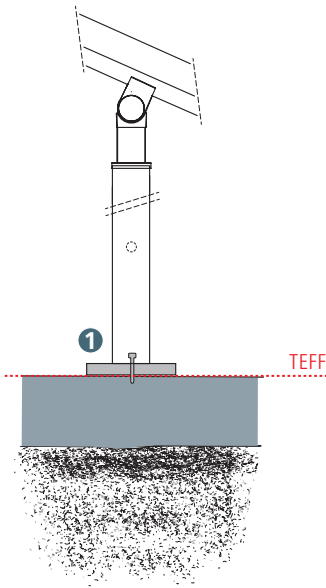
Note

The size of the foundation depends on the quality of the ground, the acting loads and the climate conditions (frost depth). The size specified here assumes unfavourable conditions. A smaller foundation may also be adequate depending on the structural conditions.

Fixing options for posts

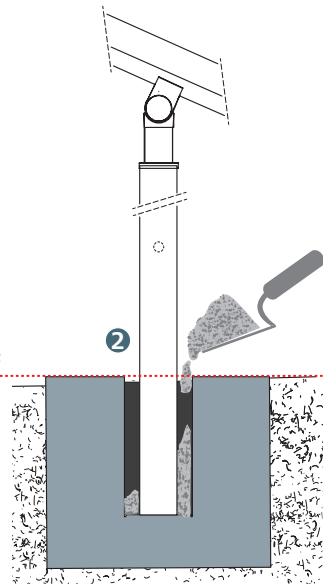
Post fixation on concrete floor slabs ①

The standard configuration is the installation of the Plaza Viva with post plates on a given concrete floor. The finished cut length of the post is always indicated on the assembly sheet.



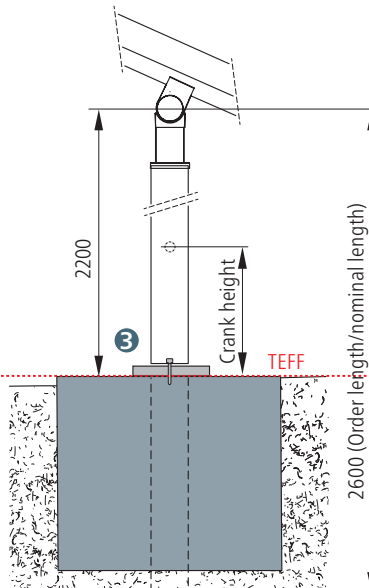
Bucket foundation ②

Posts are securely fitted into a strong non moving base. The concrete is pured and set at the end of the installation, which simplifies the alignment of the posts.



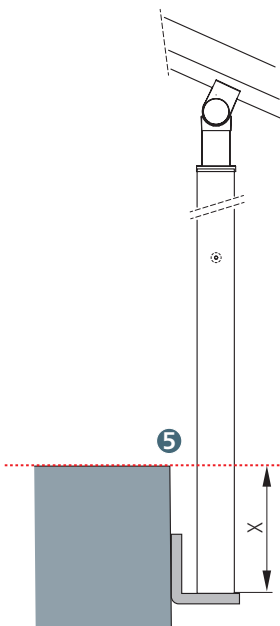
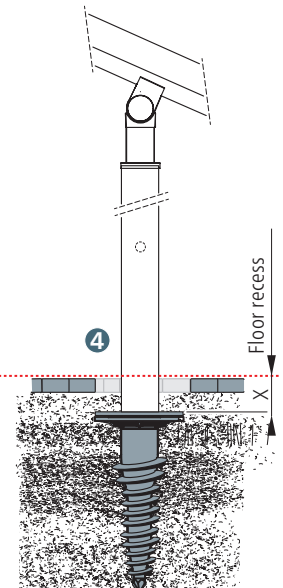
Deep-seated foundation ③

The easy and flexible screw attachment on a 700 (w) x 800 (h) x 700 (d) mm screw foundation is carried out like the standard fixation (item 1). The reference height for the crank position as well as for the post height is always TEFF.



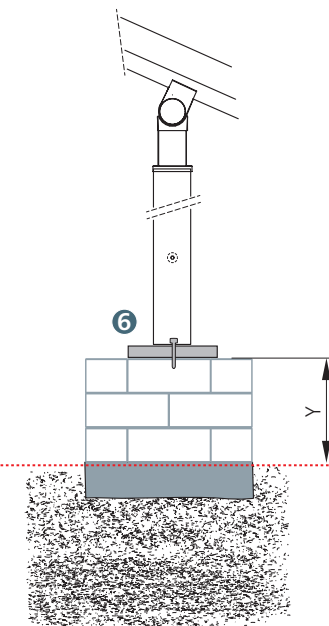
Screw foundation ④

When fixing the posts into soil/earth they are an alternative to conventional foundation fixing. The post length as mentioned on the mounting sheet is increased by the floor level (X).



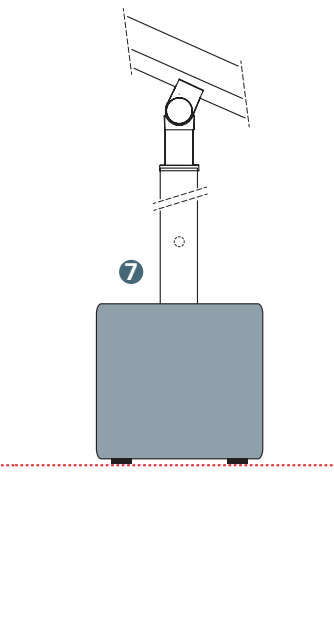
Mounting with angle bracket ⑤

Is suitable, for example, when mounting in front of a balcony or a terrace. The calculated post length is increased by the floor level (X).



Mounting on wall ⑥

When the post is mounted on a wall, the height of the post is reduced by the height of the wall (Y).



Weighted base for posts ⑦

If it is not possible to fix the post into the ground then the base option can be used. For example a public/pedestrian area, indoor installation, or on a balcony.

TEFF: Top edge of finished floor
X: Floor recess
Y: Height wall

47 standard RAL colours



Over 200 modern FRAME COLOURS

Colour manufacturers make every effort to guarantee colour stability. Despite this, as a result of the ban on the use of heavy metals in powder coatings, it therefore cannot be excluded that colours in general, and Fire Red (RAL 3000) in particular, may fade with time. Colours may differ significantly due to the printing process.

Maximum colour safety: weinor has over 200 different frame colours for you to choose from. You can choose from diverse colours which harmonise with the architecture.

Identical colours – for a perfect match

As weinor does all the powder coating in its own workshop, you can also rest assured that different weinor products come with the same top-class colour tonality and identical gloss level.

Choose from an abundance of high-quality colours:

- 47 standard RAL frame colours, silk gloss
- 9 scratchproof, resistant trend colours with an elegant textured look (standard)
- over 150 special RAL colours

RAL 8003
Clay brown

RAL 6012
Black green

RAL 1002
Sandy yellow

RAL 1015
Light ivory

RAL 1003
Signal yellow

9 trend colours

WT 029/10797
Approx.
RAL 9010

WT 029/80081
Iron glimmer
effect P7

WT 029/80077
Approx.
DB 703 metallic

WT 029/71289
Approx.
RAL 7016

WT 029/90146
Approx.
RAL 9006 metallic

WT 029/50704
Approx.
RAL 6009 metallic

WT 029/90147
Approx.
RAL 9007 metallic

WT 029/70786
Sparkling iron
effect

WT 029/60740
Chestnut 04
metallic

The **FABRIC** makes the awning

Breathtakingly beautiful and long-lasting: our wide range of fabric patterns brings a cosy atmosphere outdoors – strictly according to your individual taste.

Attractive awning fabrics to suit every taste



my collections®, weinor’s new fabric range consists of 3 different colour ways with a total of 143 patterns in total.

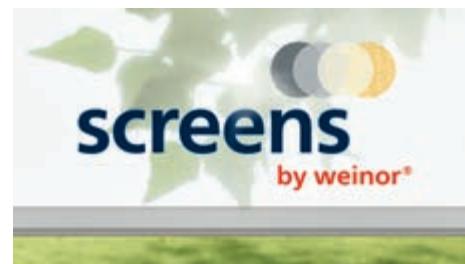
weinor fabrics are made from polyester or acrylic and are spinneret dyed. This guarantees outstanding durability, consistently radiant colours and great UV resistance.

Thanks to the Teflon fabric coating and state-of-the-art nanotechnology, the surface is resistant to oil, water, dirt and prevents rot.

my collections is also impressive in terms of environmental compatibility. The fabrics do not contain any substances harmful to health and they meet all the required environmental standards.

More information at:
www.weinor.com/fabric_qualities

Vertical sun protection with a crystal-clear view



weinor external screens effectively protect both the indoors and outdoor spaces from overheating, whilst giving superb sun protection. They can also offer privacy from prying eyes. We recommend the screens by weinor® collection for this application.

It includes four different, high-quality fabrics, StarScreen, Perluca, Soltis® and fibreglass screen. They all offer perfect sun protection and privacy for windows, the patio and balconies. Different degrees of transparency and how much air is let through are possible, depending on requirements.



momentum

MODERN GREYS



mélange

MODERN BEIGES



not crazy.

MODERN COLOURS

momentum, mélange and not crazy.

Choose your favourite pattern from the 3 well selected colour ways. Whether it's timeless neutral, harmonious or creative trends – we have the right material and matching colour for every taste.



my collections

High-quality awning fabrics



Premium quality
made in Germany



Awning



Awning
with Valance Plus
and Tempura



Awning
with Valance Plus
and Paravento



Pergola awning
Plaza Viva
and Paravento



Pergola awning
weinor PergoTex II
and Tempura



Pergola awning
weinor PergoTex II
with VertiTex II



Terrazza
patio roof
with Sottezza II
sun protection



Terrazza patio roof
with lateral SUPER LITE
fixed glazing



Glasoase® with
conservatory awning
WGM Top and full glass
sliding door w17 easy

AWNINGS

PERGOLA AWNINGS

CUSTOMISED, SYSTEMISED SOLUTIONS

PATIO ROOFS AND GLASOASE®

We reserve the right to make technical changes. For technical reasons, the colours may appear slightly different when printed.

0/0218/122565-0000 Z

